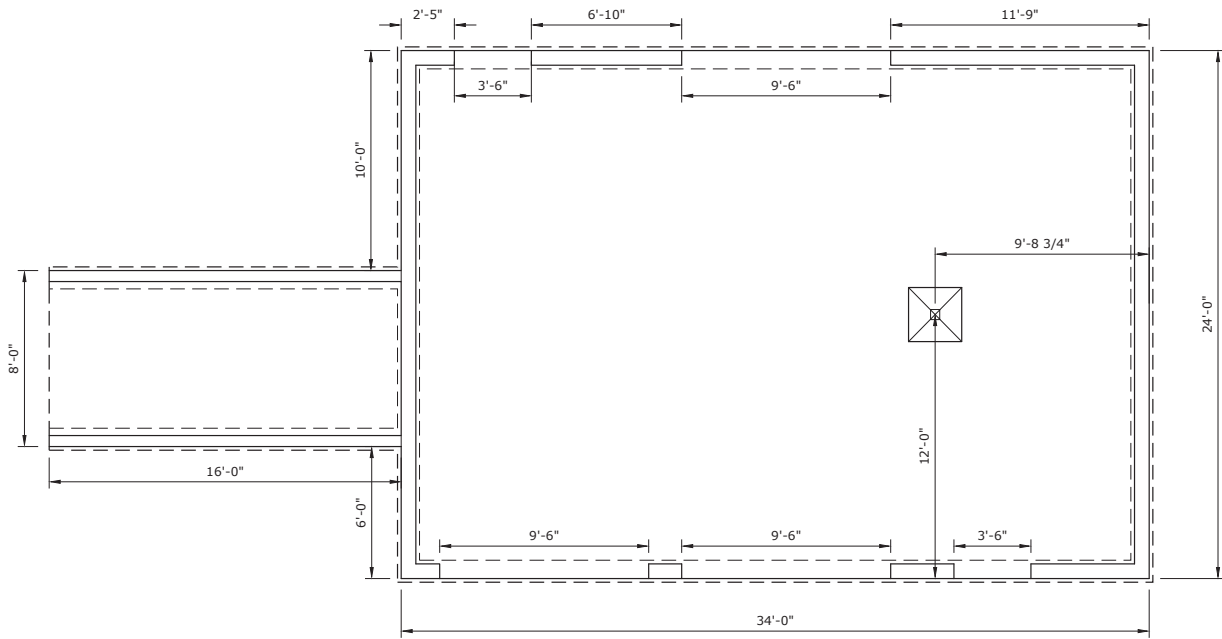
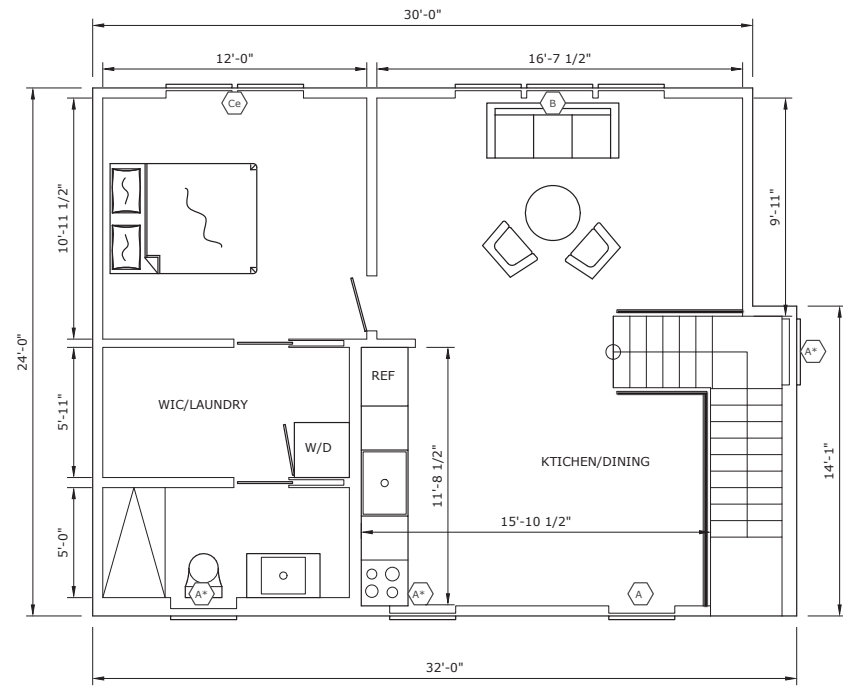


1/4"=1'

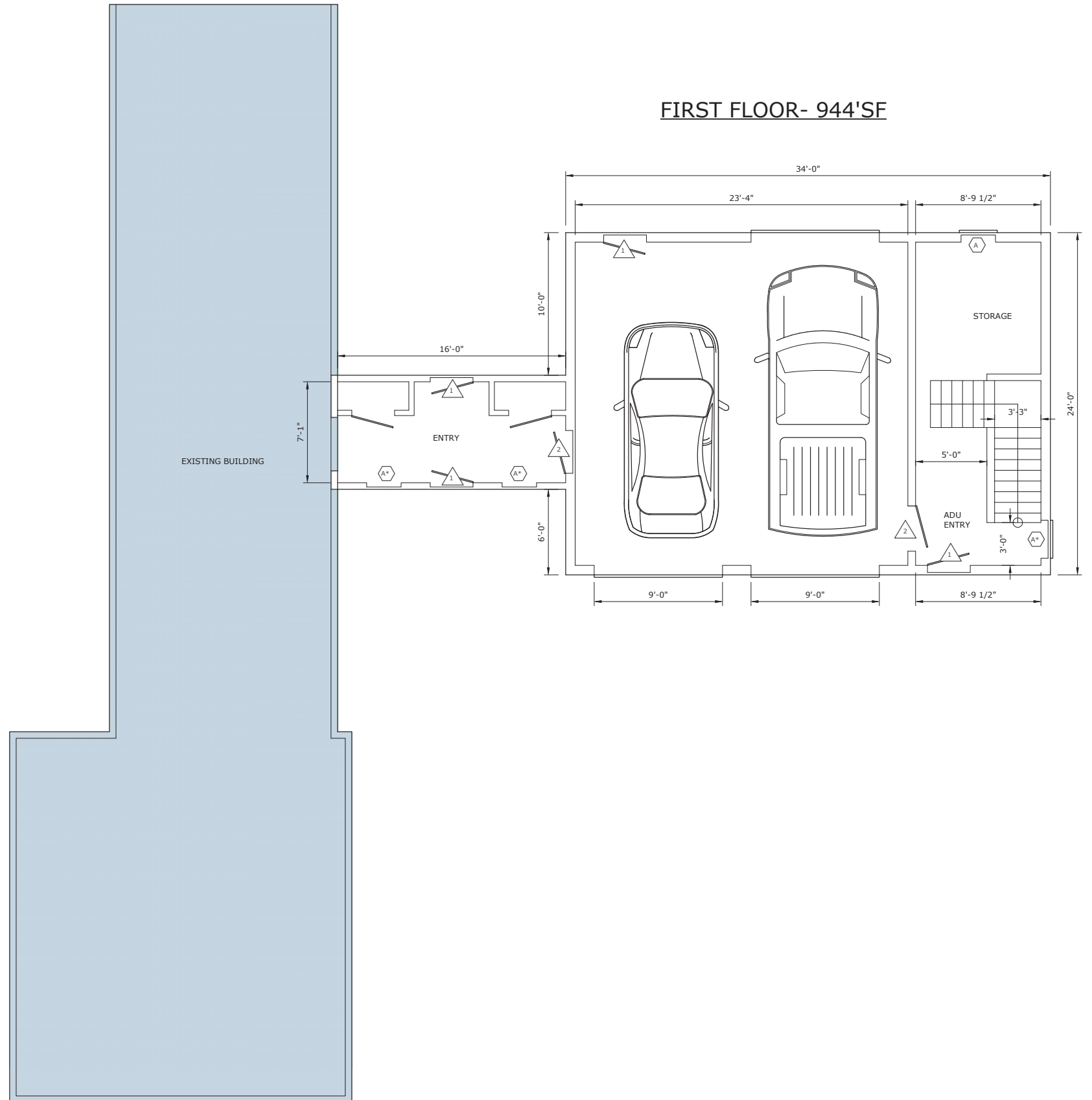
FOUNDATION- 150'LF



SECOND FLOOR- 720'SF

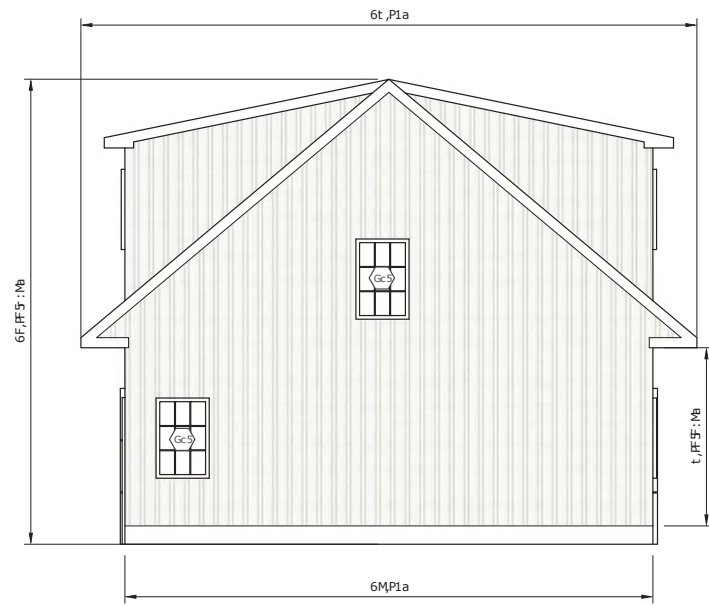


FIRST FLOOR- 944'SF



F:MayF,

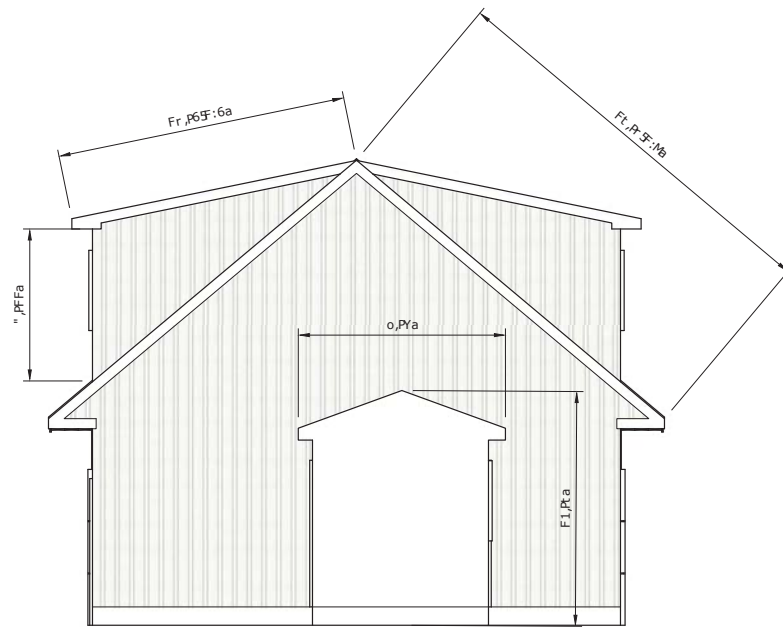
ns upW5TmTdGpis X5



C Tnp5TmTdGpis X5



Xs_pW5TmTdGpis X5

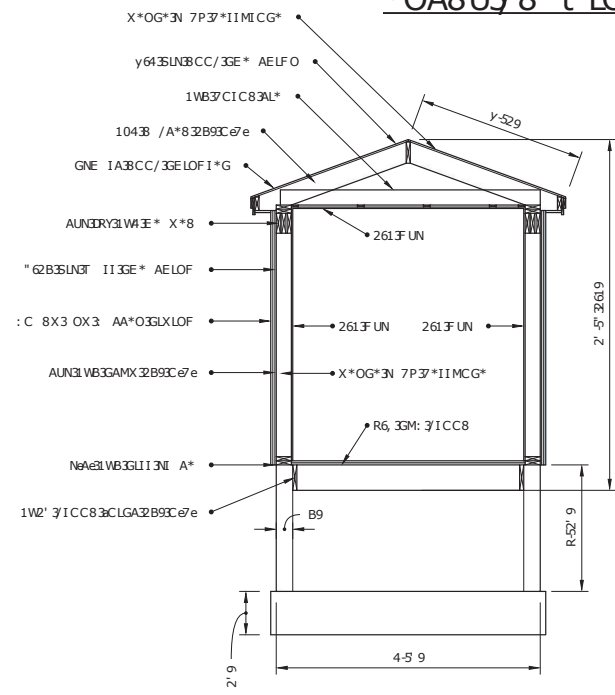


TGnp5TmTdGpis X5

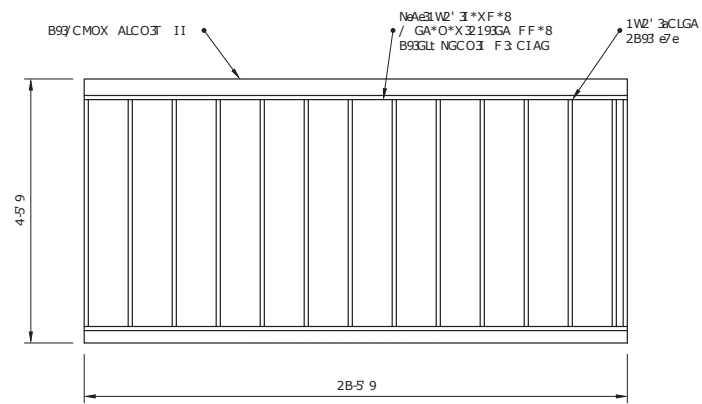


R649C2-

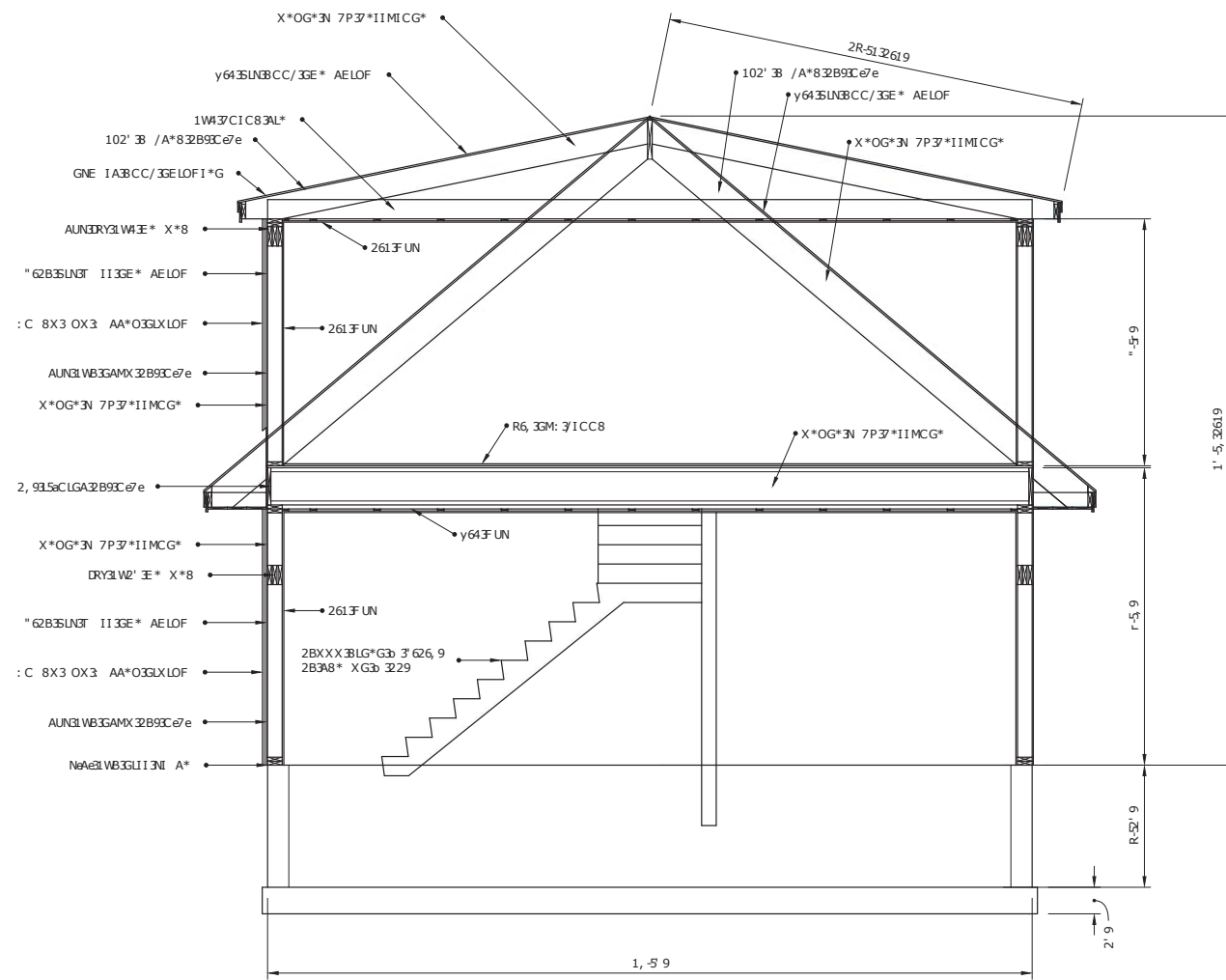
*O A8U3/8 t LOF 3G*7ALCO



*O A8U3/ICC83/8 t LOF



F 8 F*3/8 t LOF 3G*7ALCO



G*7COX3/ICC83/8 t LOF

