

**APPLICATION FOR PERMIT TO INSTALL A DRIVEWAY CULVERT OR
ENCLOSING A SIDEDITCH WITH A DRAINAGE PIPE**



1192 Grill Road
Van Wert, Ohio 45891
PH: (419) 238-0210
FAX: (419) 238-6372

To:

Date: _____

Application is hereby made by: _____

Location of installation: _____

Type of work & complete location: _____

Along/Across CR# _____, _____ Township. Work will commence on or about _____, and will require _____ days.

I / We agree to the following conditions:

- 1) The diameter, slope, length, or location of all Driveway Pipe Culverts and/or Ditch Enclosure Pipes shall be determined by the Auglaize County Engineer prior to installation. A county engineering staff employee will visit the site once an attempt to file a Permit is made and shall make a determination on the installation.
- 2) Driveway Pipe Culverts and/or Ditch Enclosure Pipes shall be installed parallel to the road Right-of-Way line and will be located approximately 6 to 8 feet from the edge of the pavement (TYPE 1 Installation) or will be located 8 to 10 feet from the edge of the pavement (TYPE 2 Installation). If these conditions cannot be met, call the County Engineer's Office in order to solve the problem or address the situation.
- 3) Final ground elevation shall maintain a minimum of 1/2 inch per foot of fall sloping away from the edge of pavement to the centerline of the installed Driveway Pipe Culvert and/or Ditch Enclosure Pipe.
- 4) Any drainage tiles encountered will be repaired or replaced and any drainage problems arising from this installation will be the responsibility of the applicant hereafter.
- 5) That traffic will be maintained at all times, unless permission is granted by the County to temporarily close the road. It shall be the responsibility of the applicant to contact the Van Wert County Sheriff's Office about pending work that may cause a disturbance to in-season school bus routes, safety, fire and rescue services, or ambulatory services.
- 6) That lights, signs barricades and, if necessary, flagmen and watchmen, will be placed on the job for the protection of traffic at all times, day and night, during the time this work is being done and that instructions given by the County, as to handling of traffic, will be fully complied with.
- 7) That disturbance to road surface and shoulders will be kept at a minimum and that post excavation will be backfilled with gravel and tamped, so that settlement of material will be minimized. If settlement does occur, additional suitable material will be put into place and compacted.
- 8) That the road surface at the post excavation will be replaced with material of the type that was removed (or other material suitable to the County) and that the new surface will conform to the grade of the undisturbed surface.
- 9) If, in the future, improvements or relocations are made to any of the above portions of County Roads, it will be the financial responsibility of the applicant or new owners to move or relocate such installations at the request of the County.
- 10) That I/We assume the responsibility for and will save the County harmless from any and all claims for personal injuries and property damages, and shall defend any action that might be brought due to this work.
- 11) **All driveway culverts and ditch enclosure pipes must be either reinforced bell & spigot concrete pipe, smooth-wall steel casing pipe, or smooth-wall polyethylene plastic pipe. Single wall plastic field tile, PVC pipe, recycled 55 gallon drums, etc. are prohibited.** Phone numbers & addresses of all pipe dealers and/or suppliers can be obtained from the County Engineer's Office.
- 12) **IT IS REQUIRED THAT YOU CALL THE OHIO UTILITIES PROTECTION SERVICE (OUPS) AT LEAST 48 HOURS BEFORE YOU DIG. CALL 1-800-362-2764**

Applicant to notify the County Engineer before starting construction.
Phone: 419-238-0210

SIGNED: _____
ADDRESS: _____

PHONE: _____
EMAIL: _____

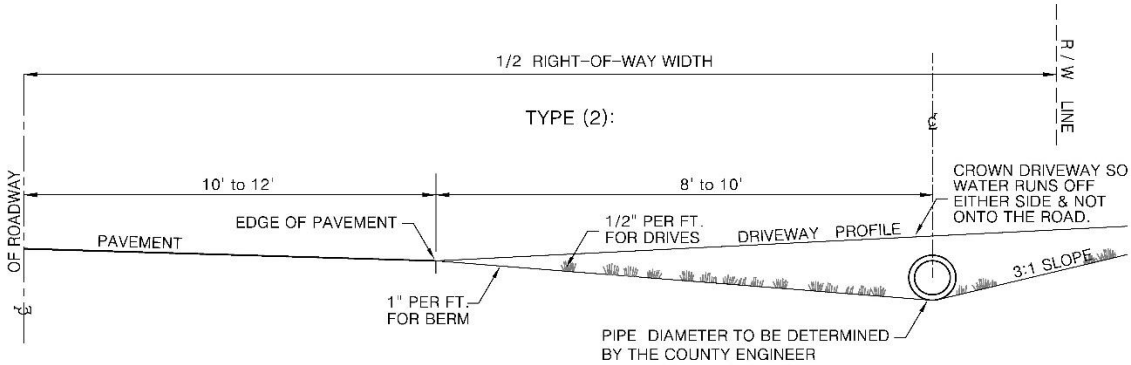
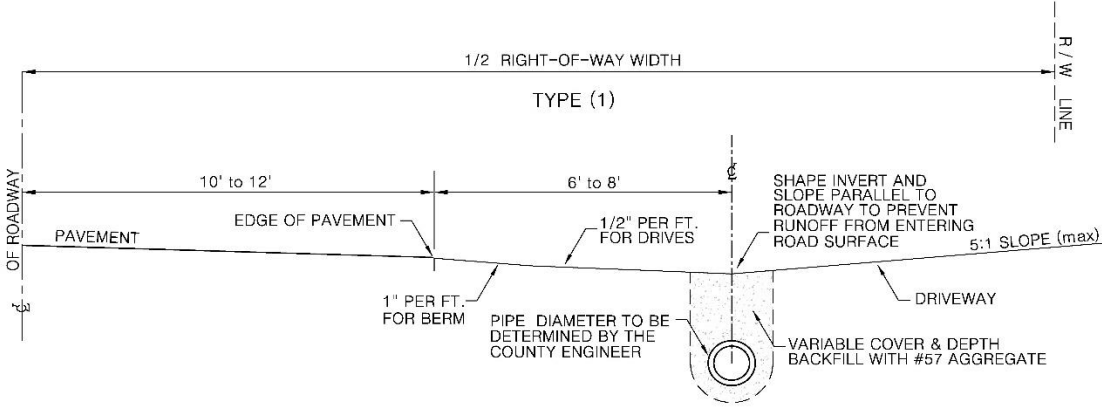
Permit to do this work under the conditions stated above is hereby granted.

Date: _____

11/8/2021

Van Wert County Engineer

DRIVEWAY CULVERT PIPE INSTALLATION



DITCH ENCLOSURE PIPE

