



Town of Twisp

118 S Glover St • Box 278 • Twisp, WA 98856 • 509-997-4081 • 509-997-9204

Project: Art installation for panels on Twisp Civic Building

Posted: December 11, 2024

Who Calls: Twisp Creative District

Contact Email: twispcreativedistrict@townoftwisp.com

Website: [Town of Twisp](https://www.townoftwisp.com)

Location: Twisp, WA

Eligibility: This RFP is open to all artists, regardless of geography or experience, though we encourage local and BIPOC artists to apply.

Project Scope: Artists or artist groups are invited to submit proposals for an art installation on the Twisp Civic Building (see photos of area on the bottom of this call) and samples of previous work; budget for all aspects of the project including design, fabrication, and installation is \$30,300, plus lodging will be provided for artist/s if needed. There are 4 total panels that will hold the installation, 2 upper panels 44 3/4 (H) x 85 1/2 (W) and 2 lower panels 66 3/4 (H) x 85 7/16 (w), see drawings below. The measurements are the interior of the frames that are already fabricated and installed on the building.

Due to our climate, including hot dry summers and cold snowy winters, all materials used must be durable and withstand being outdoors year round. Panels are attached to the civic building and all installations that will be considered for this project must allow light into the windows, on the bottom frames (larger frames), that sit behind the panels (see photos below) and be securely welded or bolted to the frames. Upper frame artwork (smaller frames) does not need to allow light through since there are no windows backing those frames.

Anticipated Timeline: RFP posted December 11, 2024, Submission cut off January 27, 2025, Selection Committee interviews with finalists February 3, 4 2025, Final decision February 10, 2025. Artwork must be installed on or before May 30, 2025.

About Twisp: the heart of the Methow Valley. Twisp is located in rural North Central Washington at the foothills of the North Cascades. Twisp prides itself on blending its funky, artistic spirit with its rural working class character. [Click here for a brief history of Twisp.](#)

About the Twisp Creative District: The Twisp Creative District will work towards increasing vitality and livability by promoting and supporting the contributions made by the creative economy, local businesses, and cultural industries within the town of Twisp.

Your submission must include all items as requested below:

- Statement of Interest: Please submit any information that makes you a strong candidate for this project. Please address the following in your statement.
- biographical information: anything about your past or present self that is useful for us to know
- geographical connection: explain any connection or interest you have in relation to Twisp
- achievability and experience: illustrate relevant experience in design, execution and community/municipal projects
- Work Samples: Please include to 3 to 5 favorite work samples that visually demonstrate your qualifications (these may include projects both completed and proposed) - feel free to include project name, date, location and any relevant narrative that may be useful to our understanding of the content.
- Relevant digital media for yourself or artist group, Instagram, website etc.
- Proposal for art installation
- Please submit the above in a single PDF.

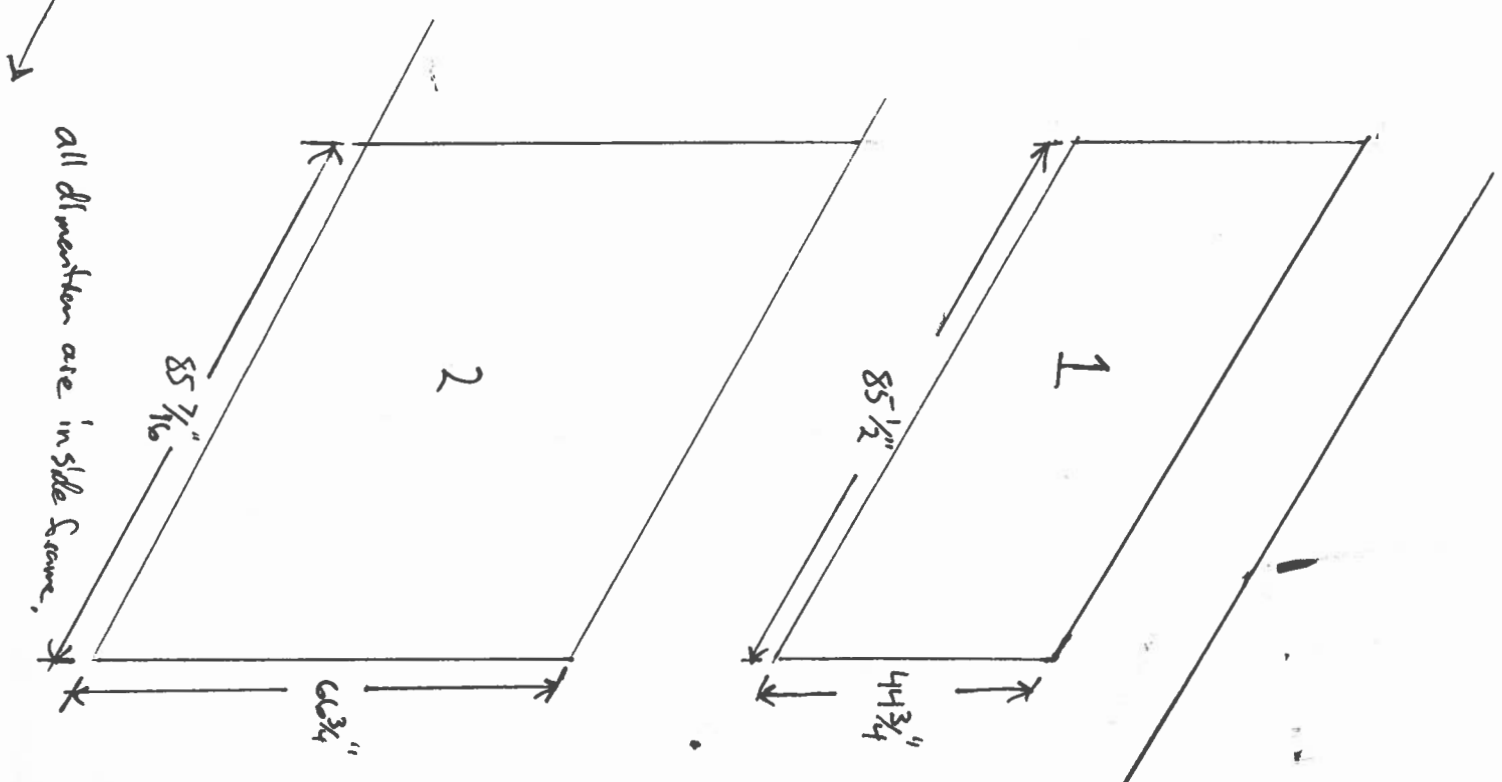
Submit proposals no later than January 27, 2025 to twispcreativedistrict@townoftwisp.com.

If you have questions about this RFP or the scope of the project, please email Sarah Lightner at director@methowarts.org.



Glove side

All dimensions are inside frame.



3rd Ave side

