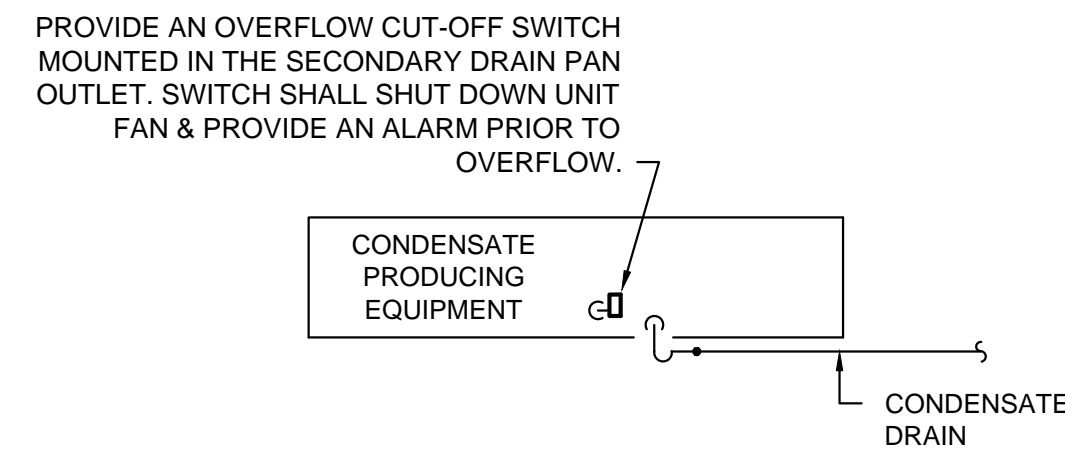
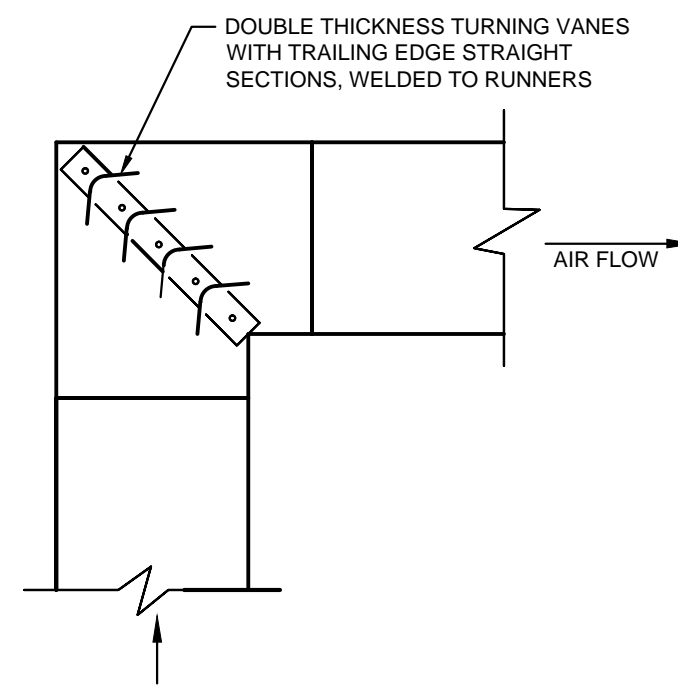


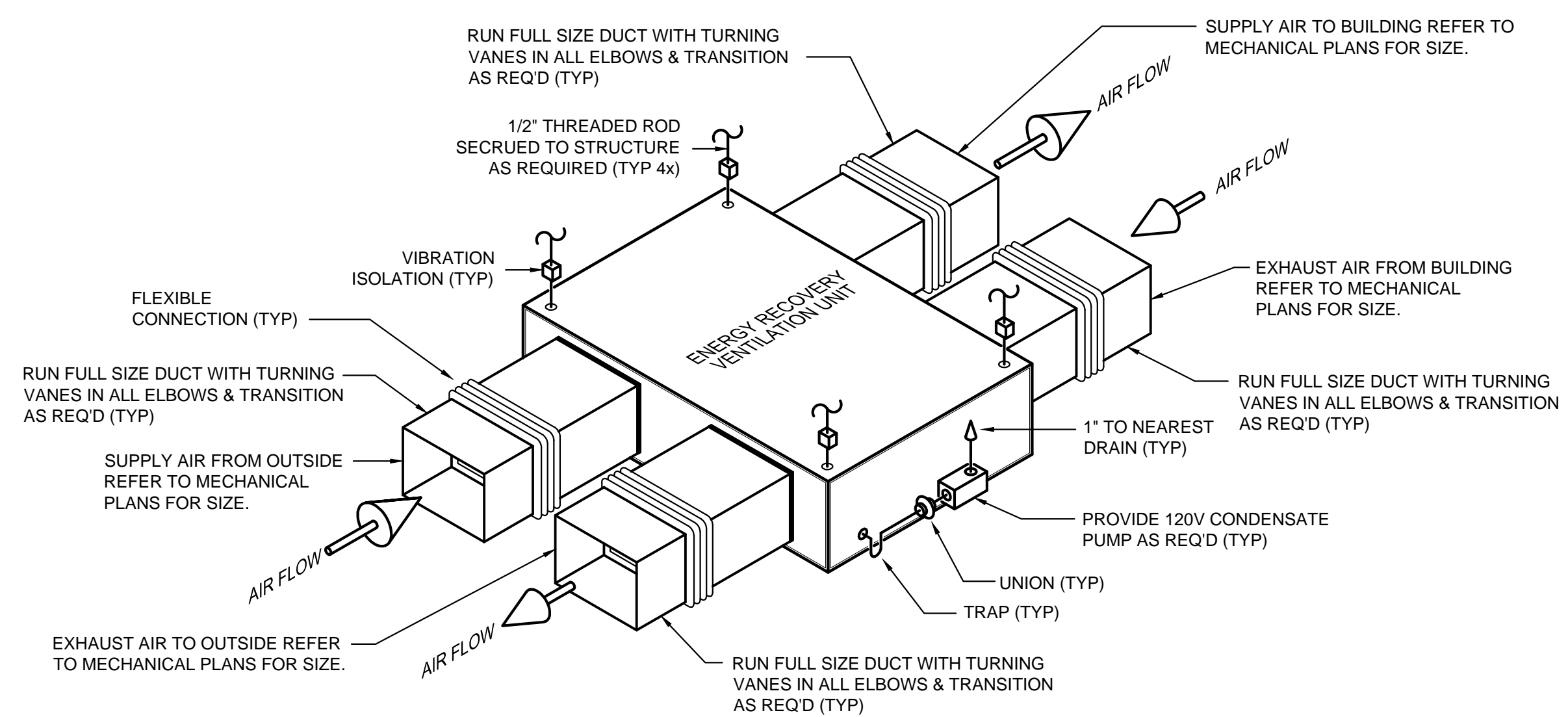
**CONDENSATE PIPING DETAIL**  
NO SCALE



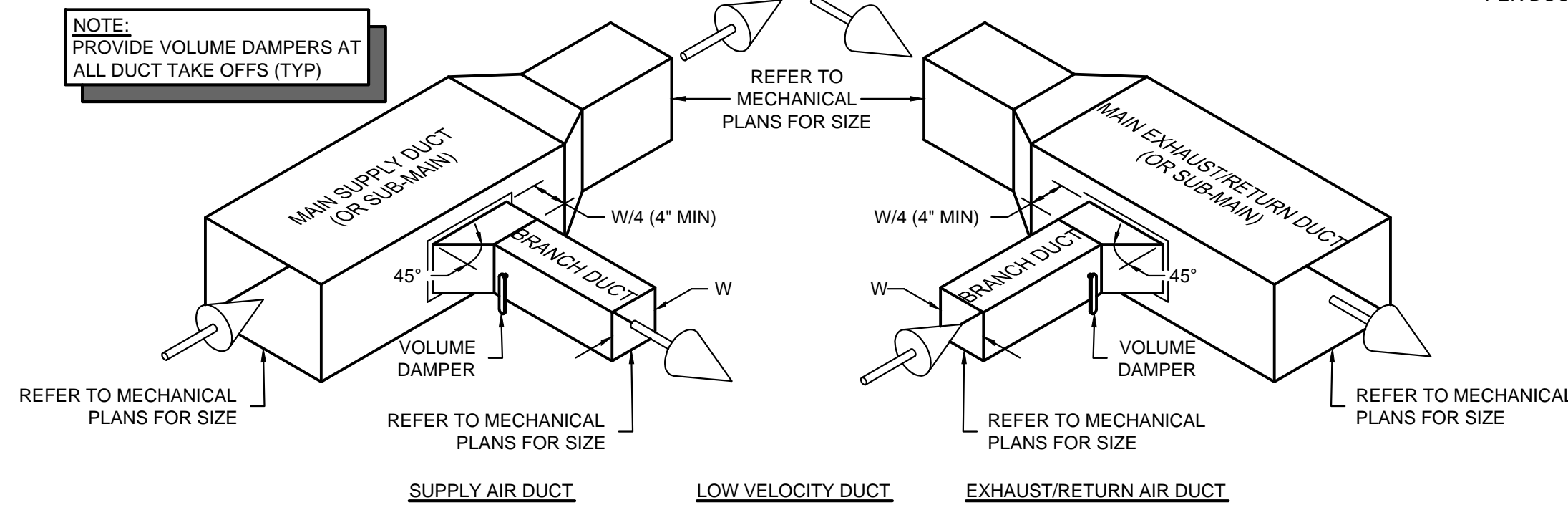
**TYPICAL OVERFLOW CUT-OFF SWITCH DETAIL**  
NO SCALE



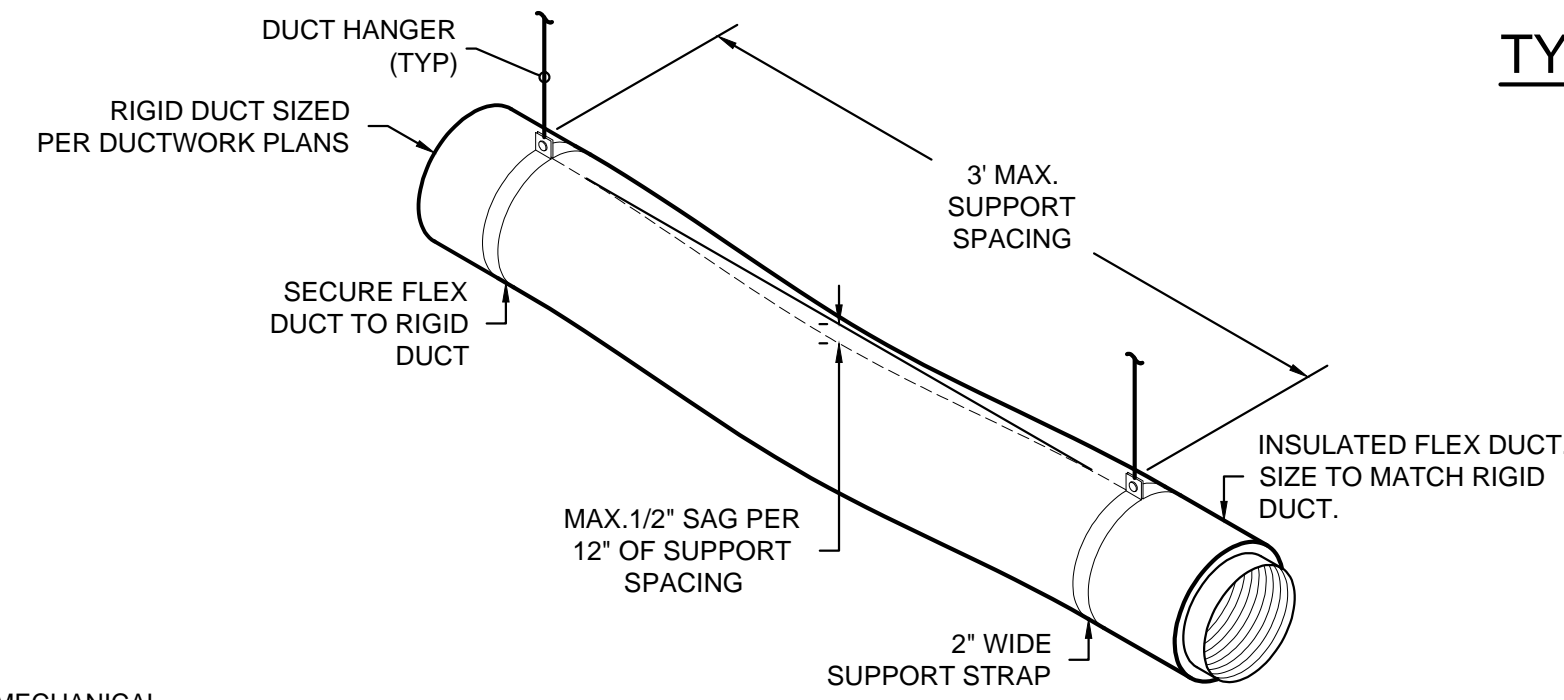
**TYPICAL SQUARE ELBOW**  
NTS



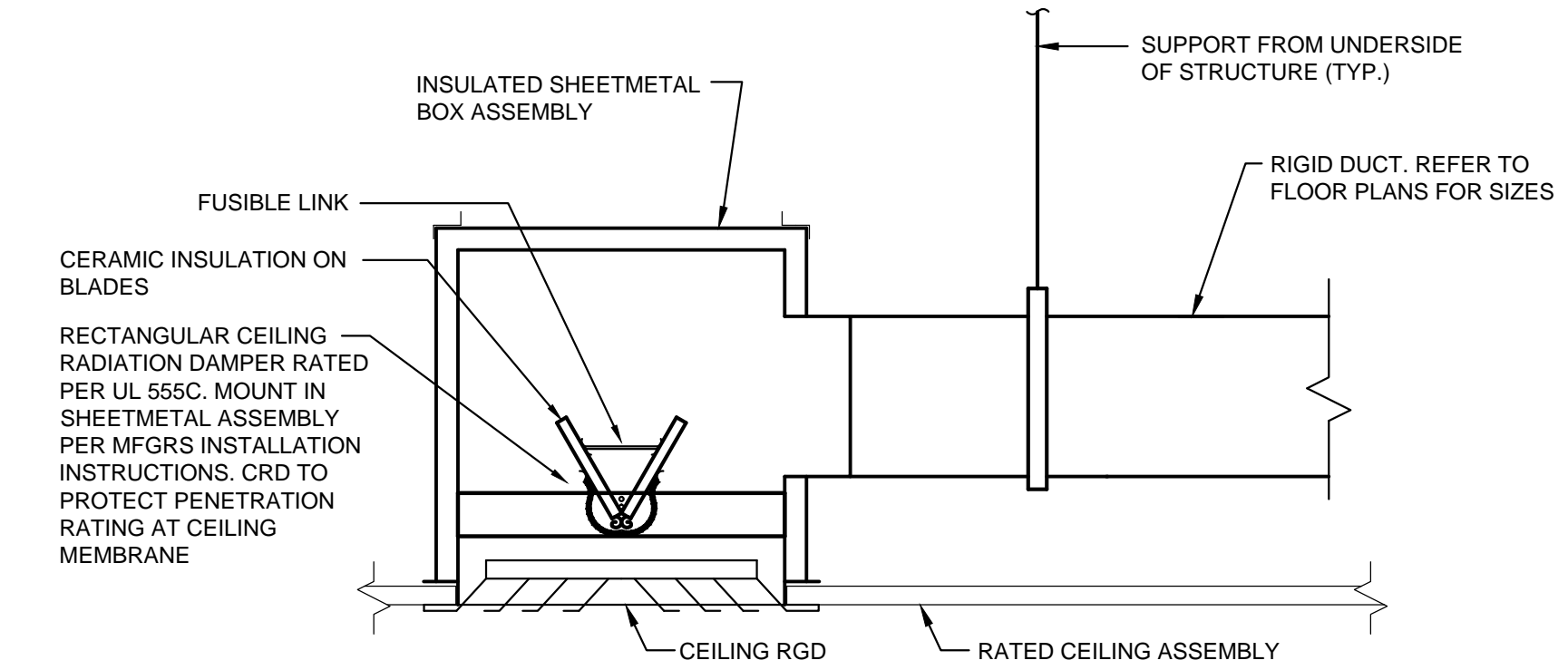
**TYPICAL ENERGY RECOVERY VENTILATION UNIT DETAIL**  
NO SCALE



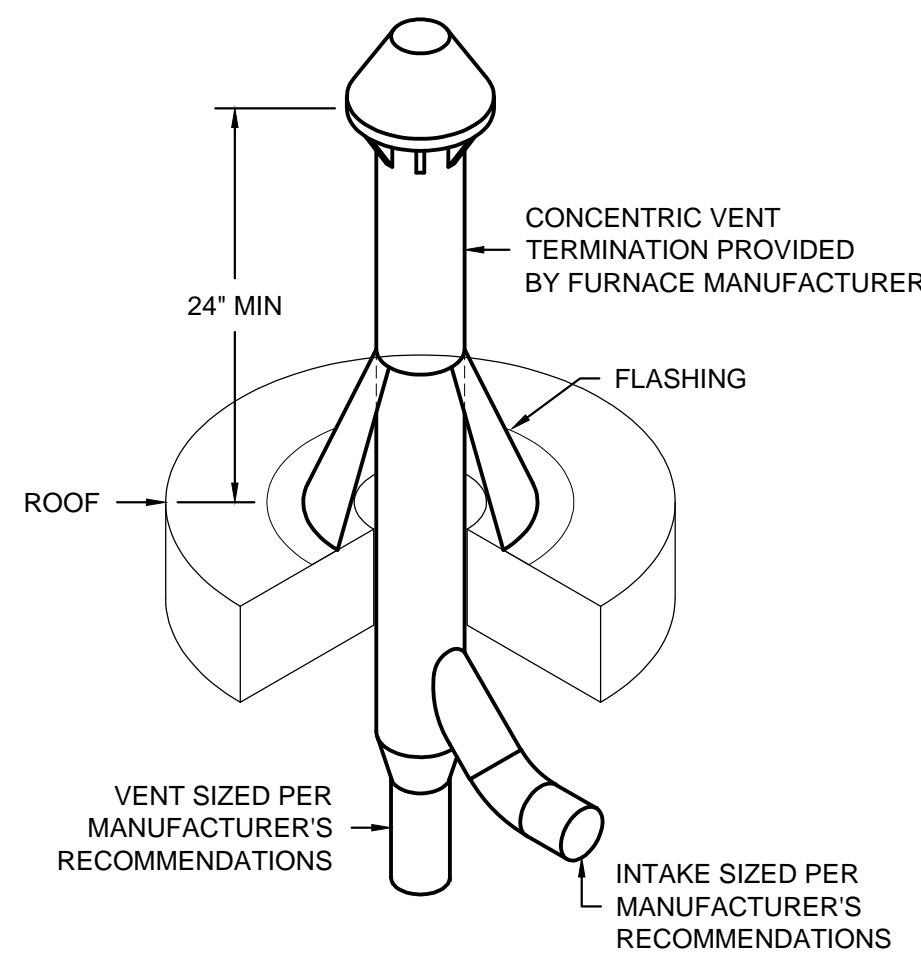
**BRANCH DUCT CONNECTIONS**  
NO SCALE



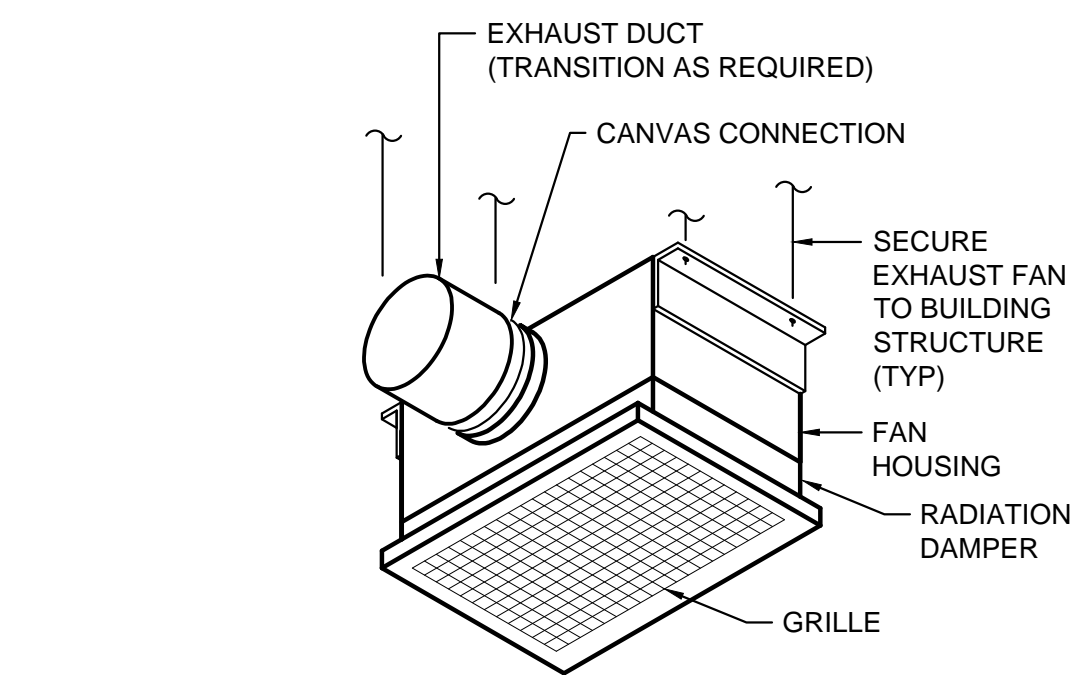
**TYPICAL FLEX DUCT SUPPORT DETAIL**  
NTS



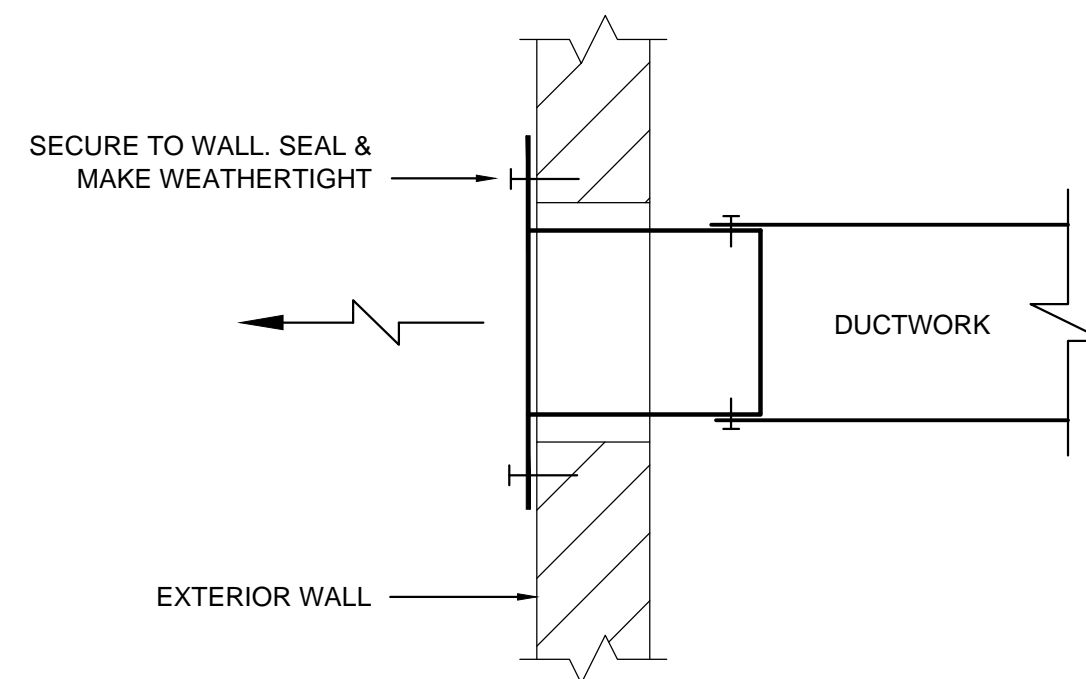
**TYPICAL CEILING RADIATION DAMPER BOX ASSEMBLY DETAIL**  
NTS



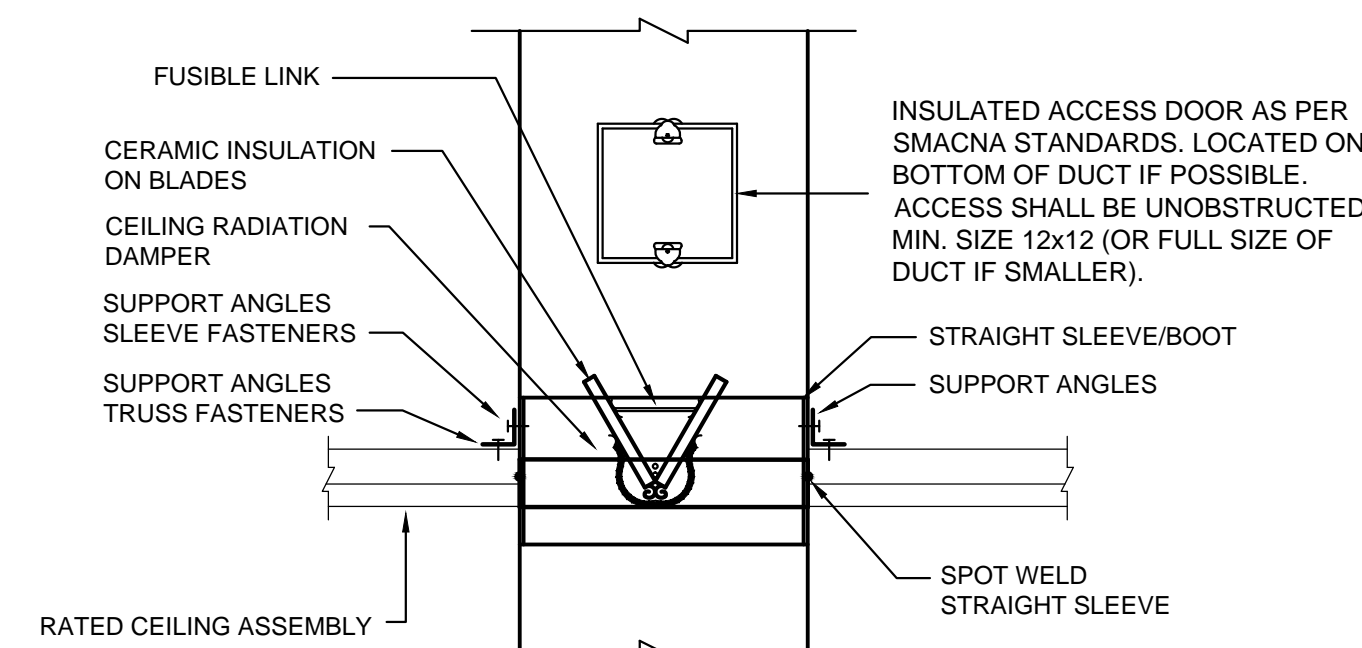
**DIRECT VENT TERMINATION DETAIL**  
NTS



**CEILING EXHAUST FAN DETAIL**  
NO SCALE



**WALL LOUVER DETAIL**  
NO SCALE

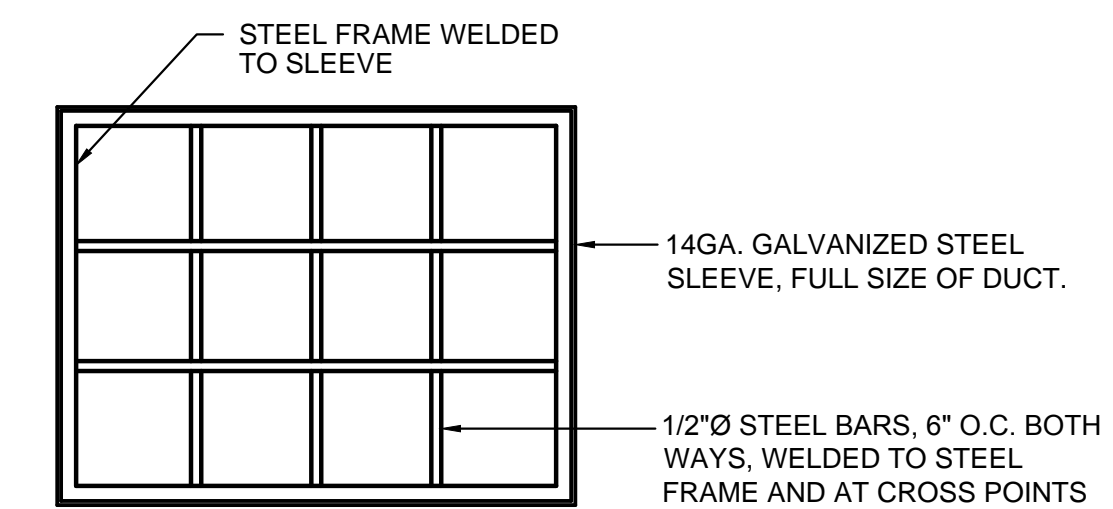


**TYPICAL CEILING RADIATION DAMPER IN DUCT DETAIL**  
NTS

RADIATION DAMPER SHALL BE INSTALLED PER THE MANUFACTURER'S U.L. INSTALLATION INSTRUCTIONS.

RADIATION DAMPER SUBMITTAL SHALL INCLUDE THE FOLLOWING:  
1. PRODUCT DATA.  
2. U.L. INSTALLATION INSTRUCTIONS.  
3. INSTALLATION DETAILS SPECIFIC TO PROJECT CONDITIONS.

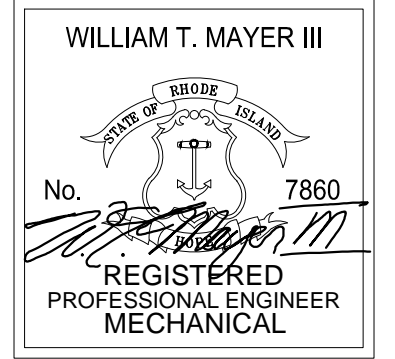
A COPY OF THE SUBMITTAL SHALL BE KEPT AT THE JOBSITE AND DISTRIBUTED TO PERTINENT SUBCONTRACTORS, INCLUDING, BUT NOT LIMITED TO DRYWALL AND MASONRY CONTRACTORS.



**DUCTWORK BURGLAR BARS DETAIL**  
NO SCALE

NOTE:  
1. BURGLAR BAR ARRANGEMENT SHALL BE COMPLETELY FACTORY FABRICATED AND SUITABLE FOR INSTALLATION IN DUCTED SYSTEMS (EQUAL TO PRICE MODEL MSBG).  
2. SECURITY BARS TO BE INSTALLED IN ANY DUCT WITH DIMENSIONS GREATER THAN 8" THAT PENETRATE THE ROOF.  
3. WHERE DUCTS, REGISTERS, GRILLES, DIFFUSERS & OTHER OPENINGS GREATER THAN 96 SQ. INCHES OR DUCTS WITH ANY DIMENSION GREATER THAN 8 INCHES PENETRATE THE DETENTION, PROCESSING & SECURE AREAS, THEY SHOULD BE EQUIPPED WITH A SCREEN CONSTRUCTED OF 9 - GAUGE EXPANDED METAL SECURELY BOLTED OR RIVETED TO THE SIDES OF THE OPENING.

CERTIFICATION :



THIS DRAWING IS A PART OF AN INTEGRATED SET OF CONSTRUCTION CONTRACT DOCUMENTS. REFER TO ALL DRAWINGS AND SPECIFICATIONS INCLUDING BUT NOT LIMITED TO "GENERAL CONDITIONS" "SUMMARY OF WORK", AND ANY APPLICABLE MANUFACTURERS TECHNICAL SPECIFICATIONS.  
REFER TO ALL DRAWINGS FOR COMPLETE SCOPE OF WORK.  
THIS DRAWING IS NOT TO BE SCALED OR USED AS AN AS-BUILT.

REV. NO.	DATE	DESCRIPTION

**ENGINEERING DESIGN SERVICES INCORPORATED**  
141 Industrial Highway Slatersville, RI 02876  
Tel (401) 765-7659 Fax (401) 765-2984

**SCITUATE POLICE STATION**

SHEET TITLE:  
**MECHANICAL DETAILS**

JOB NO.: 19349MU  
DRAWN BY: KB  
CHECKED BY: WM  
DATE ISSUED: 03.12.2020  
SCALE: AS NOTED

SHEET NO.:  
**M2**