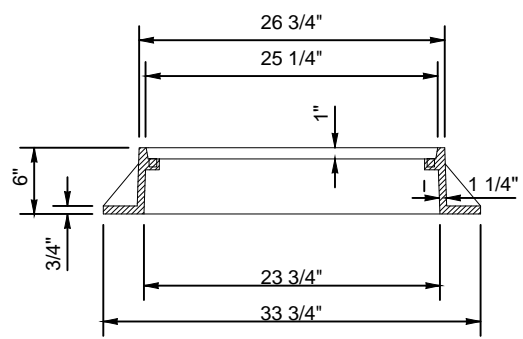


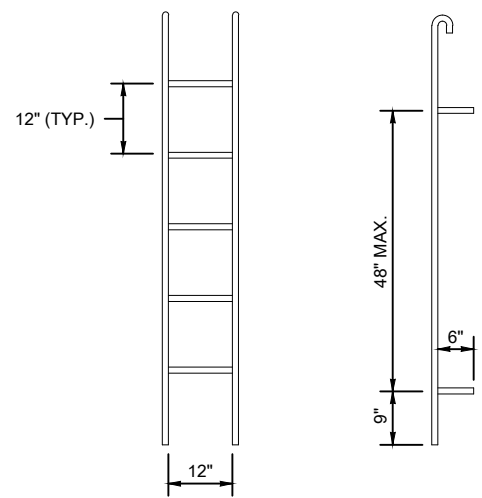
STEP DETAIL

LADDER RUNGS FOR MANHOLES AND CATCH BASINS SHALL MEET THE REQUIREMENTS OF AASHTO M 199.

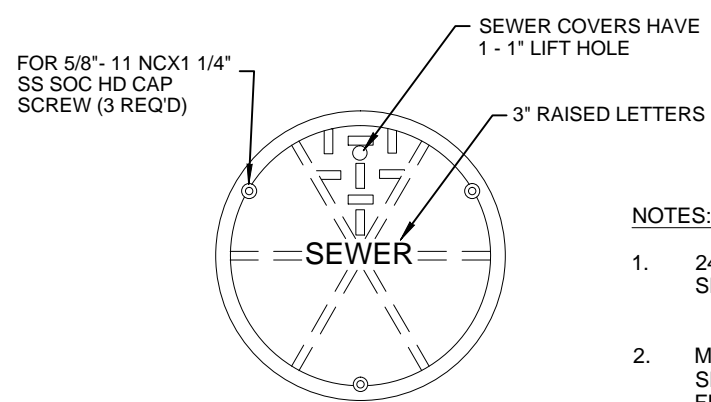
120 DEGREES (TYP. 3PL.) 1/2" (TYP.)



CIRCULAR FRAME DETAIL

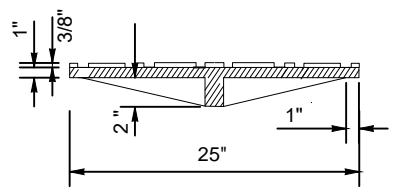


LADDER DETAIL



NOTES:

1. 24"X6" LOCKING SEWER MANHOLE FRAME AND COVER SHALL BE H-20 RATED.
2. MANHOLES LOCATED WITHIN NON-PAVED AREAS SHALL REQUIRE THE INSTALLATION OF GREEN FIBERGLASS MARKER POSTS 5' IN LENGTH WITH DECAL STATING "CAUTION SEWER PIPELINE". THE BURIED END SHALL BE "BARBED" OR AN ANCHOR KIT SHALL BE USED.



CIRCULAR LID DETAIL



PUBLIC WORKS DEPARTMENT

MISCELLANEOUS MANHOLE DETAILS

DWG. NO. 5-7