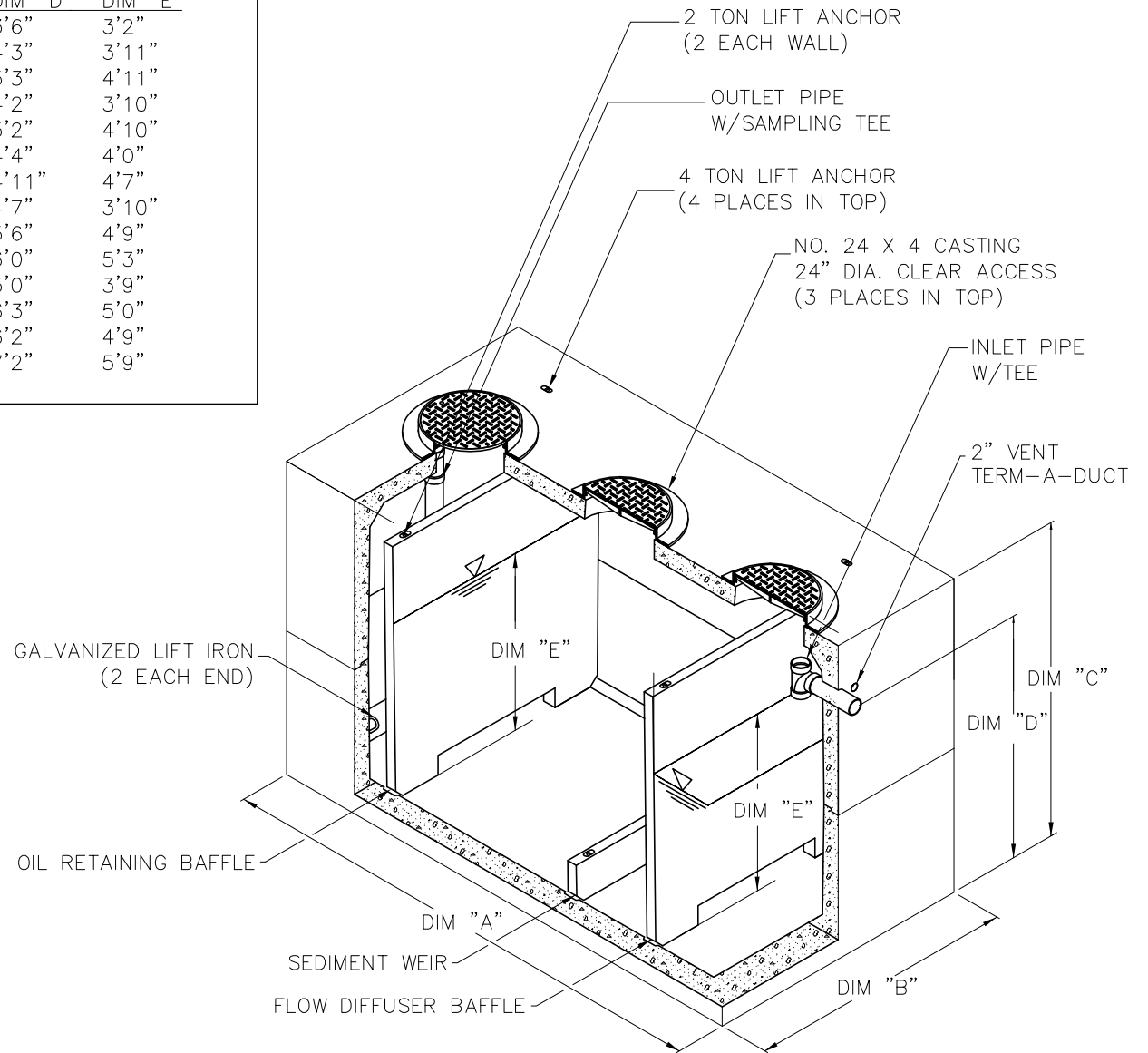


GREASE INTERCEPTOR DIMENSIONS

| CAPACITY | DIM "A" | DIM "B" | DIM "C" | DIM "D" | WATER DEPTH DIM "E" |
|----------|---------|---------|---------|---------|------------------------|
| 600 | 7'0" | 4'8" | 7'0" | 3'6" | 3'2" |
| 750 | 7'0" | 4'8" | 7'0" | 4'3" | 3'11" |
| 950 | 7'0" | 4'8" | 7'0" | 5'3" | 4'11" |
| 1000 | 9'0" | 5'0" | 7'2" | 4'2" | 3'10" |
| 1250 | 9'0" | 5'0" | 7'2" | 5'2" | 4'10" |
| 1500 | 11'2" | 5'8" | 7'2" | 4'4" | 4'0" |
| 1750 | 11'2" | 5'8" | 7'2" | 4'11" | 4'7" |
| 2000 | 12'8" | 6'8" | 8'0" | 4'7" | 3'10" |
| 2500 | 12'8" | 6'8" | 8'0" | 5'6" | 4'9" |
| 2750 | 12'8" | 6'8" | 8'0" | 6'0" | 5'3" |
| 3000 | 15'7" | 9'7" | 8'6.5" | 5'0" | 3'9" |
| 4000 | 15'7" | 9'7" | 8'6.5" | 6'3" | 5'0" |
| 5000 | 19'11" | 9'11" | 8'11" | 6'2" | 4'9" |
| 6000 | 19'11" | 9'11" | 8'11" | 7'2" | 5'9" |



PUBLIC WORKS
DEPARTMENT

GREASE INTERCEPTOR
SAMPLE DETAIL 2

DWG.
NO. 5-9B