

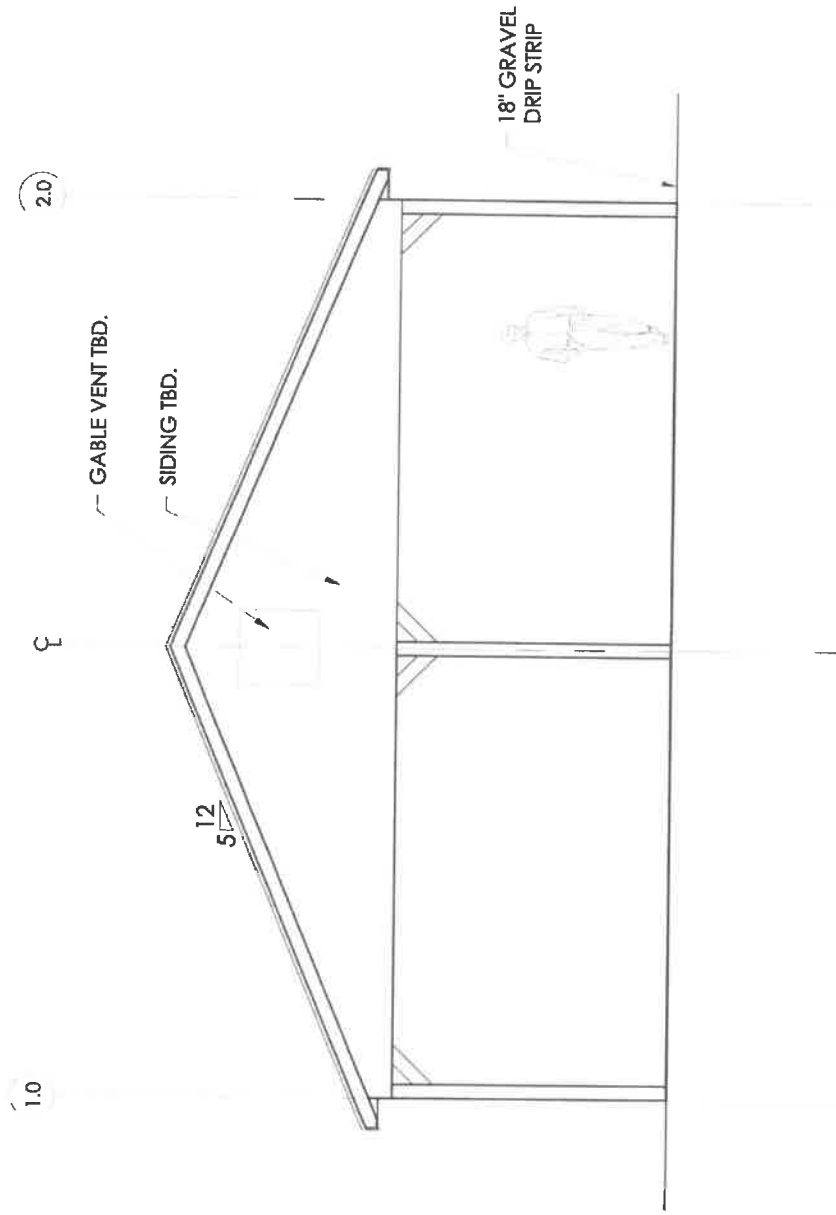
- NOTES:
1. Verify all dimensions in field prior to construction. Contact drawing author if discrepancies are found.
 2. Drawings not intended for construction or bidding at the present time.
 3. Consult with concrete contractor for installation methods and necessary details.

Drawn by Jesse Gillette 01/30/2018

JESSE GILLETTE ARCHITECTURE

1. Pavilion Foundation Plan

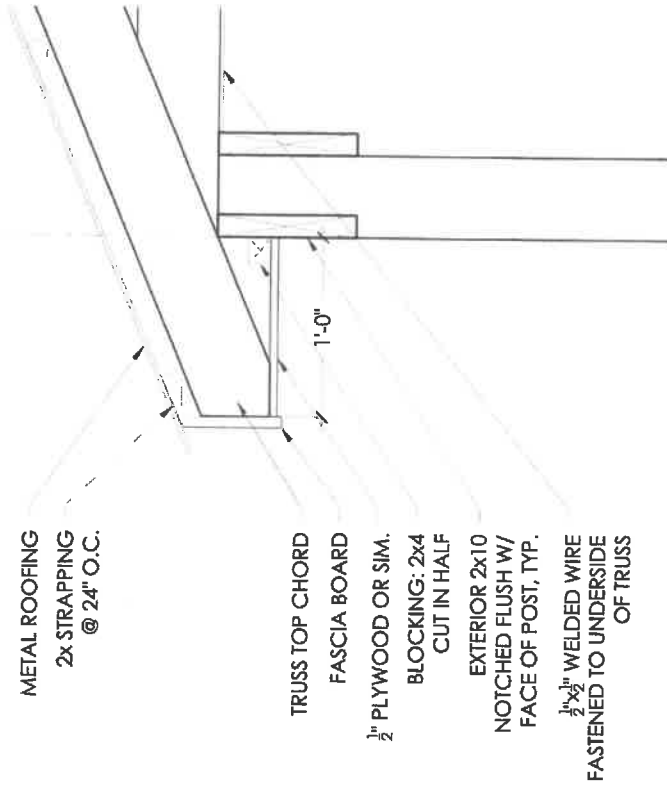
SCALE: 1/4" = 1'-0"



1 Pavilion Elevation
 SCALE: 1/4" = 1'-0"

- NOTES:
1. Verify all dimensions in field prior to construction. Contact drawing author if discrepancies are found.
 2. Drawings not intended for construction or bidding at the present time.

Drawn by Jesse Gillette 01/30/2018

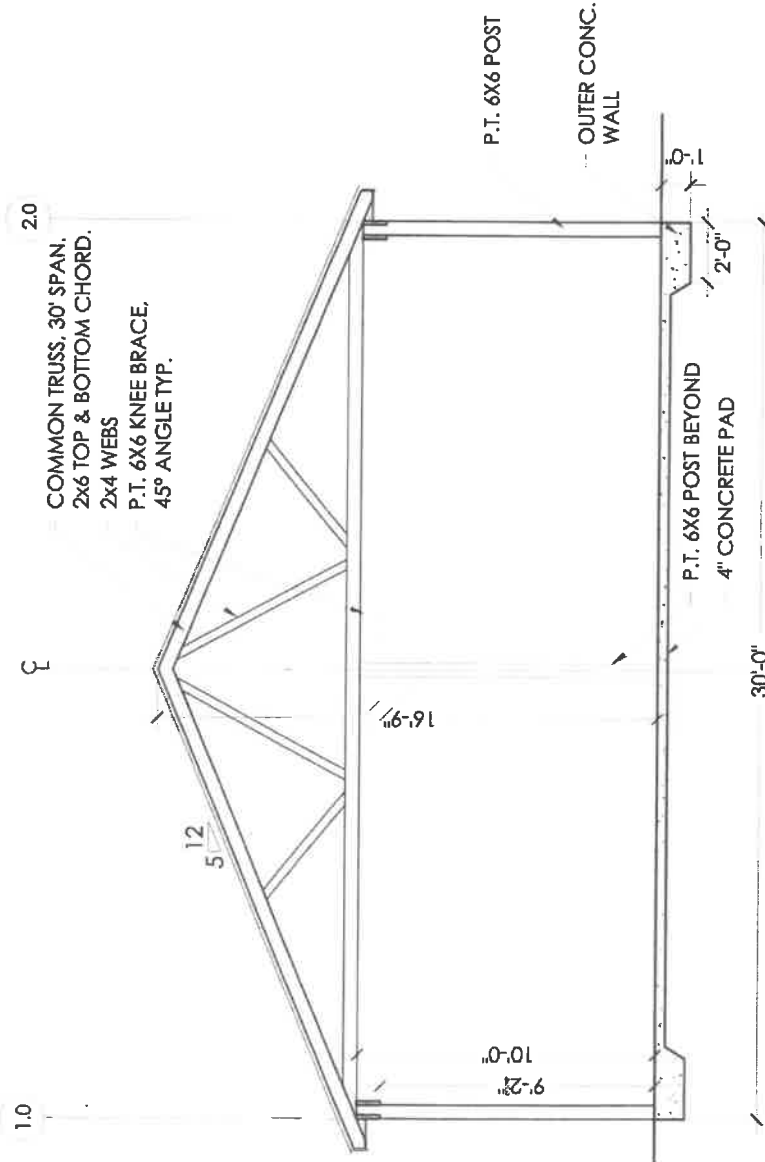


METAL ROOFING
2x STRAPPING
@ 24" O.C.

TRUSS TOP CHORD
FASCIA BOARD
1/2" PLYWOOD OR SIM.
BLOCKING: 2x4
CUT IN HALF
EXTERIOR 2x10
NOTCHED FLUSH W/
FACE OF POST, TYP.
1/2"x1/2" WELDED WIRE
FASTENED TO UNDERSIDE
OF TRUSS

2 Pavilion Roof & Eave Detail
SCALE: 1-1/2" = 1'-0"

NOTES:
1. Verify all dimensions in field prior to construction. Contact drawing author if discrepancies are found.
2. Drawings not intended for construction or bidding at the present time.
Drawn by Jesse Gillette 01/30/2018



COMMON TRUSS, 30' SPAN.
2x6 TOP & BOTTOM CHORD,
2x4 WEBS
P.T. 6X6 KNEE BRACE,
45° ANGLE TYP.

P.T. 6X6 POST

OUTER CONC.
WALL

P.T. 6X6 POST BEYOND
4" CONCRETE PAD

1 Pavilion Section
SCALE: 1/4" = 1'-0"

