

# CERTIFICATE OF LOCATION OF GOVERNMENT CORNER

NORTH QUARTER Corner of Section 30, Township 40, Range 23, 4TH P.M.

STATE OF MINNESOTA, County of KANABEC

At the corner location shown on the sketch:  
On 04/ /2002 Found a Kanabec County Monument.

Kanabec County U.S. Survey Feet Coordinates  
NAD 1983, HARN 1996 Adjustment  
Obtained by RTK GPS Observation

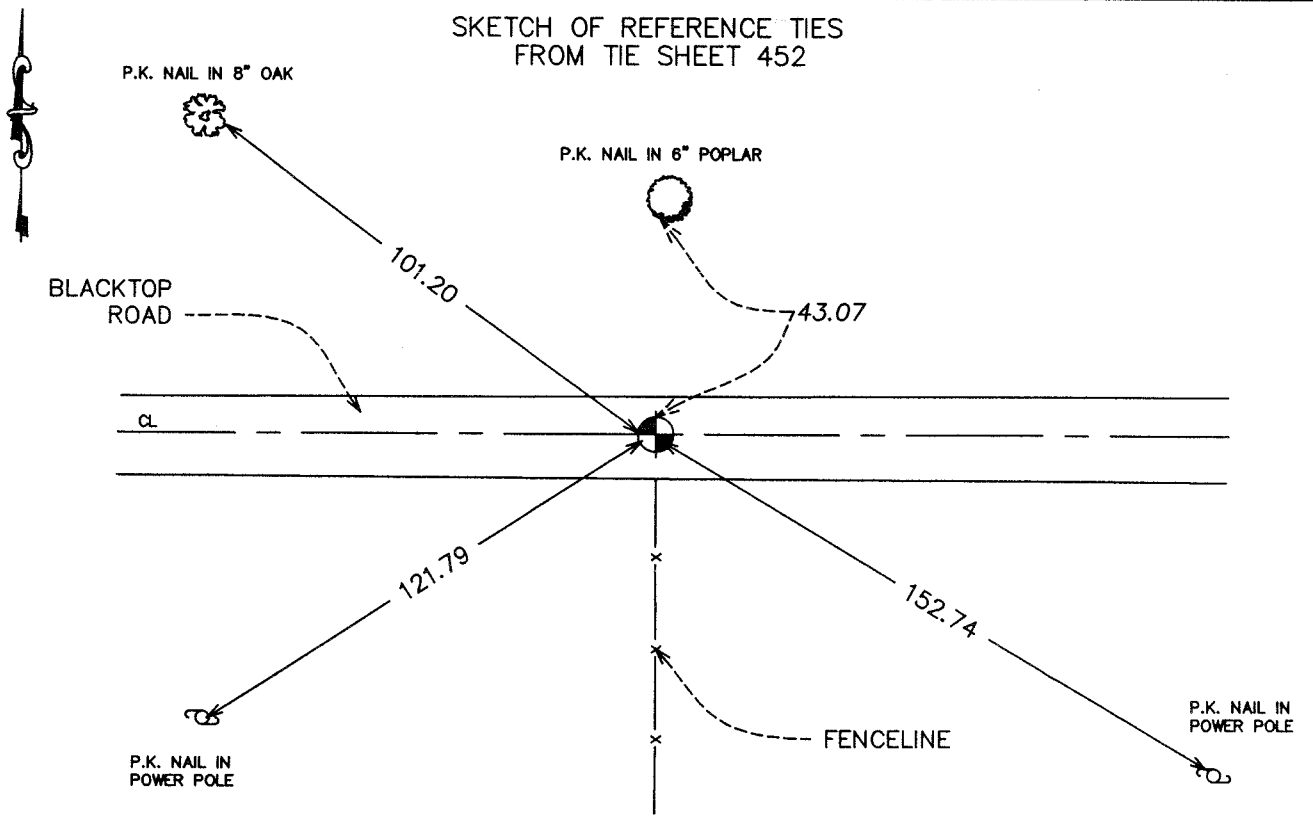
Northing= 174412.43

Easting= 409154.32

Note: NAD 1983, HARN 1996 Adjustment  
coordinates are NOT compatible with  
NAD 1983 coordinates

Note: 1 Meter=3937/1200 U.S. Survey Feet

SKETCH OF REFERENCE TIES  
FROM TIE SHEET 452



Statement of evidence relative to this corner location is on back of page.

I hereby certify that this document and the data contained herein was prepared by me or under my direct supervision.

*Ernest J. Rud*                      6-07-2004  
Signature                                      Date

Registration No. 9808

- Land Surveyor,      [ ] Professional Engineer  
[ ] County Surveyor,    [ ] County Engineer

## OFFICE OF THE COUNTY RECORDER

County of \_\_\_\_\_

I hereby certify that this document was filed in the County Recorder's office at \_\_\_\_\_ M. on the \_\_\_\_\_ day of \_\_\_\_\_ A.D., 20\_\_\_\_

County Recorder \_\_\_\_\_

BY \_\_\_\_\_ Deputy

DOCUMENT NO. \_\_\_\_\_

# STATEMENT OF EVIDENCE

(2002)

In April, 2002, we did a survey around Section 30, and found this monument set by LeRoy Winner in 1976. We set a new monument on top and established Kanabec County Coordinates using G.P.S. equipment on this location.