

CERTIFICATE OF LOCATION OF GOVERNMENT CORNER

 EAST QUARTER Corner of Section 03 , Township 41 , Range 24 , 4TH P.M.

STATE OF MINNESOTA, County of KANABEC

At the corner location shown on the sketch:

SET #7 REBAR WITH ALUMINUM CAP
AND ESTABLISHED G.P.S. COORDINATES ON ITS LOCATION.

Kanabec County U.S. Survey Feet Coordinates
NAD 1983, HARN 1996 Adjustment
Obtained by RTK GPS Observation

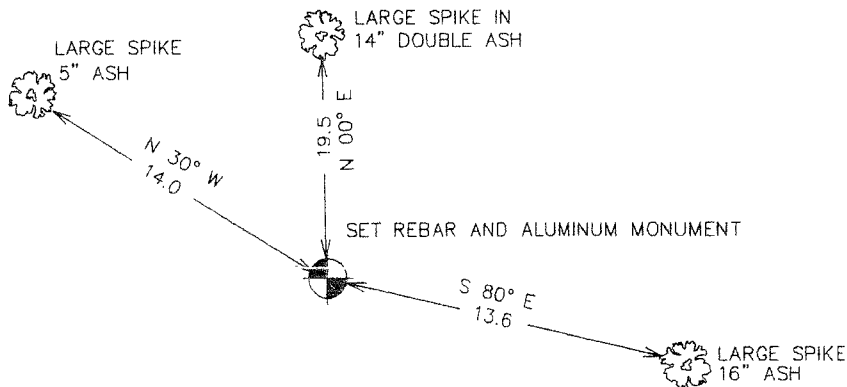
Northing= 221053.497

Easting= 386204.661

Note: NAD 1983, HARN 1996 Adjustment
coordinates are NOT compatible with
NAD 1983 coordinates

Note: 1 Meter=3937/1200 U.S. Survey Feet

SKETCH OF REFERENCE TIES



Statement of evidence relative to this corner location is on back of page.

I hereby certify that this document and the data contained herein was prepared by me or under my direct supervision.

Ernest Reed
Signature

1-03-2007
Date

Registration No. Minn No 9808

Land Surveyor, Professional Engineer

County Surveyor, County Engineer

OFFICE OF THE COUNTY RECORDER

County of _____

I hereby certify that this document was filed in the County Recorder's office at _____ M. on the

_____ day of _____ A.D., 20____

County Recorder _____

BY _____ Deputy

DOCUMENT NO. _____

EAST QUARTER CORNER SECTION 03, T41, R24

STATEMENT OF EVIDENCE

THE ORIGINAL CORNER WAS SET BY DEPUTY SURVEYOR ISAAC BANKER IN DECEMBER 1855. NO EVIDENCE FOR THE CORNER OR BEARING TREES COULD BE FOUND.

NO SUBSEQUENT SURVEY INFORMATION COULD BE FOUND AT KANABEC COUNTY OFFICES. THIS CORNER FALLS IN A HEAVILY WOODED AREA WITH NO OCCUPATION LINES IN ANY DIRECTION.

THEREFOR WE SET THIS CORNER BY LOST METHODS. THE CORNER WAS SET ON LINE AND AT A PROPORTIONATE DISTANCE BETWEEN THE NORTHEAST AND SOUTHEAST CORNERS OF SECTION 3.

TIES WERE TAKEN AND KANABEC COUNTY COORDINATES WERE ESTABLISHED USING G.P.S. EQUIPMENT.