

**KANABEC COUNTY PUBLIC WORKS  
DEPARTMENTAL ACCESS MANAGEMENT  
POLICY AND SPECIFICATIONS**

**1. General**

- 1.1. By MN Statute §160.2715, no boulders, landscape timbers, retaining walls, plantings, fence posts and boards/wire, etc. are permitted within road right of ways.
- 1.2. Galvanized steel safety aprons are required on culvert installations in right of way corridors of paved roadways and right of way corridors that are larger than 66 feet in width or as required by the Public Works Department for safety reasons.
- 1.3. All construction materials shall meet these specifications. Any alternate materials must be approved on an individual basis.
- 1.4. The level of workmanship/quality of finish required for final approval is represented in sample photos attached to these specifications.

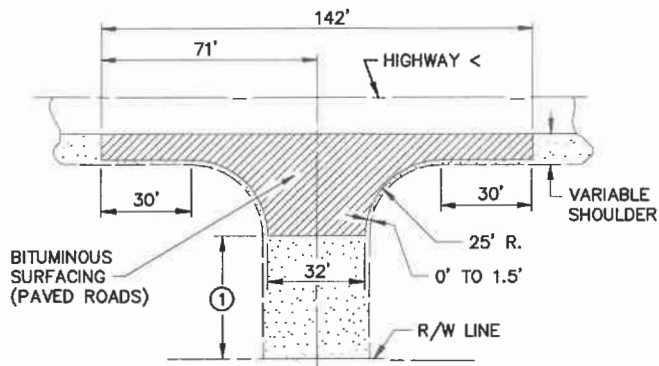
**2. Process**

- 2.1. Upon completion of the application, payment, and deposit, the County will provide a wooden stake to mark the location of the access. The applicant shall place the stake in the ditch where the center of the access is to be located. If the proposed work is a repair or replacement of an existing culvert, note as such on the application.
- 2.2. Notify Kanabec County Public Works the stake has been placed.
- 2.3. The proposed access location will be inspected in a timely manner, and upon approval, Kanabec County Public Works will issue the access permit.
- 2.4. The landowner or landowner's contractor shall construct the access in accordance with the specifications. The applicant will be given 90 days from the permit date to complete the installation. The deposit is held until all of the work is completed and vegetation is substantially established.
- 2.5. Upon completion of the access/culvert construction, the landowner shall contact the Kanabec County Public Works for a final inspection.
- 2.6. When the landowner has completed the work in accordance with the above specifications notify Kanabec County Public Works for a final inspection. Once the work is approved, a refund of the deposit will be issued. If the work fails to meet specifications notice will be provided on work required to bring the access into compliance. If compliance is not achieved in the time allowed the deposit will be forfeited.

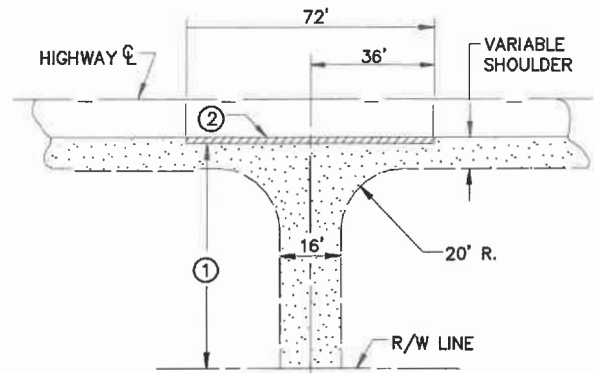
### 3. Specifications

- 3.1. Structural fill material must be non-organic natural material like clay, sand, or gravel. No organics, non-natural material, debris, or rock is allowed.
- 3.2. The side slopes of the access must be uniform and graded to a 4:1 or gentler slope.
- 3.3. Black dirt must be placed along the side slope, level with the safety aprons and seeded and rocks must be picked.
- 3.4. All disturbed areas must be stabilized with weed free mulch or erosion control blanket.
- 3.5. The surface of the access shall be covered with 3 inches of compacted gravel base.
- 3.6. All roadway accesses should be constructed in accordance with attached standard plans.
- 3.7. Culverts shall be galvanized or aluminized corrugated metal pipe in accordance with MnDOT specifications. The gauge of steel shall be as follows:

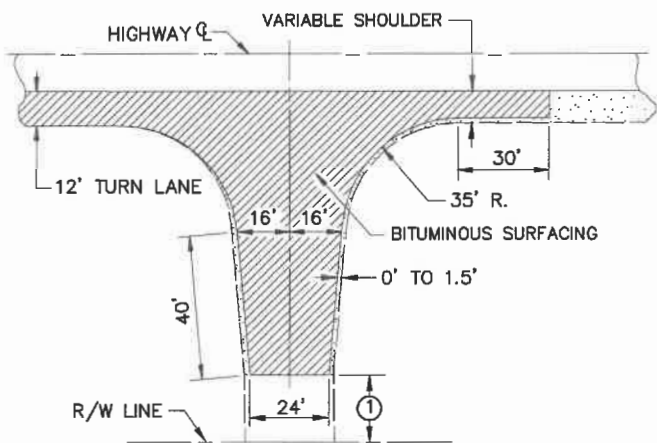
| Pipe Diameter | Gauge of Steel |
|---------------|----------------|
| 15" – 24"     | 16             |
| 30" – 36"     | 14             |
| 42"- 48"      | 12             |



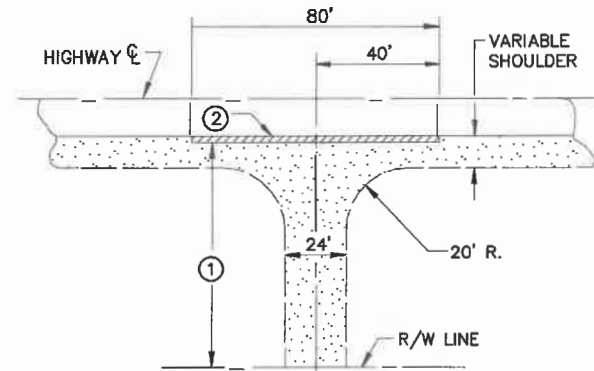
COMMERCIAL - INDUSTRIAL - FARM ENTRANCES



RURAL RESIDENTIAL ENTRANCE

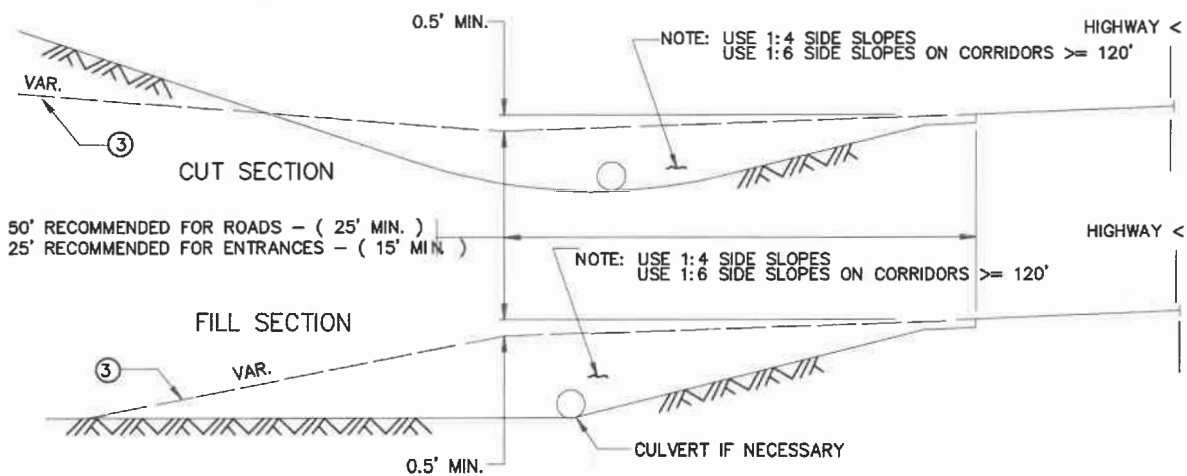


LOW VOLUME ROAD



FIELD ENTRANCES

- ① SURFACING TO MATCH EXISTING CONDITIONS. WHERE THERE IS NO SURFACING, PLACE GRAVEL BEYOND BITUMINOUS SURFACING TO R/W LINE.
- ② PLACE 2 FT. WIDE BITUMINOUS SURFACING AS DIRECTED BY ENGINEER.
- ③ 8% MAXIMUM COMMERCIAL; 15% MAXIMUM RESIDENTIAL.
- ④ THE USE OF PAVING SIMILAR TO COMMERCIAL ENTRANCES MAY BE APPROPRIATE FOR SOME RESIDENCES - AS SHOWN IN PLANS OR DIRECTED BY THE ENGINEER.

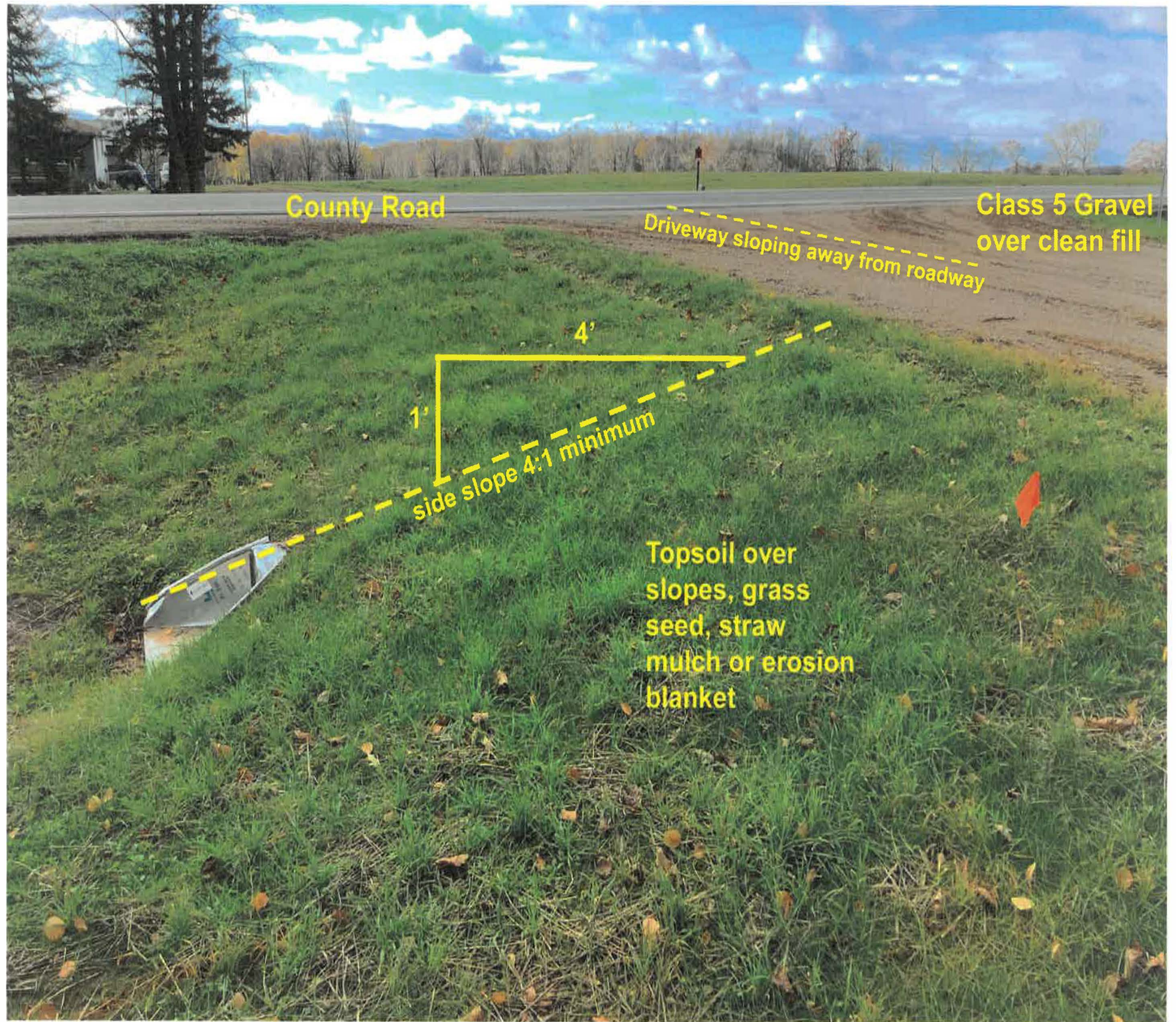


CROSS SECTIONS

KANABEC COUNTY  
PUBLIC WORKS DEPARTMENT

APPROACHES AND ENTRANCES  
RECOMMENDED STANDARDS





County Road

Class 5 Gravel  
over clean fill

Driveway sloping away from roadway



Topsoil over  
slopes, grass  
seed, straw  
mulch or erosion  
blanket



**NOT CORRECT**

