



CITY OF GREENFIELD
Department of Public Works

CONTRACT DPW 24-04

**ROADWAY RESURFACING AND RELATED WORK
VARIOUS LOCATIONS**

TABLE OF CONTENTS:

	<u>PAGE #</u>
ADVERTISEMENT FOR BIDDERS	3
SECTION 1 – INFORMATION FOR BIDDERS	5
SECTION 2 – FORMS FOR BID	15
SECTION 3 – AGREEMENT	27
SECTION 4 – BONDS	31
SECTION 5 – SPECIFICATIONS	39
SECTION 6 – SPECIAL CONDITIONS	45
SECTION 7 – GENERAL CONDITIONS	49
SECTION 8 – MEASUREMENT & PAYMENT	64
APPENDIX A – PREVAILING WAGE RATES	
APPENDIX B – PAVING LIST	
APPENDIX C – DETAIL SHEETS FOR CASTINGS	

ADVERTISEMENT FOR BIDDERS
DEPARTMENT OF PUBLIC WORKS
189 Wells Street
Greenfield, MA 01301

Sealed Proposals addressed to the Department of Public Works, 189 Wells Street, Greenfield, Massachusetts and endorsed “Proposal for Contract DPW 24-04, Roadway Resurfacing & Related Work, Various Locations” will be accepted by the Department of Public Works in the new DPW Administration Building located next to the DPW Yard. Bids will be accepted until 2:00 p.m. on Thursday, August 10, 2023, at which time said bids will be publicly opened and read aloud in the Administration Building Meeting Room.

Work consists of milling approximately 61,243 S.Y. of roadway, placement of approximately 6,600 tons of hot mix asphalt, and related work to include replacing worn castings and structure adjusting.

Bid Security from the Contractor in the form of cash, certified check, treasurer’s check, or cashier’s check, drawn upon a responsible bank in the Commonwealth of Massachusetts, or a bid bond in the amount of five percent (5%) of the bid shall be made payable to the City of Greenfield, Massachusetts and shall be enclosed with the bid.

Plans, specifications, and proposal forms will be emailed upon request by contacting alan.twarog@greenfield-ma.gov or by downloading them from the City’s Purchasing Department’s webpage at https://greenfield-ma.gov/departments/procurement/current_bid_opportunities.php. To get on the Bidder’s List, proposers should contact the DPW at alan.twarog@greenfield-ma.gov or by calling 413-772-1528 x6104. Plans and Specifications will be available starting July 26, 2023.

Attention is called to the following:

- A. Bids for this project are subject to the provisions of the Massachusetts General Laws Chapter 30, Section 39M, as amended.
- B. Wages are subject to Massachusetts minimum wage rates as per M.G.L. Chapter 149, Section 26 to 27H inclusive.
- C. All pertinent regulations ordinances and statutes of the City of Greenfield and the State of Massachusetts will be rigidly enforced.
- D. The successful bidder must comply with Chapter 151B as amended, of the Massachusetts General Laws and with the provisions of Executive Order No. 74, as amended by Executive Order No. 116 dated May 1, 1975 pertaining to Equal Opportunity Anti-Discrimination and Affirmative Action.

A Performance Bond and a Labor and Materials (Payment) Bond in the full amount of the contract, will be required of the successful bidder.

Contractor Pre-Qualification from MassDOT is required.

The responsible and eligible bidder offering the lowest price shall be awarded the project, subject to the availability of funding. The City of Greenfield reserves the right to reject any or all bids or to waive any informalities in the bidding, if it be in the public interest to do so.

The Contract/Bid/Proposal awarding authority is:

City of Greenfield
Department of Public Works
Greenfield, Massachusetts

SECTION 1
INFORMATION FOR BIDDERS

SECTION 1
INFORMATION FOR BIDDERS

- 1.1 The scope of this Contract consists of furnishing all materials and labor necessary for the completion of the Work as specified herein. The Work consists of resurfacing streets, as listed in Appendix B, as well as cold planing, furnishing and replacing castings, adjusting structures, and related work to include sweeping of streets in preparation of paving. **Prior to invoicing, the Contractor shall submit to the Owner a breakdown of all associated costs per street for all items listed. Individual load slips for HMA and tack coat shall be submitted to the DPW along with the payment application.**

Scope of Work:

Alden Street

Length - 850', Width - 30', Area – 2,833.33 SY

- Mill to a depth of 1.5 inches
- Replace worn castings as directed
- Adjust structures as needed
- Sweep street in preparation of HMA overlay
- Tack coat surface
- Place 1.5-inch top course

Barton Road from Driveway to #345 to 1,800' East

Length – 1,800', Width – 25', Area – 5,000 SY

- Mill at transitions
- Sweep street in preparation of HMA overlay
- Tack coat surface
- Place leveling course
- Place 1.5-inch top course

Canada Hill

Length - 1200', Width - 21', Area – 2,800 SY

- Mill to a depth of 1.5 inches
- Replace worn castings as directed
- Adjust structures as needed
- Sweep street in preparation of HMA overlay
- Tack coat surface
- Place 1.5-inch top course

Columbus Avenue from Grove Street to Allen Street

Length – 1,095', Width - 28', Area – 3,406.67 SY

- Mill to a depth of 1.5 inches
- Replace worn castings as directed
- Adjust structures as needed
- Sweep street in preparation of HMA overlay
- Tack coat surface
- Place 1.5-inch top course

Conway Street from Allen Street to Silver Street

Length – 3,500', Width - 30', Area – 11,666.67 SY

- Mill to a depth of 1.5 inches

- Replace worn castings as directed
- Adjust structures as needed
- Sweep street in preparation of HMA overlay
- Tack coat surface
- Place 1.5-inch top course

Duren Drive

Length – 600’, Width - 26’, Area – 1,733.33 SY

- Mill to a depth of 1.5 inches
- Adjust structures as needed
- Sweep street in preparation of HMA overlay
- Tack coat surface
- Place 1.5-inch top course

Eunice Williams Drive from Green River Road to Covered Bridge

Length – 1,400’, Width - 22’, Area – 3,422.22 SY

- Mill at transitions
- Adjust structures as needed
- Sweep street in preparation of HMA overlay
- Tack coat surface
- Place 1.5-inch top course

Eunice Williams Drive from Leyden Road to Entrance to Pump House

Length – 2,050’, Width - 22’, Area – 5,011.11 SY

- Mill at transitions
- Sweep street in preparation of HMA overlay
- Tack coat surface
- Place 1.5-inch top course

French King Highway from Silver Street to Entrance to Stop & Shop

Length – 1,834’, Width – Avg. 42’, Area – 8,558.67 SY

- Mill to a depth of 1.5 inches
- Replace worn castings as directed
- Adjust structures as needed
- Sweep street in preparation of HMA overlay
- Tack coat surface
- Place 1.5-inch top course

Grove Street from Elm Street to Conway Street

Length – 860’, Width - 25’, Area – 2,388.89 SY

- Mill to a depth of 1.5 inches
- Replace worn castings as directed
- Adjust structures as needed
- Sweep street in preparation of HMA overlay
- Tack coat surface
- Place 1.5-inch top course

Grove Street from Conway Street to Wells Street

Length – 456’, Width - 25’, Area – 1,266.67 SY

- Mill to a depth of 1.5 inches

- Replace worn castings as directed
- Adjust structures as needed
- Sweep street in preparation of HMA overlay
- Tack coat surface
- Place 1.5-inch top course

Leyden Road from Silver Street to 145' North of I91

Length – 320', Width - 30', Area – 1,066.67 SY

- Mill to a depth of 1.5 inches
- Sweep street in preparation of HMA overlay
- Tack coat surface
- Place 1.5-inch top course

Miner Street from Shelburne Road East to #17

Length – 390', Width - 23', Area – 996.67 SY

- Mill to a depth of 1.5 inches
- Sweep street in preparation of HMA overlay
- Tack coat surface
- Place 1.5-inch top course

Norwood Street from Federal Street to Davis Street

Length – 1,635', Width - 30', Area – 5,450 SY

- Mill to a depth of 1.5 inches
- Replace worn castings as directed
- Adjust structures as needed
- Sweep street in preparation of HMA overlay
- Tack coat surface
- Place 1.5-inch top course

Norwood Street from Davis Street to Chapman Street

Length – 1,025', Width - 30', Area – 3,416.67 SY

- Mill to a depth of 1.5 inches
- Replace worn castings as directed
- Adjust structures as needed
- Sweep street in preparation of HMA overlay
- Tack coat surface
- Place 1.5-inch top course

Shelburne Road East from Entrance to Newton School West to End

Length – 1,635', Width - 32', Area – 5,813.33 SY

- Mill to a depth of 1.5 inches
- Replace worn castings as directed
- Adjust structures as needed
- Sweep street in preparation of HMA overlay
- Tack coat surface
- Place 1.5-inch top course

Silver Crest

Length – 60', Width - 20', Area – 133.33 SY

- Mill at transitions

- Sweep street in preparation of HMA overlay
- Tack coat surface
- Place 1.25-inch top course

Sunset Square

Length – 750’, Width - 22’, Area – 1,833.33 SY

- Mill to a depth of 1.5 inches
- Replace worn castings as directed
- Adjust structures as needed
- Sweep street in preparation of HMA overlay
- Tack coat surface
- Place 1.5-inch top course

Thayer Road Extension

Length – 945’, Width - 21’, Area – 2,205 SY

- Mill to a depth of 1.5 inches
- Sweep street in preparation of HMA overlay
- Tack coat surface
- Place 1.5-inch top course

Willow Street

Length – 530’, Width - 28’, Area – 1,648.89 SY

- Mill at transitions
- Adjust structures as needed
- Sweep street in preparation of HMA overlay
- Tack coat surface
- Place 1.5-inch top course

Woodard Road from Shelburne Road East to #26

Length - 262’, Width - 32’, Area – 931.56 SY

- Mill to a depth of 1.5 inches
- Sweep street in preparation of HMA overlay
- Tack coat surface
- Place 1.5-inch top course

Wunsch Road

Length - 885’, Width - 27’, Area – 2,655 SY

- Mill to a depth of 1.5 inches
- Sweep street in preparation of HMA overlay
- Tack coat surface
- Place 1.5-inch top course

- 1.2 The material hereunder shall be supplied and installed in a thorough, workmanlike manner, and conform to standards prescribed or approved within these specifications. Any reference to a specification or designation of the American Society for Testing and Materials, ASHTO Specification, Massachusetts Department of Public Works Specifications, refers to the most recent or latest specifications or designation. Where names of specific products may be designated in these specifications or in the details appearing on the drawings, the intent is to state the general type and quality of product

desired without ruling out use of other products of equal type and quality which have been approved in writing by the Owner.

- 1.3 Contract Documents: The Advertisement for Bidders, GENERAL AND DETAIL SPECIFICATIONS, and forms for Bid, may be obtained by contacting alan.twarog@greenfield-ma.gov.

- 1.4 Questions Regarding Drawings and Documents. In general, no answers will be given to prospective bidders in reply to an oral question if the question involves an interpretation of the intent or meaning of the Drawings or other Contract Documents, or the equality or use of products or methods other than those designated or described on the drawings or in the specifications. Any information given to bidders other than by means of the Drawings and other Contract Documents, including Addenda, as described below, is given informally, for information and the convenience of the bidder only and is not guaranteed. The bidder agrees that such information shall not be used as the basis of nor shall the giving of any such information entitle the bidder to assert any claim or demand against the Owner or the Engineer on account thereof.

To receive consideration, such questions shall be submitted in writing to the City at least 7 days before the established date for receipt of bids. If the question involves the equality or use of products or methods it must be accompanied by drawings, specifications or other data in sufficient detail to enable the City to determine the equality or suitability of the product or method. In general, the City will neither approve nor disapprove particular products prior to the opening of bids; such products will be considered when offered by the Contractor for incorporation into the Work.

The City will set forth as Addenda, which shall become a part of the Contract Documents, such questions received as above provided as in its sole judgment are appropriate or necessary and its decision regarding each. At least three days prior to the receipt of bids, the City will send a copy of these Addenda to those prospective bidders known to have taken out sets of the Drawings and other Contract Documents.

- 1.5 Blank Form for Bid. All bids must be upon the blank form for bid annexed hereto, state the proposed price of each item of the Work, both in words and in figures, and be signed by the bidder with his/her business address and place of residence.
- 1.6 Withdrawal of Bids. Except as hereinafter in this subsection otherwise expressly provided, once his/her bid is submitted and received by the City for consideration and comparison with other bids similarly submitted, the bidder agrees that he/she may not and will not withdraw it within 40 (forty) consecutive calendar days after the actual date of the opening of bids.

Upon proper written request and identifications, bids may be withdrawn as follows:

1. At any time prior to the designated time for the opening of bids.
2. Provided the bid has not therefore been accepted by the City, at any time subsequent to the expiration of the period during which the bidder has agreed not to withdraw his/her bid.

Unless a bid is withdrawn as provided above, the bidder agrees that it shall be deemed open for acceptance until the AGREEMENT has been executed by both parties thereto or until the Owner notified a bidder in writing, that his/her bid is rejected or that the Owner does not intend to accept it. Notice of acceptance of a bid shall not constitute rejection of any bid.

- 1.7 Ability and Experience of Bidder. No award will be made to any bidder who cannot satisfy the City that he/she has sufficient ability and experience in this class of work and sufficient capital and plant to enable him/her to prosecute and furnish the material and work within a normal period of time. The City's decision or judgment on these matters shall be final, conclusive, and binding.
- 1.8 Bids. The City may reject bids which in its sole judgment are either incomplete, conditional, obscure or not responsive or which contain additions not called for, erasures not properly initialed, alterations, or similar irregularities, or the City may waive such omissions, conditions or irregularities.
- 1.9 The City of Greenfield reserves the right to reject any or all bids wholly or in part; to waive technicalities and informalities; to amend and/or cancel the bid prior to the time of opening; and to correct any award erroneously made as a result of a clerical error on the part of the City.
- 1.10 Execution of Agreement. The bidder whose bid is accepted will be notified by letter and agrees to duly execute the AGREEMENT, after notification, for a period ending as specified on bid proposal forms.
- 1.11 Liquidated Damages. All work covered by this Contract is to be completed by December 1, 2023. Should the Contractor fail to meet this date, his/her surety bond will be called or a fine at \$500.00 a day for every work day the paving is not completed. A workweek is Monday through Friday.
- 1.12 Comparison of Bids. Bids will be compared and awarded on the basis of each individual items unit price stated in the bid.

In the event there is a discrepancy in the bid between the unit prices written in words and figures, the prices written in words shall govern.

The City agrees to examine and consider each bid submitted in consideration of the bidder's agreements, as hereinabove set forth and as set forth in the BID.

- 1.13 Bid Security. Bid Security from the Contractor in the form of cash, certified check or treasurer's or cashier's check drawn upon a responsible bank in the Commonwealth of Massachusetts or a bid bond in the amount of five percent (5%) of the bid shall be made payable to the City of Greenfield, Massachusetts and shall be enclosed with the bid.

Each such check may be held by the City as security for the fulfillment of the bidder's agreements as hereinabove set forth and as set forth in the BID. Should the bidder fail to fulfill such agreements, his/her bid check shall become the property of the City as liquidated damages; otherwise, the bid check shall be returned to the bidder as hereinafter provided.

Bid checks will be returned to all except the three lowest bidders within three days, Sundays and legal holidays excluded, after the Owner and the accepted bidder have executed the AGREEMENT. In the event that the AGREEMENT has not been executed by both the accepted bidder and the Owner within 40 consecutive calendar days after the opening of bids, the bid check will be returned promptly upon demand of any bidder who has not been notified of the acceptance of his/her bid.

- 1.14 All questions relative to the specifications shall be directed to:

Alan Twarog
189 Wells Street
Greenfield, MA 01301
413-772-1528 x6104
alan.twarog@greenfield-ma.gov

- 1.15 Bidder is to list exceptions in detail of any and all material, item or design specifications in their bid.
- 1.16 Disputes. In the event of any dispute as to any of the terms and conditions of this Contract, it shall be determined in accord with the laws of the Commonwealth of Massachusetts and the Courts of the Commonwealth of Massachusetts shall have exclusive jurisdiction of the same.
- 1.17 Minimum Wage Rates. In the employment of mechanics, teamsters, chauffeurs, and laborers in the construction of the public work projects, the Minimum Wage rates shall be paid as issued by the Commissioner of Labor and Industries of Massachusetts, in accordance with Sections 26 and 27 of Chapter 149, of the General Laws, as amended, and as included in Appendix A.
- 1.18 Equal Employment Opportunity Anti-Discrimination and Affirmative Action. The successful bidder must comply with Chapter 151B as amended, of the Massachusetts General Laws and with the provisions of Executive Order No. 74, as amended by Executive Order No. 116 dated May 1, 1975 pertaining to Equal Opportunity Anti-Discrimination and Affirmative Action.
- 1.19 Price Adjustments. This Contract contains price adjustments for hot mix asphalt cement mixtures, diesel fuel, and gasoline. For this project the base prices are as follows: liquid asphalt \$625.00 per ton, diesel fuel \$2.889 per gallon, and gasoline \$2.923 per gallon. Period prices can be found on the MassDOT website under Permits, Forms & Publications, Construction Publications at <http://www.mhd.state.ma.us/>. Price adjustments are further explained in Section 6 – Special Conditions.
- 1.20 The City reserves the right to revoke this contracted AGREEMENT in writing with two week’s notice, if the Contractor is clearly not performing services required in the Contract in a timely or workmanlike manner.
- 1.21 Insurance Certificates. The Contractor will not be permitted to start any work until he/she has submitted certificates covering all insurance called for, and has obtained approval in writing of such certificates from the City.

Before starting, and until completion of the guarantee period, the Contractor shall procure, deposit, and maintain with the City, insurance satisfactory to the City as follows:

- A. Workmen’s Compensation and Employer’s Liability Insurance as required by the Workmen’s Compensation Laws of the Commonwealth of Massachusetts.
- B. Comprehensive General Liability Insurance covering Bodily Injury and Property Damage (Broad Form) as follows:

Limits of Liability*	\$1,000,000 each occurrence
	\$2,000,000 aggregate

* or \$1,000,000 single limit combined Bodily Injury and Property Damage.

The Comprehensive General Liability Policy shall provide insurance for the Contractor for Bodily Injury and Property Damage to third persons arising out of:

- 1. Work performed by the Contractor with his/her own employees, called “premises operations.”
- 2. Work performed by his/her subcontractors, called “sublet work” or Independent Contractors (this is referred to as Contractor’s Protective Liability).
- 3. The Contractor’s liability assumed under this contract, called “Hold Harmless” clauses or indemnity agreement. (This is referred to as Contractual Liability Insurance).
- 4. Products liability coverage covering the completed building or installation or products furnished. (This is called Products Liability Insurance for the manufacturer and Complete Operations Liability Insurance for the Contractor).
- 5. If any work is to be performed below the surface of the ground, the coverage shall be extended to include protection against property damage caused by explosion (including blasting), collapse of structures and damage to underground pipes and utilities. (This is known as “XCU” coverage).

- C. Comprehensive Automobile Liability Insurance covering Bodily Injury and Property Damage, as follows:

Limits of Liability

Bodily Injury	\$500,000 each person
	\$1,000,000 each accident
Property Damage	\$1,000,000 each accident

* or \$500,00 single limit combined Bodily Injury and Property Damage.

This insurance is to apply with respect to all owned or hired vehicles of the Contractor and non-ownership protection for all employees of the Contractor engaged in the performance of this Contract.

- D. All policies shall be so written that the City will be notified of cancellation or restrictive amendment at least 30 days prior to the effective date of such cancellation or amendment. Certificates from the insurance carrier stating the limits of liability and expiration date shall be filed in triplicate with the City before operations are begun. Such certificates not only shall name the types of policy provided, but also shall refer specifically to this Contract* and article and the above paragraphs in accordance with which insurance is being furnished and shall state that such insurance is as required by such paragraphs of this Contract and shall be sufficiently comprehensive as to permit the Owner to determine that the required insurance coverage has been provided without the necessity of examining the individual insurance policies.

If the initial insurance expires prior to completion of the Work, renewal certificates shall be furnished by the date of expiration.

* If blanket coverage is furnished, this particular Contract need not be referred to.

- E. The Contractor shall require each of its sub-contractors to procure and maintain until the completion of that sub-contractor's work, insurance of the types and to the limits specified in paragraphs A to C, inclusive, above. It shall be the responsibility of the Contractor to insure that all its sub-contractors comply with all of the insurance requirements contained herein relating to such sub-contractors.

No insurances required or furnished hereunder shall, in any way, relieve the Contractor of, or diminish any of its responsibilities, obligations and liabilities under the Contract.

SECTION 2
FORMS FOR BID

Bid Submission Checklist for all Bidders

1. _____ **5% Bid Bond**
2. _____ **Proposal Form**
3. _____ **Certificate of Authority**
4. _____ **Non-collusion/Tax Compliance Certification**
5. _____ **Debarment Statement**
6. _____ **Contractor's Certification**
7. _____ **Sub-Contractor's Certification**
8. _____ **OSHA Training Certification**

Bidder's Name

PROPOSAL FORM

To the City of Greenfield, Massachusetts, (hereinafter called the "Owner") acting through its Department of Public Works, duly authorized therefore, who act solely for said City and without personal liability to themselves:

The undersigned _____, as bidder, declares that the only persons or parties interested in this bid as principals are those named herein; that the bidder has carefully examined the proposed form of Proposal and the Specifications (and amendments thereto); and agrees, if this bid is accepted, that the bidder will furnish all materials and labor necessary for the completion of the Work as specified in the Proposal, in the manner and time therein prescribed and according to the requirements of Owner as herein set forth.

The Bidder agrees that the Owner will have forty (40) consecutive days from date of opening to accept the bid, except as described in the specifications, the unit(s) at the price, therein. The Bidder also understands that the Owner reserves the right to accept or reject any or all bids and to waive any informalities in the Proposals if it is in the Owner's interest to do so. The Advertisement for Bidders, Information for Bidders, Specifications and Proposal Form attached thereto, shall become a contract upon the receipt by the Bidder of written acceptance of this bid by the Owner.

The Bidder will take in full payment, therefore, the following price:

Item Number	Estimated Quantity	Brief Description; unit or lump sum price bid in both words and figures	Total in Figures
1.	6,600 Tons	Class I Bituminous Concrete Pavement Type I-1 furnished in place _____dollars and _____cents (\$_____)	\$_____
2.	33 Each	Sewer & Drain Structures Adjusted _____dollars and _____cents (\$_____)	\$_____

3.	28 Each	Water Gate & Curb Boxes Adjusted	_____ dollars	and _____ cents (\$_____)	\$_____
4.	61,243 S.Y.	Cold Planing	_____ dollars	and _____ cents (\$_____)	\$_____
5.	5 Each*	26 x 8" MassDOT Standard Manhole Frame & Cover "DRAIN"	_____ dollars	and _____ cents (\$_____)	\$_____
6.	1 Each*	24 x 8", 3-Flange Mass DOT Standard Catch Basin Frame & Grate	_____ dollars	and _____ cents (\$_____)	\$_____
7.	1 Each*	24 x 4", 3-Flange Mass DOT Standard Catch Basin Frame & Grate	_____ dollars	and _____ cents (\$_____)	\$_____
8.	16 Vert. Ft*	Remodel Structures	_____ dollars	and _____ cents (\$_____)	\$_____
9.	5,056 Gal	Tack Coat	_____ dollars	and _____ cents (\$_____)	\$_____

10.	50 Tons*	Bituminous Concrete Driveway Aprons
		_____dollars
		and _____cents (\$_____) \$_____
11.	5 Tons*	Hot Mix Asphalt Miscellaneous Hand Work
		_____dollars
		and _____cents (\$_____) \$_____

* Indeterminate figure used for bid comparisons.

The undersigned agrees that for extra work, if any, performed in accordance with the terms and provisions of the annexed form of AGREEMENT, he/she will accept compensation as stipulated therein in full payment for such extra work.

If this BID is accepted by the City, the undersigned agrees to complete the entire work provided to be done under the Contract within the time stipulated as otherwise expressly provided in the AGREEMENT.

The total price for Items _____ inclusive, derived as described in the INFORMATION FOR BIDDERS under the heading "Comparison of Bids," is
 \$** _____.

As provided in the INFORMATION FOR BIDDERS, the bidder hereby agrees that he/she will not withdraw this BID within 40 consecutive calendar days after the actual date of the opening of BIDS and that, if the City shall accept this BID, the bidder will duly execute and acknowledge the AGREEMENT and furnish, duly executed and acknowledged, the required CONTRACT BONDS within ten (10) days after notification that the AGREEMENT and other Contract Documents are ready for signature.

Should the bidder fail to fulfill any of his/her agreements as hereinabove set forth, the City shall have the right to retain as liquidated damages the amount of the bid check which shall become the City's property.

This BID includes Addenda number *** _____, _____, _____, _____, _____.

** Bidder must fill in this blank

*** To be filled in by Bidder if Addenda are issued.

The Bidder, by submittal of this BID, agrees with the Owner that the amount of the bid security deposited with this BID fairly and reasonably represents the amount of damages the Owner will suffer due to the failure of the Bidder to fulfill his/her agreements as above provided.

The Bidder hereby certifies he/she shall comply with the minority manpower ration and specific action steps contained in the STATE REQUIREMENTS under Massachusetts Equal Employment Program, including the minority contractor compliance. Prior to the award of the

Contract, the Contractor must submit a Contractor's Certification of Compliance. The Contractor receiving the award of the Contract shall be required to obtain from each of its Sub-Contractors and submit to the contracting or administering agency prior to the performance of any work under said Contract a certification by said Sub-Contractor, regardless of tier, that it will comply with the minority manpower ratio and specific affirmative action steps contained in the Massachusetts Equal Employment Program.

Name of Bidder

(SEAL)

By _____
(Signature and title of authorized representative)

(Business Address)

(City & State)

Date _____

The Bidder is a corporation incorporated in the State (or Commonwealth) of _____

(Bidder must add and delete, as necessary, to make this sentence read correctly).

(Note: If the Bidder is a corporation, affix corporate seal and give below the names of its president, treasurer, and general manager, if any; if a partnership, give full names and residential addresses of all partners, and if an individual, give residential address if different from business address.)

CERTIFICATE OF AUTHORITY
(Required if a Corporation)

At a duly authorized meeting of the Board of Directors of the _____
(Name of Corporation)
held on _____ at which all of the Directors were present or waived notice,
(Date)
it was voted that _____ of the company be and
(Officer and Title)
hereby is authorized to execute contracts and bonds in the name and on behalf of said company,
and affix its corporate seal thereto, and such execution of any contract of obligation in this
company's name on its behalf of such _____ under seal of the company
(Officer)
shall be valid and binding upon this company.

A TRUE COPY,

Attest: _____
(Signature/Title)

Place of Business: _____

~ ~ ~ ~ ~ ~ ~ ~ ~ ~ ~ ~ ~ ~ ~

I hereby certify that I am the _____ of the _____
(Title) (Corporation)
And that _____ is the duly elected _____
(Name of Officer) (Title)
of said company, and the above vote has not been amended or rescinded and remains in full
force and effect as the date of this contract.

Signature: _____

Date: _____

Name/Title: _____

(Corporate Seal)

Notary Public

My commission expires: _____

CERTIFICATE OF NON-COLLUSION

The undersigned certifies under penalties of perjury that this bid or proposal has been made and submitted in good faith and without collusion or fraud with any other person. As used in this certification, the word "person" shall mean any natural person, business, partnership, corporation, union, committee, club, or other organization, entity, or group of individuals.

Signature of individual submitting bid or proposal

Name of Business

TAX COMPLIANCE CERTIFICATION

Pursuant to M.G.L. Ch. 62C, Sec. 49A, I certify under the penalties of perjury that I, to the best of my knowledge and belief, am in compliance with all laws of the Commonwealth of Massachusetts relating to taxes, reporting of employees and contractors, and withholding and remitting child support.

Signature of individual submitting bid or proposal

Name of Business

DEBARMENT STATEMENT
(to be used for any public construction project)

Any person or corporation that fails to date, sign with original signature, and submit the following statement shall not be awarded this contract.

DEBARMENT (Chapter 550, Acts of 1991)

The undersigned certifies under penalties of perjury that the said undersigned is not presently debarred from doing public construction work in the Commonwealth of Massachusetts under the provisions of Section 29F of Chapter 29 of the General Laws, or any other applicable debarment provisions of any other Chapter of the General Laws, or any Rule or Regulation promulgated thereunder.

DATE: _____

Typed or Printed Name of Person Signing

Authorized Official's Signature

Company or Corporation

A. Contractor's Certification

Name of Project _____

A contractor will not be eligible for award of a contract unless such contractor has submitted the following certification, which is deemed a part of the resulting contract:

CONTRACTOR'S CERTIFICATION

_____ certified that:

1. it tends to use the following listed construction trades in the work under the contract _____

and

2. will comply with the minority manpower ration and specific affirmative action steps required by law, and
3. will obtain from each of its Sub-Contractors and submit to the contracting or administering agency prior to the award of any Sub-Contract under this contract the Sub-Contractor certification required by these bid conditions.

Signature of authorized representative
of Contractor.

B. Sub-Contractor's Certification

Name of Project _____

Prior to the award of any sub-contract, regardless of tier, the prospective sub-contractor must execute and submit to the prime contractor the following certification, which will be deemed a part of the resulting sub-contract:

SUB-CONTRACTOR'S CERTIFICATION

_____ certifies that:

- 1. it tends to use the following listed construction trades in the work under the sub-contract _____

and;

- 2. will comply with the minority manpower ration and specific affirmative action steps required by law; and
- 3. will obtain from each of the sub-contractors prior to the award of any sub-contract under this sub-contractor certification required by these bid conditions.

Signature of Authorized Representative

In order to ensure that the said sub-contractor's certification becomes a part of all sub-contractors under the prime contract, no sub-contract shall be executed until an authorized representative of the City agency (or agencies) administering this project has determined, in writing, that the said certification has been incorporated in such sub-contract, regardless of tier. Any sub-contract executed without such written approval shall be void.

OSHA TRAINING CERTIFICATION

Pursuant to M.G.L. Ch. 30, Sec. 39S(A), I certify under the penalties of perjury to the following:

- (1) that I am able to furnish labor that can work in harmony with all other elements of labor employed or to be employed at the work;
- (2) that all employees to be employed at the worksite will have successfully completed a course in construction safety and health approved by the United States Occupational Safety and Health Administration that is at least 10 hours in duration at the time the employee begins work and who shall furnish documentation of successful completion of said course with the first certified payroll report for each employee; and
- (3) that all employees to be employed in the work subject to this contract have successfully completed a course in construction safety and health approved by the United States Occupational Safety and Health Administration that is at least 10 hours in duration.

(Signature of authorized representative of Bidder)

(Name of authorized representative of Bidder)

(Name of Business)

SECTION 3
AGREEMENT

AGREEMENT FOR CONTRACT DPW 24-04

**Roadway Resurfacing and Related Work
Various Locations**

THIS AGREEMENT, executed this _____ day of _____
in the year Two Thousand and Twenty-Three.

(herein referred to as the “AGREEMENT”), by and between the City of Greenfield, Massachusetts, acting by and through its Department of Public Works, duly authorized therefore, which acts solely for said City and without personal liability to itself, party of the first part, and _____ party of the second part.

WITNESSETH, that the parties to these presents, each in consideration of the undertakings, promises, and agreements on the part of the other herein contained, have undertaken, promised and agreed and do hereby undertake, promise, and agree, the party of the first part for itself, its successors and assigns, and the party of the second part for itself and its heirs, executors, administrators, successors and assigns, as follows:

The Contractor agrees to furnish all equipment, machinery, tools and labor, to furnish and deliver all materials required to be furnished and delivered in and about the improvement and to do and perform all work in accordance with the specifications, plans and conditions made a part hereof, and in strict conformity with the provisions herein contained. All said Plans, Specifications, General Requirements, Special Provisions, Addenda, and Proposal are hereby specifically made a part of this Contract as fully and to the same effect as if the same had been set forth at length herein.

The Contract Documents consist of the following:

1. This Agreement
2. Bidding/Contract Documents DPW 24-04, inclusive
3. Contractor’s Bid Proposal
4. Addenda (numbers _____ to _____ inclusive)

In consideration of the foregoing premises, the Owner shall pay and the Contractor shall receive the prices stipulated in the BID made a part hereof as full compensation for everything furnished and done by the Contractor under this Contract; including all work required, but not shown on the plans for the items herein mentioned, and for all loss or damage arising out of the nature of the work aforesaid, or from the action of the elements, or from any delay or from any unforeseen obstruction or difficulty encountered in the prosecution of the Work, and for all risks of every description connected with the Work, and for all expenses incurred by or in consequence of the suspension or discontinuance of the Work as herein specified, and for well and faithfully completing the Work, and the whole thereof, as herein provided, such price or prices as are set out in the accompanying proposal, and for all work required, for which there is no item in the proposal, such compensation as is provided for in the aforesaid specification.

The Contractor’s original bid price for this project is _____.

AGREEMENT FOR CONTRACT DPW 24-04

**Roadway Resurfacing and Related Work
Various Locations**

IN WITNESS WHEREOF, the Owner has caused this instrument to be signed and its corporate seal to be hereto affixed in its behalf, and the Contractor has caused this instrument to be signed in its behalf.

FOR THE OWNER,

By the _____

FOR THE CONTRACTOR,

Witness: _____

By the _____

(If a corporation, attach to each signed Agreement a notarized copy of the corporate vote authorizing the signatory to sign this Agreement.)

Approved as to Appropriation:

City Accountant

Certificate of Acknowledgment of Contractor if a Corporation

For AGREEMENT

State of _____)

SS:

County of _____)

On this _____ day of _____, 20____,

before me personally came _____

to me known, who being by me duly sworn, did depose and say as follows:

That he/she resides at _____

and is the _____

of _____

the corporation described in and which executed the foregoing instrument; that he/she knows the corporate seal of said corporation; that the seal affixed to the foregoing instrument is such corporate seal and it was so affixed by order of the Board of Directors of said corporation; and that by the like order he/she signed thereto his/her name and official designation.

Notary Public (Seal)

My commission expires: _____

SECTION 4

BONDS

PERFORMANCE BOND

(NOTE: This Bond is issued simultaneously with the attached Labor and Materials Bond in favor of the Owner.)

KNOW ALL MEN BY THESE PRESENTS:

That we, _____

(an individual, a partnership, a corporation)

duly organized under the Laws of the State (or Commonwealth) of _____,
and having a usual place of business at _____,
as Principal, and _____, a corporation
duly organized under the Laws of the State (or Commonwealth) of _____,
and having a usual place of business at _____,
as Surety, are holden and stand firmly bound and obligated unto the City of Greenfield,
Massachusetts, as obligee, in the sum of _____,
lawful money of the United States of America to and for the true payment whereof we bind
ourselves and, each of us, our heirs, executors, administrators, successors, and assigns, jointly
and severally, firmly by these presents.

WHEREAS, the Principal, by means of a written AGREEMENT (which together with the
Contract Documents in said AGREEMENT referred to are collectively sometimes referred to as
the "Contract") dated _____.

Has entered into a contract with the said obligee for _____

a copy of which AGREEMENT is attached hereto and by reference made a part hereof.

NOW THEREFORE, THE CONDITION of this obligation is such that if the Principal shall well and truly keep and fully and faithfully perform all of the terms and conditions of said AGREEMENT and of the "Contract Documents" referred to in said AGREEMENT (which collectively are hereinafter and in said AGREEMENT sometimes referred to as the "Contract") and all modifications thereof on the Principal's part to be performed, this obligation shall be void; otherwise it shall remain in full force and effect.

Whenever the said Principal shall be, and declared by the City to be in default under the said Contract, the City having performed the City's obligations thereunder, the Surety, for value received, shall promptly remedy the default, or, at the option of the City, shall promptly

- (a) Complete the said AGREEMENT and/or Contract in accordance with its terms and conditions, or
- (b) Obtain a bid or bids for submission to and the approval of the City for completing the said AGREEMENT and/or Contract and any modifications thereof in accordance with the terms and condition thereof, and upon determination by the City and the Surety of the lowest responsible and acceptable bidder, arrange for a contract between such bidder and the City, and make available to the City as the Work progresses (even though there should be a default or a succession of defaults under the contract or contracts of completion arranged under this paragraph) sufficient funds to pay the cost of completion less a sum that shall be equal to the difference between the Contract price as fixed and provided in said AGREEMENT and/or Contract price as fixed and provided thereof to be paid thereunder to the Principal and the amount previously paid by the City to and/or for the account of and/or chargeable against the Principal, but not exceeding (including other costs and damages for which the Surety may be liable hereunder) the amount set forth in the first paragraph hereof.

The Surety, for value received, agrees further that no changes in, omissions from, or alteration, modifications or additions to the terms and provisions of said AGREEMENT, and/or Contract or the Work to be performed thereunder, and that no extensions of time given or changes made in the manner or time of making payments thereunder, shall in any way affect the Surety's obligations on this Bond, and the Surety hereby waives notice of any such changes, omissions, alteration, modification, additions or extensions.

IN WITNESS WHEREOF, we have hereunto set our hands and seals to _____
 counterparts of this Bond, this _____ day of _____
 in the year Two Thousand and Twenty-Three.

_____ (Seal)

Principal

_____ (Seal)

Principal

_____ (Seal)

Principal

_____ (Seal)

Surety

_____ (Seal)

Surety

_____ (Seal)

Surety

(NOTE: If the Principal (Contractor) is a partnership, the Bond should be signed by each of the partners.

If the Principal (Contractor) is a corporation, the Bond should be signed in its correct corporate name by its duly authorized officers.

If this Bond is signed on behalf of the Surety by an attorney-in-fact, there should be attached to it a duly certified copy of his/her power of attorney showing his/her authority to sign such Bonds.

There should be executed an appropriate number of counterparts of the Bond corresponding to the number of counterparts of the AGREEMENT.)

LABOR AND MATERIALS (PAYMENT) BOND

(NOTE: This Bond is issued simultaneously with the attached Performance Bond in favor of the Owner.)

KNOW ALL MEN BY THESE PRESENTS:

That we, _____

(an individual, a partnership, a corporation)

duly organized under the Laws of the State (or Commonwealth) of _____,
and having a usual place of business at _____,
as Principal, and _____, a corporation
duly organized under the Laws of the State (or Commonwealth) of _____,
and having a usual place of business at _____,
as Surety, are holden and stand firmly bound and obligated unto the City of Greenfield,
Massachusetts, as obligee, in the sum of _____,
lawful money of the United States of America to and for the true payment whereof we bind
ourselves and, each of us, our heirs, executors, administrators, successors, and assigns, jointly
and severally, firmly by these presents.

WHEREAS, the Principal, by means of a written AGREEMENT (which together with the
Contract Documents in said AGREEMENT referred to are collectively sometimes referred to as
the "Contract") dated _____.

Has entered into a contract with the said obligee for _____

a copy of which AGREEMENT is attached hereto and by reference made a part hereof.

NOW, THEREFORE, THE CONDITION of this obligation is such that if the Principal shall promptly make payments to all claimants as hereinafter defined, for all labor performed or furnished and for all materials and equipment furnished for or used or in connection with the Work called for by said AGREEMENT and/or Contract and any modifications thereof, including lumber used, but not incorporated in said Work, and for the rental or hire of vehicles, tools and other appliances and equipment furnished for or used in connection with said Work, this obligation shall be void; otherwise it shall remain in full force and effect, subject, however, to the following conditions:

1. A claimant is defined as one having a direct contract with the Principal or with a subcontractor of the Principal for labor, materials, and/or equipment used or reasonably required for use in the performance of the said Work, labor and materials,

being construed to include that part of water, gas, power, light, heat, oil, gasoline, telephone service or rental of equipment directly applicable to the said AGREEMENT and/or Contract and any modifications thereof.

2. The above named Principal and Surety hereby jointly and severally agree with the City that every claimant as herein defined, who has not been paid in full before the expiration of a period of ninety (90) days after the date on which the last of such claimant's work or labor was done or performed, or materials or equipment were furnished by such claimant, may sue on this bond for the use of such claimant, prosecute the suit to final judgment for such sum or sums as may be justly due claimant, and have execution thereon. The City shall not be liable for the payment of any costs or expenses of any such suit.
3. No suit or action shall be commenced hereunder by a claimant,
 - (a) Unless claimant, other than one having a direct contract with the Principal, shall have given written notice to any two of the following: The Principal, the City or the Surety above named, within ninety (90) days after such claimant did or performed the last of the work or labor, or furnished the last of the materials or equipment for which said claim is made, stating with substantial accuracy the amount claimed and the name of the party to whom the materials or equipment were furnished, or for whom the work or labor was done or performed. Such notice shall be served by mailing the same by registered mail or certified mail, postage prepaid, in an envelope addressed to the Principal, City, or Surety at any place where an office is regularly maintained for the transaction of business, or served in the state in which the said Work is located, save that such service need not be made by a public officer;
 - (b) After the expiration of one (1) year following the date on which the Principal ceased work on said AGREEMENT and/or Contract and any modifications thereof, it being understood, however, that if any limitation shall be deemed to be amended so as to be equal to the minimum period of limitation permitted by such law.
 - (c) Other than in a state court of competent jurisdiction in and for the county or other political subdivision of the state in which the said Work, or any part thereof, is situated, or in the United States District Court for the district in which the said Work, or any part thereof, is situated, and not elsewhere.
4. The amount of this bond shall be reduced by and to the extent of any payment or payments made in good faith hereunder, inclusive of the payment by Surety of mechanics liens which may be filed of record against said AGREEMENT and/or Contract or said Work, whether or not claim for the amount of such lien be presented under and against this bond.

The Surety, for value received, agrees further that no changes in, omissions from, or alterations, modifications or additions to the terms and provisions of said AGREEMENT and/or Contract or the Work to be performed thereunder, and that no extensions of time given or changes made in the manner or time of making payments thereunder, shall in any way affect the Surety's obligations on this Bond, and the Surety hereby waives notice of any such changes, omissions, alterations, modifications, additions or extensions.

IN WITNESS WHEREOF, we have hereunto set our hands and seals to _____
counterparts of this Bond, this _____ day of _____
in the year Two Thousand and Twenty-Three.

(NOTE:

If the Principal (Contractor)
is a partnership, the Bond
should be signed by each of the
partners.

_____(Seal)
Principal

_____(Seal)
Principal

If the Principal (Contractor)
is a corporation, the Bond
should be signed in its correct
corporate name by its duly
authorized officer or officers.

_____(Seal)
Principal

If this Bond is signed on
behalf of the Surety by an
attorney-in-fact, there should
be attached to it a duly certi-
fied copy of his/her power of
attorney showing his/her authority
to sign such Bonds.

_____(Seal)
Surety

_____(Seal)
Surety

There should be executed an
appropriate number of counter-
parts of the Bond corresponding
to the number of counterparts of
the AGREEMENT.)

_____(Seal)
Surety

Certificate of Acknowledgment of Contractor if a Corporation

For CONTRACT BONDS

State of _____)

SS:

County of _____)

On this _____ day of _____, 20____,

before me personally came _____

to me known, who being by me duly sworn, did depose and say as follows:

That he/she resides at _____

and is the _____

of _____

the corporation described in and which executed the foregoing instrument; that he/she knows the corporate seal of said corporation; that the seal affixed to the foregoing instrument is such corporate seal and it was so affixed by order of the Board of Directors of said corporation; and that by the like order he/she signed thereto his/her name and official designation.

Notary Public (Seal)

My commission expires: _____

SECTION 5
SPECIFICATIONS

SECTION 5 SPECIFICATIONS

ITEM 1 - BITUMINOUS CONCRETE - IN PLACE

- 1.1 All materials shall be manufactured, furnished and delivered in place in accordance with the most recent provisions for materials and methods as specified in “Standard Specifications for Highways and Bridges”, Commonwealth of Massachusetts, Department of Public Works, 2023 Edition, as amended and corrected. All bituminous concrete shall meet the specifications for the current job mix formula for each type of bituminous concrete to be furnished.
- 1.2 Section 420 and Section 460 of the above specifications shall be deemed applicable to work being performed in the City of Greenfield except as noted and modified herein.
- 1.3 The term “Engineer” used in the Section 460 shall mean the City Engineer for the Greenfield Department of Public Works, acting directly or through an authorized representative, such representative acting within the scope of the particular duties entrusted to him/her. The term “Department” shall mean the Department of Public Works, Greenfield, Massachusetts.
- 1.4 The use of pneumatic-tired rollers and/or vibratory steel drum rollers will not be required.
- 1.5 The Contractor shall provide all labor, material and equipment to perform the required work to include cleaning of surfaces in preparation of paving.
- 1.6 The Contractor shall observe and practice all required safety standards including warning signs.
- 1.7 No prime coating will be required and may be deleted from the specification.
- 1.8 The top course of pavement shall be laid with a variable screed, rubber tired paver having adjustable extensions.

ITEMS 2 & 3 - ADJUSTMENT OF EXISTING STRUCTURES

General: The Contractor shall furnish all labor, materials and equipment and shall do all work necessary to adjust existing drainage structures, sewer manholes, valve boxes and curb boxes as indicated on the plans or as directed by the Engineer.

The work shall consist of adjusting line and/or pitch of the existing frames or boxes including removal, replacement or addition of brick, mortar and concrete.

All structures shall be raised before the placement of the top course of pavement and shall be set to the proposed grade of this final pavement. The final top course paving shall not commence until the Engineer has approved the work under this section.

The Contractor shall be responsible for notifying and coordinating with the appropriate utility when there is a non-city owned structure to be adjusted, to include Eversource, Verizon and Berkshire Gas Co.

The Contractor shall be responsible for cleaning up and removing all material, to include brick, mortar, concrete, and asphalt, that falls into any structure during the course of this work.

Drainage and Sewer Structures Adjusted: The Contractor shall remove and reset to within 1/8" of proposed grade and pitch, all structures as directed by the ENGINEER and as shown on the enclosed details.

All frames removed shall be cleaned of all dirt and mortar.

All underlying loose mortar and masonry units shall be removed. The masonry units shall be cleaned of all dirt and mortar and replaced with all joints between adjacent units being completely filled with new mortar.

Bricks, when required, shall be set in a full bed of new mortar and all joints shall be filled with new mortar.

All frames shall be set in a full bed of mortar so that the space between the top of the masonry and the bottom flange of the frame shall be completely filled and made watertight. All frames shall be centered on the underlying structure unless otherwise directed by the Engineer.

The bricks shall be sound, hard and uniformly burned brick, regular and uniform in shape and size, of compact texture and satisfactory to the Engineer. Brick shall comply with the ASTM Standard Specification for Sewer and Manhole Brick (made from clay or shale), Designation C32-73, for Grade SS, hard brick, except that the mean of five tests for absorption shall not exceed eight percent by weight.

Rejected brick shall be immediately removed from the work.

The mortar shall be composed of Portland cement, hydrated lime and sand, in which the volume of sand shall not exceed three times the sum of the volumes of cement and lime. The proportions of cement and lime shall be approved and may vary from 1:1/4 for dense hard-burned brick to 1:3/4 for softer brick. In general, mortar for Grade SS brick shall be mixed in the proportions of 1:1/2 – 4:1/2.

Cement shall be Type II Portland cement as specified for concrete masonry.

Water Gate Boxes Adjusted: The Contractor shall excavate, raise and reset to within 1/8" of proposed line and grade, all water gate boxes as directed by the Engineer.

The work shall consist of adjusting line and/or grade of the existing boxes including excavating, raising and pouring new concrete collars in accordance with the enclosed detail titled: "Concrete Collar for Gate Boxes" in Appendix C.

Inadequate Castings: If, in the opinion of the Engineer, any of the castings to be adjusted (either frames and covers/grates or water gate boxes) are inadequate, new castings shall be furnished to replace them. The Contractor shall provide new drainage castings and the Owner shall provide new sewer and water castings.

The Contractor shall excavate and remove the inadequate casting and replace it with the new casting. The inadequate castings shall be set aside for salvage by the City.

Gravel Base Restoration: The Contractor, after properly adjusting the structure, shall restore the gravel road base before the placement of the cement concrete collar. Compaction shall be by mechanical means to 95 percent of the maximum dry density in conformance with Section 400 of the “Standard Specifications for Highway and Bridges”, 2023 Edition, Massachusetts Department of Public Works.

Gravel shall be salvaged from the existing base and reused as base course. When extra gravel is necessary it shall conform to Section M1.03.1, Processed Gravel, “Standard Specifications for Highway and Bridges”, 2023 Edition, Massachusetts Department of Public Works.

Cement Concrete Collars: The Contractor shall pour and properly cure concrete collars for both sewer and drain structures, as well as water gate boxes. This work shall conform to the details in Appendix C.

Cement concrete for the proposed collars shall conform to Section M4 of the “Standard Specifications for Highway and Bridges”, 2023 Edition, Massachusetts Department of Public Works. All cement concrete for water gate box collars shall be 4000 PSI, High Early Mix.

Placement and curing of cement concrete shall conform to all applicable requirements of Section 900 of said “Standard Specifications for Highway and Bridges”, 2023 Edition, Massachusetts Department of Public Works.

ITEM 4 – COLD PLANING BITUMINOUS CONCRETE

- 4.1 The work consists of removing 0”-3” of bituminous concrete by cold planer in designated areas on various streets. The cold planer operation shall conform to the specifications set forth in Section 120.66 of the Commonwealth of Massachusetts Department of Public Works, “Standard Specifications for Highways and Bridges”, 2023 Edition, as amended and corrected. The cold planer must meet all weight requirements for work on bridge decks.
- 4.2 The ground up pavement shall be removed and properly disposed of by the Contractor.
- 4.3 The amount of bituminous concrete planed shall be based upon the directions of the Engineer or his/her representative.

ITEMS 5, 6 & 7 – FURNISHING NEW CASTINGS

Inadequate Castings: If, in the opinion of the Engineer, any castings (either covers, frames and grates, or water gate or curb boxes) are inadequate, the Contractor shall be responsible for replacing them. The Contractor shall be responsible for furnishing and delivering to the site new castings for drain manholes and catch basins and the City of Greenfield shall be responsible for furnishing and delivering to the site new castings for sewer manholes and water gate and curb boxes. Castings shall conform to the enclosed detail sheets from East Jordan Iron Works or approved equal, in Appendix C.

The Contractor shall excavate and remove the inadequate casting and replace it with the provided new casting. The inadequate castings shall be set aside for salvage by the City.

For payment purposes, a casting removed and replaced with one provided by the Contractor or by the Owner, will be compensated at the same price as a casting removed and reset under the appropriate bid item.

Submittals: The Contractor shall submit shop drawings for all castings to be furnished and shall not proceed with replacing castings until all submittals have been received and approved by the Owner. If the Contractor proceeds with this work without prior approval, they do so at their own risk and expense.

ITEM 8 – STRUCTURES REMODELED

General: The Contractor shall furnish all labor, materials and equipment and shall do all work necessary to remodel sewer or drain structures as directed by the Engineer.

The work shall consist of removing castings and deteriorated masonry until a clean sound base is obtained upon which concrete blocks and clay bricks may be used to rebuild the structure.

The remodeling shall conform to the Commonwealth of Massachusetts Department of Public Works “Standard Specifications for Highways and Bridges”, 2023 Edition, applicable parts of Section 201.

ITEM 9 – TACK COAT

General: The Contractor shall furnish all labor, materials and equipment and shall do all work necessary to apply Asphalt Emulsion “Tack Coat” as directed by the Engineer.

All pavement surfaces shall be tack coated immediately prior to placing each HMA lift. HMA placed over milled surfaces shall be tack coated at an application rate of 0.07 gallon per square yard. HMA placed over smooth pavements (unmilled) shall be tack coated at an application rate of 0.05 gallons per square yard.

Tack coat shall conform to the requirements of M3.11.06 of the Commonwealth of Massachusetts Department of Public Works “Standard Specifications for Highways and Bridges”, 2023 Edition, as amended and corrected.

The existing surface shall be cleaned of all foreign matter and loose material and shall be dry before the tack coat is placed.

ITEM 10 – BITUMINOUS CONCRETE DRIVEWAY APRONS

General. The Contractor shall furnish all labor, materials, tools, and equipment necessary to construct bituminous concrete driveway aprons as indicated on the drawings or directed by the Engineer and as herein specified.

Prior to paving, the Contractor shall prepare the driveway apron surface by sweeping or milling if necessary and placing tack coat in accordance with the specifications herein provided.

Pavement shall be placed so that the whole area will have a true and uniform surface and will conform to the proper grade and cross section.

The paving plant used by the Contractor in preparation of the bituminous concrete shall be acceptable to the Engineer who shall have the right to inspect the plant and making of the material.

All manhole covers, catch basin grates, and valve and meter boxes within a driveway apron shall be adequately protected and adjusted to grade in accordance with the specifications herein provided.

Bituminous Concrete. Bituminous concrete shall conform to the specifications set forth by the applicable subsections of the Commonwealth of Massachusetts, Department of Public Works, “Standards Specifications for Highways and Bridges”, 2023 Edition, as amended and corrected. Pavement thickness shall be equal to a 2-inch base course (if necessary) and a 1 ½ -inch top course.

SECTION 6
SPECIAL CONDITIONS

SECTION 6 SPECIAL CONDITIONS

- 6.1 Construction Warning Signs. All construction warning signs shall be erected in accordance with the Manual on Uniform Traffic Control Devices for Streets and Highways. All construction warning signs shall be erected and maintained by the Contractor at its own expense.
- 6.2 Traffic Control. For control of moderate traffic, the Contractor shall provide an adequate number of flagmen employed at its own expense.

Whenever and wherever, in the opinion of the Owner, traffic is sufficiently congested or public safety is endangered, the Contractor shall be responsible for furnishing uniformed special officers to direct traffic and to keep traffic off the highway area affected by construction operations. Such officers shall be in addition to the watchmen, required under other provisions of the Contract. **The Owner shall be responsible for payment of all uniformed special officers. The Contractor shall be responsible for scheduling all uniformed special officers a minimum of 24 hours in advance. When scheduling, the Contractor shall inform Police Dispatch that they are working on behalf of the City of Greenfield DPW and all invoices shall be sent to 189 Wells Street.** A minimum 4 hour notice is required to cancel a scheduled detail.

The employment or presence of traffic flagmen, special officers, or police shall, in no way, relieve the Contractor of any its responsibilities or liabilities under the terms of the Contract.

- 6.3 Traffic Control Signs. The Owner will provide traffic control signage as required for the paving operation to include detour and road closing signs. Where streets are to be closed, detour signage will be set up by the Contractor at the direction of the Engineer. Where one-lane traffic is required, signage will be placed in accordance with the M.U.T.C.D. Police and/or flagmen will be used as directed by the Owner. The Contractor shall be responsible for providing “Bump” signs at all joints.
- 6.4 Quality Control (QC) Plan.
The Contractor shall submit a Quality Control (QC) Plan a minimum of 30 days prior to the scheduled commencement of work, which must be approved by the Owner. The QC Plan shall meet all requirements as specified in “Standard Specifications for Highways and Bridges”, Commonwealth of Massachusetts, Department of Public Works, 2023 Edition, as amended and corrected.
- 6.5 Construction Plan. One week before commencement of construction, the Contractor shall present a construction plan, in writing, outlining a proposed schedule, hours of operation, sequence of operations and uniformed special officer needs.
- 6.6 Contractor Responsibility. During all other aspects of the paving operation i.e. structure removal or adjusting, the Contractor shall provide and place all signage

required in accordance with the M.U.T.C.D. for work zone protection. The structure operation shall be set up to affect only one travel lane at a time.

6.7 Work Schedule. The Contractor shall perform all Work between the hours of 6:00a.m. to 5:00p.m., Monday through Friday. No work shall be allowed on weekends or holidays unless prior approval is granted by the Engineer/Owner.

6.8 Monthly Price Adjustment for Hot Mix Asphalt (HMA) Mixtures. The Price Adjustment for HMA will be based on the variance in price for the liquid asphalt component only from the Base Price, which is listed in Section 1 – Information for Bidders, to the Period Price. It shall not include transportation or other charges. This Price Adjustment will occur on a monthly basis.

The Period Price will be based on the “New Asphalt Period Price Method” posted each month on the MassDOT website at <http://www.mhd.state.ma.us/>. The “New Asphalt Period Price Method” is for contracts bid after December 15, 2008 and will show the Period Price of liquid asphalt for each monthly period as determined by MassDOT using the average selling price per standard ton of PG64-28 paving grade (primary binder classification) asphalt, FOB manufacturer’s terminal, as listed under the “East Coast Market – New England, Boston, Massachusetts area” section of the Poten & Partners, Inc. “Asphalt Weekly Monitor”. Poten and Partners has granted MassDOT the right to publish this specific asphalt price information sourced from the Asphalt Weekly Monitor.

The Contract price of the hot mix asphalt mixture will be paid under the respective item in the Contract. The price adjustment, as herein provided, upwards or downwards, will be made after the work has been performed, using the monthly period price for the month during which the work was performed.

The Price Adjustment applies only to the actual virgin liquid asphalt content in the mixture placed on the job. The Price Adjustment will be a separate payment item. It will be determined by multiplying the number of tons of hot mix asphalt mixtures placed during each monthly period times the liquid asphalt content percentage times the variance in price between Base Price and Period Price of liquid asphalt. This Price Adjustment will be paid only if the variance from the Base Price is 5% or more for a monthly period. The complete adjustment will be paid in all cases with no deduction of the 5% from either upward or downward adjustments. No Price Adjustment will be allowed beyond the completion date of this Contract, unless there is an approved extension of time.

6.9 Monthly Price Adjustment for Diesel Fuel and Gasoline. This adjustment will be based on fuel usage factors for various items of work developed by the Highway Research Board in Circular 158, dated July 1974. These factors will be multiplied by the quantities of work done in each item during each monthly period and further multiplied by the variance in price from the Base Price, which is listed in Section 1 – Information for Bidders, to the Period Price.

The Period Price of diesel fuel and gasoline will be the average of prices charged to the State, including State Tax for the bulk purchases made during each month.

This Price Adjustment will be paid only if the variance from the Base Price is 5% or more for a monthly period. The complete adjustment will be paid in all cases with no deduction of the 5% from either upward or downward adjustments. No Price Adjustment will be allowed beyond the completion date of this Contract, unless there is an approved extension of time.

Any adjustment (increase or decrease) to estimated quantities made to each item at the time of final payment will have the fuel price adjustment figured at the average period price for the entire term of the project for the difference of quantity.

The fuel price adjustment will apply only to the following items of work at the fuel factors shown:

ITEMS COVERED	FUEL FACTORS	
	Diesel	Gasoline
Excavation and Borrow Work:	0.29 Gallons/CY	0.15 Gallons/CY
Surfacing Work: All Items containing Hot Mix Asphalt	2.90 Gallons/Ton	Does Not Apply

- 6.10 Progress Payments. Progress payments will be made in amount equal to 95 percent of the Work completed with the balance being retainage but, in each case, less the aggregate of payments previously made.
- 6.11 Final Payment. Upon final completion and acceptance of the Work, the Owner shall pay the remainder of the Contract Price.

SECTION 7
GENERAL CONDITIONS

SECTION 7
GENERAL CONDITIONS

TITLE

7.1 Definitions.....

7.2 Obligations and Liability of Contractor.....

7.3 Planning and Progress Schedules.....

7.4 Supervision of Work.....

7.5 Patents.....

7.6 Electrical Energy.....

7.7 Compliance with Laws.....

7.8 Provisions Required by Law Deemed Inserted.....

7.9 Permits.....

7.10 Not to Sublet or Assign.....

7.11 Delay by City.....

7.12 Time for Completion.....

7.13 Liquidated Damages.....

7.14 Employ Sufficient Labor and Equipment.....

7.15 Handling and Distribution.....

7.16 Occupying Private Land.....

7.17 Interference With and Protection of Streets.....

7.18 Safety.....

7.19 Sanitary Regulations.....

7.20 Intoxicating Liquors.....

7.21 Access to Work.....

7.22 Examination of Work.....

7.23 Defective Work, Etc.....

7.24 Precautions During Adverse Weather.....

7.25 Right to Materials.....

7.26 Changes.....

7.27 Extra Work.....

7.28 Extension of Time on Account of Extra Work.....

7.29 Changes Not to Affect Bonds.....

7.30 Claims for Damages.....

7.31 Abandonment of Work or Other Default.....

7.32 Prices for Work.....

7.33 Formal Acceptance.....

7.34 Progress Estimates.....

7.35 Partial Acceptance.....

7.36 Final Estimate and Payment.....

7.37 Liens.....

7.38 Claims.....

7.39 No Waiver.....

7.40 Liability of City.....

7.41 Guarantee.....

7.42 Cleaning Up.....

7.43 Legal Address of Contractor.....

7.44 Modification of Termination.....

7.1 **Definitions.** Wherever the words hereinafter defined or pronouns used in their stead occur in the Contract Documents, they shall have the following meanings:

The word "Owner" shall mean the City of Greenfield.

The word "Contractor" shall mean the party of the second part above designated.

The word "Specifications" when used herein shall be deemed to refer to both the General and Technical Specifications.

The words "herein", "hereinafter", "hereunder" and words of like import shall be deemed to refer to the Contract Documents.

7.2 **Obligations and Liability of Contractor.** The Contractor shall do all the work and perform and furnish all the labor, services, materials, equipment, plant, machinery, apparatus, appliances, tools, supplies and all other things (except as otherwise expressly provided herein) necessary and as herein specified for the proper performance and completion of the Work in the manner and within the time hereinafter specified, in strict accordance with the Specifications and other Contract Documents, in conformity with the directions and to the satisfaction of the City, and at the prices herein agreed upon.

All parts of the Work and all fixtures, equipment, apparatus and other items indicated in the Specifications and all work and material usual and necessary to make the Work complete in all its parts, including all incidental work necessary to make it complete and satisfactory and ready for use and operation, whether or not they are mentioned in the Specifications, shall be furnished and executed the same as if they were called for by the Specifications.

The Contractor shall conduct its work so as to interfere as little as possible with private business and public travel. Wherever and whenever necessary or required, the Contractor shall maintain fences, furnish watchmen, maintain lights, and take such other precautions as may be necessary to protect life and property.

The Contractor shall indemnify and save harmless the City and its officers, agents, servants, and employees from and against any and all claims, demands, suits, proceedings liabilities, judgments, awards, losses, damages, costs and expenses, including attorney's fees, on account of bodily injury, sickness, disease or death sustained by any person or persons or injury or damage to or destruction of any property, directly or indirectly arising out of, relating to or in connection with the Work, whether or not due or claimed to be due in whole or in part to the active, passive or concurrent negligence or fault of the Contractor, its officers, agents, servants or employees, any of its subcontractors, the City or any of its respective officers, agents, servants or employees and/or any other person or persons, and whether or not such claims, demands, suits or proceedings are just, unjust, groundless, false or fraudulent; and the Contractor shall and does hereby assume and agrees to pay for the defense of all such claims, demands, suits and proceedings.

The Contractor shall have complete responsibility for the Work and the protection thereof, and for preventing injuries to persons and damage to the Work and property and utilities on or about the Work, until final completion and final acceptance thereof. The Contractor shall, in no way, be relieved of its responsibility by any right of the City to

give permission or directions relating to any part of the Work, by any such permission or directions given, or by failure of the City to give such permission or directions. The Contractor shall bear all costs, expenses, losses and damages on account of the quantity or character of the Work or the nature of the land (including but not limited to subsurface conditions) in or under or on which the Work is done being different from those indicated or shown in the Contract Documents or from what was estimated or expected, or on account of the weather, elements, or other causes.

The Contractor shall conduct its operations so as not to damage existing structures or work installed either by itself or by other contractors. In case of any such damage resulting from its operations, the Contractor shall repair and make good as new the damaged portions at its own expense with the consent of the damaged party. In the event that consent is not given, the Contractor shall continue to be liable for the damage caused.

The Contractor shall be as fully responsible to the City for the acts and omissions of its subcontractors, its officers, agents, servants and employees as it is for its own acts and omissions and those of its officers, agents, servants and employees.

Should the Contractor sustain any loss, damage or delay through any act or omission of any other contractor or any subcontractor of any such other contractor, the Contractor shall have no claim against the City therefore, other than for any extension of time, but shall have recourse solely to such other contractor or subcontractor.

If any other contractor or any subcontractor of any such other contractor shall suffer or claim to have suffered loss, damage or delay by reason of the acts or omissions of the Contractor or of any of its subcontractors, the Contractor agrees to assume the defense against any such claim and to reimburse such other contractor or subcontractor for such loss or damage. The Contractor agrees to and does hereby indemnify and save harmless the City from and against any and all claims by such other contractors or subcontractors alleging such loss, damage or delay and from and against any and all claims, demands, suits, proceedings, liabilities, judgments, awards, losses, damages, costs and expenses, including attorneys' fees, arising out of, relating to or resulting from such claims.

The Contractor shall promptly pay all federal, state and local taxes which may be assessed against itself in connection with the Work or its operations under the AGREEMENT and/or the other Contract Documents, including but not limited to, taxes attributable to the purchase of material and equipment, to the performance of services, and the employment of persons in the prosecution of the Work.

7.3 **Planning and Progress Schedules.** The Contractor shall submit to and for the approval of the Engineer, a detailed schedule of operations. The schedule shall show the proposed methods of construction and sequence of work and the time the Contractor proposes to complete the various items of work within the time specified in the Contract. No work shall begin until the Progress Schedule is approved by the Engineer.

If the Contractor's operations are materially affected by changes in the plans or in the quantity of the Work or if it has failed to comply with the submitted and approved schedule, the Contractor shall submit a revised schedule if requested by the Engineer within seven days after the date of the Engineer's request. This revised schedule shall

show how the Contractor proposes to prosecute the balance of the Work, so as to complete the Work within the time specified in the Contract.

- 7.4 **Supervision of Work.** The Contractor shall be solely responsible for supervision of the Work, shall give the Work the constant attention necessary to ensure the expeditious and orderly progress thereof, and shall cooperate with the City in every possible way.

At all times, the Contractor shall have as its agent on the Work a competent superintendent capable of reading and thoroughly understanding the Specifications, with full authority to execute the directions of the City, without delay, and to supply promptly such labor, services, materials, equipment, plant, apparatus, appliances, tools, supplies and other items as may be required. Such superintendent shall not be removed from the Work without the prior written consent of the City. If, in the opinion of the City, the superintendent or any successor proves incompetent, the Contractor shall replace him/her with another person approved by the City; such approval, however, shall, in no way, relieve or diminish the Contractor's responsibility for the supervision of the Work.

Whenever the Contractor or its agent or superintendent is not present on any part of the Work where it may be necessary to give directions or instructions with respect to such Work, such directions or instructions may be given by the City to, and shall be received and obeyed by the foreman or any other person in charge of the particular work involved.

- 7.5 **Patents.** The Contractor shall indemnify and save harmless the City and all persons acting for or on behalf of the City from all claims and liability of any nature or kind, and all damages, costs and expenses, including attorneys' fees, arising from or occasioned by any infringement or alleged infringement of any patents or patent rights on any invention, process, material, equipment, article or apparatus, or any part thereof, furnished and installed by the Contractor, or arising from or occasioned by the use or manufacture thereof, including their use by the City.

- 7.6 **Electrical Energy.** The Contractor shall make all necessary applications and arrangements and pay all fees and charges for electrical energy for power and light necessary for the proper completion of the Work and during its entire progress. The Contractor shall provide and pay for all temporary wiring, switches, connections and meters.

The Contractor shall provide sufficient lighting so that all work may be done in a workman like manner when there is not sufficient daylight.

- 7.7 **Compliance with Laws.** The Contractor shall keep itself fully informed of all existing and future federal, state and local laws, ordinances, rules, and regulations affecting those engaged or employed on the Work, the material and equipment used in the Work or the conduct of the Work, and of all orders, decrees and other requirements of bodies or tribunals having any jurisdiction or authority over the same. If any discrepancy or inconsistency is discovered in the Specifications or other Contract Documents in relation to any such law, ordinance, rule, regulation, order, decree, or other requirement, the Contractor shall forthwith report the same to the City in writing. The Contractor shall, at all times, observe and comply with, and cause all its agents, servants, employees and subcontractors to observe and comply with all such existing and future laws, ordinances, rules, regulations, orders, decrees and other requirements, and it shall protect, indemnify and save harmless the City, its officers, agents, servants and employees, from and against

any and all claims, demands, suits, proceedings, liabilities, judgments, penalties, losses, damages, costs and expenses, including attorneys' fees, arising from or based upon any violation or claimed violation of any such law, ordinance, rule, regulation, order, decree or other requirement, whether committed by the Contractor or any of its agents, servants, employees or subcontractors.

- 7.8 **Provisions Required by Law Deemed Inserted.** Each and every provision of law and clause required by law to be inserted in the Contract shall be deemed to be inserted herein, and the Contract shall be read and enforced as though they were included herein. If through mistake or otherwise any such provision is not inserted, or is not correctly inserted, then upon the application of either party the Contract shall forthwith be physically amended to make such insertion.
- 7.9 **Permits.** The Contractor shall, at its own expense, take out and maintain all necessary permits from the county, municipal, or other public authorities; shall give all notices required by law; and shall post all bonds and pay all fees and charges incident to the due and lawful prosecution of the Work.
- 7.10 **Not to Sublet or Assign.** The Contractor shall constantly give its personal attention to the faithful prosecution of the Work, shall keep the same under its personal control, shall not assign the Contract or sublet the Work or any part thereof without the previous written consent of the City, and shall not assign any of the monies payable under the Contract, or its claim thereto, unless by and with the like written consent of the City and the surety on the contract bonds. Any assignment or subletting in violation hereof shall be void and unenforceable.
- 7.11 **Delay by City.** The City may delay the beginning of the Work or any part thereof if the necessary lands or rights of way for such work shall not have been obtained. The Contractor shall have no claim for additional compensation or damages on account of such delay, but shall be entitled only to an extension of time as hereinafter provided.
- 7.12 **Time for Completion.** The rate of progress shall be such that the Work shall be performed and completed in accordance with the Contract before the expiration of the time limit stipulated under INFORMATION FOR BIDDERS, except as otherwise expressly provided herein.

It is agreed that the rate of progress herein required has been purposely made low enough to allow for the ordinary and foreseeable delays incident to work of this character. No extension of time will be given for ordinary or foreseeable delays, inclement weather, or accidents, and the occurrence of such will not relieve the Contractor from the necessity of maintaining this rate of progress and completing the Work within the stipulated time limit.

If delays are caused by acts of God, acts of Government, unavoidable strikes, extra work, or other causes or contingencies clearly beyond the control or responsibility of the Contractor, the Contractor may be entitled to additional time to perform and complete the Work, provided that the Contractor shall, within ten (10) days from the beginning of such delay notify the City, in writing, of the cause and particulars of the delay. Upon receipt of such notification, the City shall review and evaluate the cause and extent of the delay. If, under the terms of the AGREEMENT, the delay is properly excusable, the City will, in writing, appropriately extend the time for completion of the Work. The Contractor

agrees that it shall not have or assert any claim for nor shall it be entitled to any additional compensation or damages on account of such delays.

- 7.13 **Liquidated Damages.** In case the Contractor fails to complete the Work satisfactorily on or before the date of completion fixed herein or as duly extended as hereinbefore provided, the Contractor agrees that the City shall deduct from the payments due the Contractor each month, the sum of five hundred (\$500) dollars for each calendar day of delay. If the payments due the Contractor are less than the amount of such liquidated damages, said damages shall be deducted from any such monies due or to become due the Contractor, and, in case such damages shall exceed the amount of all monies due or to become due the Contractor, the Contractor or its surety shall pay the balance to the Owner.
- 7.14 **Employ Sufficient Labor and Equipment.** If, in the sole judgment of the City, the Contractor is not employing sufficient labor, plant, equipment or other means to complete the Work within the time specified, the City may, after giving written notice, require the Contractor to employ such additional labor, plant, equipment and other means as the City deems necessary to enable the Work to progress properly.
- 7.15 **Handling and Distribution.** The Contractor shall handle, haul, and distribute all materials on the different portions of the Work, as necessary or required; shall provide suitable and adequate storage room for materials and equipment during the progress of the Work, and be responsible for the protection, loss of, or damage to materials and equipment furnished by it, until the final completion and acceptance of the Work.
- 7.16 **Occupying Private Land.** The Contractor shall not (except after written consent from the proper parties) enter or occupy with personnel, tools, materials, or equipment, any land outside the rights-of-way or property of the Owner. A copy of the written consent shall be given to the Engineer.
- 7.17 **Interference With and Protection of Streets.** The Contractor shall not close or obstruct any portion of a street, road, or private way without obtaining permits from the proper authorities. If any street, road or private way shall be rendered unsafe by the Contractor's operations, it shall make such repairs or provide such temporary ways or guards as shall be acceptable to the City.

Streets, roads, private ways, and walks not closed shall be maintained passable and safe by the Contractor, who shall assume and have full responsibility for the adequacy and safety of provisions made therefore.

The Contractor shall, at least 24 hours in advance, notify the Police and Fire Departments, in writing, with a copy to the Department of Public Works, if the closure of a street or road is necessary. The Contractor shall cooperate with the Police Department in the establishment of alternate routes and shall provide adequate detour signs, plainly marked and well lighted, in order to minimize confusion.

- 7.18 **Safety.** The Contractor shall take all necessary precautions and provide all necessary safeguards to prevent personal injury and property damage. The Contractor shall provide protection for all persons including but not limited to its employees and employees of other contractors or subcontractors; members of the public; and employees, agents, and representatives of the City, and regulatory agencies that may be on or about the Work.

The Contractor shall provide protection for all public and private property including but not limited to structures, pipes and utilities, above and below ground.

The Contractor shall provide and maintain all necessary safety equipment such as fences, barriers, signs, lights, walkways, guards and fire prevention and fire fighting equipment and shall take such other action as is required to fulfill its obligations under this subsection.

The Contractor shall comply with all applicable federal, state and local laws, ordinances, rules and regulations and lawful orders of all authorities having jurisdiction for the safety of persons and protection of property.

The Contractor shall designate a responsible member of its organization at the site whose duty shall be the prevention of accidents. This responsible person shall have the authority to take immediate action to correct unsafe or hazardous conditions and to enforce safety precautions and programs.

- 7.19 **Sanitary Regulations.** The Contractor shall provide adequate sanitary facilities for the use of those employed on the Work. Such facilities shall be made available when the first employees arrive on the site of the Work, shall be properly secluded from public observation, and shall be constructed and maintained during the progress of the Work in suitable numbers and at such points and in such manner as may be required or approved.

The Contractor shall maintain the sanitary facilities in a satisfactory and sanitary condition at all times and shall enforce their use. The Contractor shall rigorously prohibit the committing of nuisances on the site of the Work, on the lands of the Owner, or on adjacent property.

The City shall have the right to inspect such facilities at all times to determine whether or not they are being properly and adequately maintained.

- 7.20 **Intoxicating Liquors.** The Contractor shall not sell and shall neither permit nor suffer the introduction or use of intoxicating liquors upon or about the Work.

- 7.21 **Access to Work.** The City and its officers, agents, servants and employees may at all times and for any and all purposes, enter upon the Work and the site thereof and the premises used by the Contractor, and the Contractor shall at all times provide safe and proper facilities therefore.

- 7.22 **Examination of the Work.** The City shall be furnished by the Contractor with every reasonable facility for examining and inspecting the Work and for ascertaining that the Work is being performed in accordance with the requirements and intent of the Contract, even to the extent of requiring the uncovering or taking down portions of finished work by the Contractor.

Should the work thus uncovered or taken down prove satisfactory, the cost of uncovering or taking down and the replacement thereof shall be considered as extra work unless the original work was done in violation of the Contract in point in time or in the absence of the Engineer or his/her inspector and without his/her written authorization, in which case said cost shall be borne by the Contractor. Should the work uncovered or taken down prove unsatisfactory, said cost shall likewise be borne by the Contractor.

Examination or inspection of the Work shall not relieve the Contractor of any of its obligations to perform and complete the Work as required by the Contract.

- 7.23 **Defective Work, Etc.** Until acceptance and during the applicable guarantee period thereafter, the Contractor shall promptly, without charge, repair, correct or replace work, equipment, materials, apparatus or parts thereof which are defective, damaged or unsuitable or which in any way fail to comply with or be in strict accordance with the provisions and requirements of the Contract or applicable guarantee and shall pay to the City all resulting costs, expenses, losses or damages suffered by the City.

If any material, equipment, apparatus or other items brought upon the site for use or incorporation in the Work, or selected for the same, is rejected by the City as unsuitable or not in conformity with the Specifications or any of the other Contract Documents, the Contractor shall forthwith remove such materials, equipment, apparatus and other items from the site of the Work and shall at its own cost and expense make good and replace the same.

- 7.24 **Precautions During Adverse Weather.** During adverse weather and against the possibility thereof, the Contractor shall take all necessary precautions so that the Work may be properly done, and satisfactory in all respects.

- 7.25 **Right to Materials.** Nothing in the Contract shall be construed as vesting in the Contractor any right of property in the materials, equipment, apparatus and other items furnished after they have been installed or incorporated in or attached or affixed to the Work or the site, but all such materials, equipment, apparatus and other items shall, upon being so installed, incorporated, attached or affixed, become the property of the City. Nothing in this subsection shall relieve the Contractor of its duty to protect and maintain all such materials, equipment, apparatus and other items.

- 7.26 **Changes.** The City may make changes in the Work and in the Specifications therefore by making alterations therein, additions thereto or omissions therefrom. All work resulting from such changes shall be performed and furnished under and pursuant to the terms and conditions of the Contract. If such changes result in an increase or decrease in the work to be done hereunder, or increase or decrease the quantities thereof, adjustment in compensation shall be made therefore at the unit prices stipulated in the Contract for such work.

Except in an emergency endangering life or property, no change shall be made unless in pursuance of a written order from the City authorizing the change, and no claim for additional compensation shall be valid unless the change is so ordered.

The Contractor agrees that it shall neither have or assert any claim for or be entitled to any additional compensation for damages or for loss of anticipated profits on work that is eliminated.

- 7.27 **Extra Work.** The Contractor shall perform any extra work (work in connection with the Contract but not provided for herein) when and as ordered in writing by the City, at the unit prices stipulated in the Contract for such work or, if none are so stipulated, either (a) at the price agreed upon before such work is commenced and named in the written order for such work, or (b) if the City so elects, for the actual cost of such work, as determined

by the Contractor and approved by the City, plus a percentage of such cost, as set forth below. No extra work shall be paid for unless specifically ordered as such in writing by the City.

The cost of extra work done under (b) above shall include the actual cost to the Contractor of materials used and equipment installed, common and skilled labor, and foremen, and the fair rental of all machinery and equipment used on the extra work for the period of such use.

At the request of the City, the Contractor shall furnish itemized statement of the cost of the extra work ordered as above and give the City access to all records, accounts, bills and vouchers and correspondence relating thereto.

The Contractor may include in the cost of extra work the amounts of additional premiums, if any, (other than premiums on bonds) paid on the required insurance on account of such extra work, of Social Security or other direct assessments upon the Contractor's payroll by federal or other properly authorized public agencies, and of other approved assessments when such assessments are not normally included in payments made by the Contractor directly to its employees, but in fact, are, and are customarily recognized as, part of the cost of doing work.

The fair rental of all machinery and equipment shall be based upon the most recent edition of "Compilation of Rental Rates for Construction Equipment", published by the Associated Equipment Distributors, or a similar publication approved by the City. Rental for machinery or equipment shall be based upon an appropriate fraction of the approved monthly rate schedule. If said extra work requires the use of machinery or equipment not already on the site of the Work, the cost of transportation, not exceeding a distance of 100 miles, of such machinery or equipment to and from the Work shall be added to the fair monthly rate; provided however, that this shall not apply to machinery or equipment already required to be furnished under the terms of the Contract.

The Contractor shall not include in the cost of extra work any cost or rental of small tools, building, or any portion of the time of the Contractor, its superintendent, or its office and engineering staff.

To the cost of extra work done by the Contractor's own forces under (b) above (determined as stated above), the Contractor shall add 15 percent to cover its overhead, use of capital, the premium on the bonds as assessed upon the amount of this extra work, and profit.

In the case of extra work done under (b) above by a subcontractor, the subcontractor shall compute, as above, its cost for the extra work, to which it shall add 15 percent as in the case of the Contractor, and the Contractor shall be allowed an additional 15 percent of the subcontractor's cost for the extra work to cover the costs of the Contractor's overhead, use of capital, the premium on the bonds as assessed upon the amount of this extra work, and profit. Said subcontractor's cost must be reasonable and approved by the City.

If extra work is done under (b) above, the Contractor and/or subcontractor shall keep daily records of such extra work. The daily record shall include the names of persons employed, the nature of the work performed, and hours worked, materials and equipment incorporated, and machinery or equipment used, if any, in the prosecution of such extra

work. This daily record, to constitute verification that the work was done, must be signed both by the Contractor's authorized representative and by the City. A separate daily record shall be submitted for each extra work order.

- 7.28 **Extension of Time on Account of Extra Work.** When extra work is ordered near the completion of the Contract or at any time during the progress of the Work which unavoidably increases the time for the completion of the Work, an extension of time shall be granted as hereinbefore provided.
- 7.29 **Changes Not to Affect Bonds.** It is distinctly agreed and understood that any changes made in the Work or the drawings or specifications therefore (whether such changes increase or decrease the amount thereof or the time required for its performance) or any changes in the manner or time of payments made by the City to the Contractor, or any other modifications of the Contract, shall in no way annul, release, diminish or affect the liability of the surety on the contract bonds given by the Contractor, it being the intent hereof that notwithstanding such changes the liability of the surety on said bonds continue and remain in full force and effect.
- 7.30 **Claims for Damages.** If the Contractor makes claim to any damages alleged to have been sustained by breach of contract or otherwise, it shall, within ten (10) days after occurrence of the alleged breach or within ten (10) days after such damages are alleged to have been sustained, whichever date is earlier, file with the City a written, itemized statement in triplicate of the details of the alleged breach and the details and amount of the alleged damages. The Contractor agrees that unless such statement is made and filed as so required, its claim for damages shall be deemed waived, invalid and unenforceable, and that it shall not be entitled to any compensation for any such alleged damages.
- 7.31 **Abandonment of Work or Other Default.** If the Work shall be abandoned, or any part thereof shall be sublet without previous written consent of the City, or the Contract or any monies payable hereunder shall be assigned otherwise than as herein specified, that the conditions herein specified as to rate of progress are not being complied with, or that the Work or any part thereof is being unnecessarily or unreasonably delayed, or that the Contractor has violated or is in default under any of the provisions of the Contract, or if the Contractor becomes bankrupt or insolvent or goes or is put into liquidation or dissolution, either voluntarily or involuntarily, or petitions for an arrangement or reorganization under the Bankruptcy Act, or makes a general assignment for the benefit of creditors or otherwise acknowledges insolvency, the happening of any of which shall be and constitute a default under the Contract, the City may notify the Contractor in writing, with a copy of such notice mailed to the surety, to discontinue all work or any part thereof; thereupon the Contractor shall discontinue such work or such part thereof as the City may designate; and the City may, upon giving such notice by contract or otherwise as it may determine, complete the Work or such part thereof and charge the entire cost and expense of so completing the Work or such part thereof to the Contractor. In addition to the said entire cost and expense of completing the work, the City shall be entitled to reimbursement from the Contractor and the Contractor agrees to pay to the City any losses, damages, costs and expenses, including attorney's fees, sustained or incurred by the City by reason of any of the foregoing causes. For the purposes of such completion, the City may, for itself, or for any contractors employed by the City, take possession of and use or cause to be used any and all materials, equipment, plant, machinery, appliances, tools, supplies and such other items of every description that may be found or located at the site of the Work.

All costs, expenses, losses, damages, attorney's fees and any and all other charges incurred by the City under this subsection shall be charged against the Contractor and deducted and/or paid by the City out of the monies due or payable or to become due or payable under the Contract to the Contractor; in computing the amounts chargeable to the Contractor, the City shall not be held to a basis of the lowest prices for which the completion of the Work or any part thereof might have been accomplished, but all sums actually paid or obligated therefore to effect its prompt completion shall be charged to and against the account of the Contractor. In case the costs, expenses, losses, damages, attorney's fees and other charges together with all payments therefore made to or for the account of the Contractor if the Work had been properly performed and completed by the Contractor, the Contractor shall be entitled to receive the difference, and, in case such costs, expenses, losses, damages, attorney's fees and other charges, together with all payments therefore made to or for the account of the Contractor, shall exceed the said sum, the Contractor shall pay the amount of the excess to the City.

- 7.32 **Prices for Work.** The City shall pay and the Contractor shall receive the prices stipulated in the BID made a part hereof as full compensation for everything performed and furnished and for all risks and obligations undertaken by the Contractor under and as required by the Contract.
- 7.33 **Formal Acceptance.** Fixing of the date of completion and acceptance of the Work or a specified part thereof shall only be effective when accomplished by a writing specifically so stating and signed by the City.
- 7.34 **Progress Estimates.** Once a month, except as hereinafter provided, the City shall make an estimate in writing of the total amount and value of the work done to the first of the month by the Contractor. The City shall retain 5 percent of such estimated value, as part security for fulfillment of the Contract by the Contractor and shall deduct from the balance of all previous payments made to the Contractor, all sums chargeable against the Contractor and all sums to be retained under the provisions of the Contract. The City shall pay monthly to the Contractor the balance not deducted and/or retained as aforesaid, except that payment may be withheld at any time, if in the judgment of the City, the Work is not proceeding in accordance with the Contract. If the City deems it expedient to do so, it may cause estimates and payments to be made more frequently than once in each month. No progress estimate or payment need be made when in the judgment of the City, the total value of the Work done since the last estimate amounts to less than \$5,000.

Estimates of lump-sum items shall be based on a schedule dividing each such item into its appropriate component part, together with a quantity and a unit price for each part so that the sum of the products of prices and quantities will equal the contract price for the item. This schedule shall be submitted by Contractor for and must have the approval of the City before the first estimate becomes due.

If the City determines that the progress of the Work will be benefited by the delivery to the site of certain materials and equipment, when available, in advance of actual requirement therefore and if such materials and equipment are delivered and properly stored and protected, the cost to the Contractor or subcontractor as established by invoices or other suitable vouchers satisfactory to the City, less the retained percentages as above provided, may be included in the progress estimates; provided always that there be duly executed and delivered by the Contractor to the City at the same time a Bill of

Sale in form satisfactory to the City, transferring and assigning to the City full ownership and title to such materials or equipment.

- 7.35 **Partial Acceptance.** The City may at any time, in a written order to the Contractor (1) declare that it intends to use a specified part of the Work which, in its opinion, is sufficiently complete, in accordance with the Contract Documents, to permit its use; (2) enclose a tentative list of items remaining to be completed or corrected, and (3) fix the date of acceptance of that specified part of the Work.

Within 45 days after acceptance under this subsection, the City shall make an estimate, in writing, of the amount and value of the part of the Work, so accepted and shall pay said amount to the Contractor after deducting therefrom all previous payments, all charges against the Contractor as provided for hereunder, and all amounts to be retained under the provisions of the Contract, said payment to be made at the time of the next monthly progress estimate.

Acceptance by the City under this sub-section shall not relieve the Contractor of any obligations under the Contract Documents except to the extent agreed upon in writing between the City and the Contractor.

The City shall have the right to exclude the Contractor from any part of the Work which has been accepted, but the City will allow the Contractor reasonable access thereto to complete or correct items on the tentative list.

- 7.36 **Final Estimate and Payment.** As soon as practicable (but not more than sixty-five (65) days) after final completion of the Work, the City shall make a final estimate, in writing, of the quantity of work done under the Contract and the amount earned by the Contractor.

The City shall pay to the Contractor the entire amount found to be earned and due hereunder after deducting therefrom all previous payments, all charges against the Contractor as provided for hereunder, and all amounts to be retained under the provisions of the Contract. Except as in this sub-section otherwise provided such payment shall be made not later than fifteen (15) days after, but in no event before, the expiration of the time within which claims for labor performed or materials or equipment furnished must be filed under the applicable Lien Law, or, if such time is not specified by law, the expiration of thirty (30) days after the completion of the Engineer's final estimate. All quantities shown on progress estimates and all prior payments shall be subject to correction in the final estimate and payment.

- 7.37 **Liens.** If, at any time, any notices of lien are filed for labor performed or materials or equipment manufactured, furnished, or delivered to or for the Work, the Contractor shall, at its own cost and expense, promptly discharge, remove or otherwise dispose of the same, and until such discharge, removal or disposition, the City shall have the right to retain from any monies payable hereunder an amount which, in its sole judgment, it deems necessary to satisfy such liens and pay the costs and expenses, including attorneys' fees, of defending any actions brought to enforce the same, or incurred in connection therewith or by reason thereof.

- 7.38 **Claims.** If, at any time, there be any evidence of any claims for which the Contractor is or may be liable or responsible hereunder, the Contractor shall promptly settle or otherwise dispose of the same, and until such claims are settled or disposed of, the City

may retain from any monies which would otherwise be payable hereunder so much thereof as, in its sole judgment, it may deem necessary to settle or otherwise dispose of such claims and to pay the costs and expenses, including attorneys' fees, of defending any actions brought to enforce such claims, or incurred in connection therewith or by reason thereof.

- 7.39 **No Waiver.** Neither the inspection by the City, nor any order, measurement, approval, determination, decision of certificate by the City for the payment of money; nor any payment for or use, occupancy, possession or acceptance of the whole or any part of the Work by the City, nor any extension of time, nor any other act or omission of the City shall constitute or be deemed to be an acceptance of any defective or improper work, materials, or equipment nor operate as a waiver of any requirement or provision of the Contract, nor of any remedy, power or right of or herein reserved to the City, nor of any right to damages for breach of contract. Any and all rights and/or remedies provided for in the Contract are intended and shall be construed to be cumulative; and, in addition to each and every other right and remedy provided for herein or by law, the City shall be entitled as of right to a writ of injunction against any breach or threatened breach of the Contract by the Contractor, by its sub-contractors or by any other person or persons.
- 7.40 **Liability of City.** No person, firm or corporation, other than the Contractor, who signed the Contract as such, shall have any interest herein or right hereunder. No claim shall be made or be valid either against the City or any agent of the City and neither the City nor any agent of the City shall be liable for or be held to pay any money, except as herein provided. The acceptance by the Contractor of the payment as fixed in the final estimate shall operate as and shall be a full and complete release of the City and of every agent of the City of and from any and all claims, demands, damages and liabilities of, by or to the Contractor for anything done or furnished for or arising out of or relating to or by reason of the Work or for or on account of any act or neglect of the City or of any agent of the City or of any other person, arising out of, relating to or by reason of the Work, except the claim against the City for the unpaid balance, if any there be, of the amounts retained as herein provided.
- 7.41 **Guarantee.** The Contractor guarantees that the Work and services to be performed under the Contract, and all workmanship, materials and equipment performed, furnished, used or installed in the construction of the same, shall be free from defects and flaws, and shall be performed and furnished in strict accordance with the drawings, specifications, and other contract documents, that the strength of all parts of all manufactured equipment shall be adequate and as specified and that the performance test requirements of the Contract shall be fulfilled.
- 7.42 **Cleaning Up.** The Contractor, at all times, shall keep the site of the Work free from rubbish and debris caused by his operations under the Contract. When the Work has been completed, the Contractor shall remove from the site of the Work all of its plant, machinery, tools, construction equipment, temporary work and surplus materials so as to leave the Work and the site clean and ready for use.
- 7.43 **Legal Address of Contractor.** The Contractor's business address and its office at or near the site of the Work are both hereby designated as places to which communications in a postpaid wrapper directed to the Contractor's business address in a post office box regularly maintained by the Post Office Department or the delivery at either designated address of any letter, notice, or other communication by mail or otherwise shall be

deemed sufficient service thereof upon the Contractor, and the date of such service shall be the date of receipt. The first named address may be changed at any time by an instrument, in writing, executed and acknowledged by the Contractor and delivered to the City. Service of any notice, letter or other communication upon the Contractor personally shall likewise be deemed sufficient service.

7.44 **Modification of Termination.** Except as otherwise expressly provided herein, the Contract may not be modified except in writing signed by the parties hereto.

SECTION 8
MEASUREMENT AND PAYMENT

SECTION 8 MEASUREMENT AND PAYMENT

Item 1. Class I Bituminous Concrete Pavement Type I-1. The unit price for Item 1 shall constitute full compensation for furnishing, placing and compacting approved bituminous concrete in areas as indicated on the description of work and the plans, or as directed by the Engineer.

Under Item 1, the quantity of bituminous concrete shall be measured in tons to the nearest one tenth of a ton. The amount paid for will be the actual tons of bituminous concrete placed and compacted.

Item 2. Sewer and Drain Structures Adjusted. The unit price for Item 2 shall constitute full compensation for raising structure frames and grates to proposed grade and pitch including all materials and labor incidental to this work and not covered in other items. Structures to be raised shall be as directed by the Engineer. Frames and grates judged to be inadequate by the Engineer shall be removed and replaced with new frames and grates provided by the Contractor or Owner and compensation shall be the same for this alternative.

Item 3. Water Gate and Curb Boxes Adjusted. The unit price for Item 3 shall constitute full compensation for raising water gate and curb boxes to proposed grade and pitch including all materials and labor incidental to this work and not covered in other items. Boxes to be raised shall be as directed by the Engineer. Boxes judged to be inadequate by the Engineer, shall be removed and replaced with new boxes provided by the Owner and compensation shall be the same for this alternative.

Item 4. Cold Planing Bituminous Concrete. The unit price for Item 4 shall constitute full compensation for cold planing bituminous concrete in areas indicated on the paving list and disposal of bituminous concrete waste material to a proper facility.

Under Item 4, the quantity of bituminous concrete cold planed shall be measured in square yards of bituminous concrete planed and disposed. The amount paid for will be the actual square yards cold planed.

Item 5. Furnishing Drain Manhole Frames and Covers. The unit price for Item 5 shall constitute full compensation for furnishing drain manhole frames and covers, according to the plans and specifications given, or as directed and specified.

Under Item 5, the quantity of drain manhole frames and covers furnished shall be counted. The amount paid for will be the actual number of castings furnished.

Items 6 & 7. Furnishing Catch Basin Frames and Grates. The unit price for Items 6 and 7 shall constitute full compensation for furnishing catch basin frames and grates, according to the plans and specifications given, or as directed and specified.

Under Items 6 and 7, the quantity of catch basin frames and grates furnished shall be counted. The amount paid for will be the actual number of castings furnished.

Item 8. Remodel Sewer & Drain Structures. The unit price for Item 8 shall constitute full compensation for rebuilding defective sewer and drain structures as directed.

Under Item 8, the quantity of structures remodeled shall be measured per vertical foot completed. The amount paid for per vertical foot shall include removal and disposal of defective structure materials, providing, bricks, barrel blocks, concrete, gravel, resetting frame and grate, and all other labor, materials and equipment necessary for completing the structure.

Item 9. Tack Coat. The unit price for Item 9 shall constitute full compensation for furnishing and placing tack coat as specified and as directed by the Engineer.

Under Item 9, the quantity of tack coat placed shall be measured in gallons. The amount paid for will be the actual gallons applied.

Item 10. Bituminous Concrete Driveway Aprons. The unit price for Item 10 shall constitute full compensation for constructing bituminous concrete driveway aprons to include sweeping if necessary, furnishing, placing and compacting approved bituminous concrete as indicated on the plans or as directed by the Engineer.

If milling of the driveway apron is necessary prior to paving, it shall be paid for separately under Item 4.

Under Item 10, the quantity of bituminous concrete driveway aprons constructed shall be measured in tons to the nearest one tenth of a ton. The amount paid for will be the actual tons of bituminous concrete placed and compacted.

Item 11. HMA Miscellaneous Hand Work. The unit price for Item 11 shall constitute full compensation for furnishing and placing hot mix asphalt (HMA) by hand.

Under Item 11, the quantity of HMA placed by hand shall be measured in tons to the nearest one tenth of a ton. The amount paid for will be the actual tons applied by hand.

APPENDIX A
PREVAILING WAGE RATES



MAURA HEALEY
Governor

KIM DRISCOLL
Lt. Governor

THE COMMONWEALTH OF MASSACHUSETTS
EXECUTIVE OFFICE OF LABOR AND WORKFORCE DEVELOPMENT
DEPARTMENT OF LABOR STANDARDS

Prevailing Wage Rates

As determined by the Director under the provisions of the
Massachusetts General Laws, Chapter 149, Sections 26 to 27H

LAUREN JONES
Secretary

MICHAEL FLANAGAN
Director

Awarding Authority: City of Greenfield
Contract Number: DPW 24-04 **City/Town:** GREENFIELD
Description of Work: Work consists of milling app. 61,243 SY of roadway, placement of app. 6,600 tons of hot mix asphalt, and related work to include replacing worn castings and structure adjusting.
Job Location: Various locations

Information about Prevailing Wage Schedules for Awarding Authorities and Contractors

- **The wage rates will remain in effect for the duration of the project, except in the case of multi-year public construction projects. For construction projects lasting longer than one year, awarding authorities must request an updated wage schedule no later than two weeks before the anniversary of the date the contract was executed by the awarding authority and the general contractor.** For multi-year CM AT RISK projects, the awarding authority must request an annual update no later than two weeks before the anniversary date, determined as the earlier of: (a) the execution date of the GMP Amendment, or (b) the execution date of the first amendment to permit procurement of construction services. The annual update requirement is not applicable to 27F "rental of equipment" contracts. **The updated wage schedule must be provided to all contractors, including general and sub-contractors, working on the construction project.**
- This wage schedule applies only to the specific project referenced at the top of this page and uniquely identified by the "Wage Request Number" on all pages of this schedule.
- An Awarding Authority must request an updated wage schedule if it has not opened bids or selected a contractor within 90 days of the date of issuance of the wage schedule. For CM AT RISK projects (bid pursuant to G.L. c.149A), the earlier of: (a) the execution date of the GMP Amendment, or (b) the bid for the first construction scope of work must be within 90-days of the wage schedule issuance date.
- The wage schedule shall be incorporated in any advertisement or call for bids for the project as required by M.G.L. c. 149, § 27. The wage schedule shall be made a part of the contract awarded for the project. The wage schedule must be posted in a conspicuous place at the work site for the life of the project in accordance with M.G.L. c. 149 § 27. The wages listed on the wage schedule must be paid to employees performing construction work on the project whether they are employed by the prime contractor, a filed sub-bidder, or a sub-contractor.
- Apprentices working on the project are required to be registered with the Massachusetts Division of Apprentice Standards (DAS). Apprentices must keep their apprentice identification card on their persons during all work hours on the project. An apprentice registered with DAS may be paid the lower apprentice wage rate at the applicable step as provided on the prevailing wage schedule. **Any apprentice not registered with DAS regardless of whether they are registered with another federal, state, local, or private agency must be paid the journeyworker's rate.**
- Every contractor or subcontractor working on the construction project must submit weekly payroll reports and a Statement of Compliance directly to the awarding authority by mail or email and keep them on file for three years. Each weekly payroll report must contain: the employee's name, address, occupational classification, hours worked, and wages paid. Do not submit weekly payroll reports to DLS. For a sample payroll reporting form go to <http://www.mass.gov/dols/pw>.
- Contractors with questions about the wage rates or classifications included on the wage schedule have an affirmative obligation to inquire with DLS at (617) 626-6953.
- Contractors must obtain the wage schedules from awarding authorities. Failure of a contractor or subcontractor to pay the prevailing wage rates listed on the wage schedule to all employees who perform construction work on the project is a violation of the law and subjects the contractor or subcontractor to civil and criminal penalties.
- Employees not receiving the prevailing wage rate set forth on the wage schedule may file a complaint with the Fair Labor Division of the office of the Attorney General at (617) 727-3465.

Classification	Effective Date	Base Wage	Health	Pension	Supplemental Unemployment	Total Rate
Construction						
(2 AXLE) DRIVER - EQUIPMENT <i>TEAMSTERS JOINT COUNCIL NO. 10 ZONE B</i>	12/01/2021	\$35.95	\$13.41	\$16.01	\$0.00	\$65.37
(3 AXLE) DRIVER - EQUIPMENT <i>TEAMSTERS JOINT COUNCIL NO. 10 ZONE B</i>	12/01/2021	\$36.02	\$13.41	\$16.01	\$0.00	\$65.44
(4 & 5 AXLE) DRIVER - EQUIPMENT <i>TEAMSTERS JOINT COUNCIL NO. 10 ZONE B</i>	12/01/2021	\$36.14	\$13.41	\$16.01	\$0.00	\$65.56
ADS/SUBMERSIBLE PILOT <i>PILE DRIVER LOCAL 56 (ZONE 3)</i>	08/01/2020	\$103.05	\$9.40	\$23.12	\$0.00	\$135.57
For apprentice rates see "Apprentice- PILE DRIVER"						
AIR TRACK OPERATOR <i>LABORERS - ZONE 3 (BUILDING & SITE)</i>	06/01/2023	\$34.25	\$9.40	\$16.59	\$0.00	\$60.24
	12/01/2023	\$34.88	\$9.40	\$16.59	\$0.00	\$60.87
For apprentice rates see "Apprentice- LABORER"						
AIR TRACK OPERATOR (HEAVY & HIGHWAY) <i>LABORERS - ZONE 3 (HEAVY & HIGHWAY)</i>	06/01/2023	\$34.25	\$9.40	\$14.53	\$0.00	\$58.18
	12/01/2023	\$34.88	\$9.40	\$14.53	\$0.00	\$58.81
	06/01/2024	\$36.08	\$9.40	\$14.53	\$0.00	\$60.01
	12/01/2024	\$37.28	\$9.40	\$14.53	\$0.00	\$61.21
	06/01/2025	\$38.53	\$9.40	\$14.53	\$0.00	\$62.46
	12/01/2025	\$39.77	\$9.40	\$14.53	\$0.00	\$63.70
	06/01/2026	\$41.07	\$9.40	\$14.53	\$0.00	\$65.00
	12/01/2026	\$42.36	\$9.40	\$14.53	\$0.00	\$66.29
For apprentice rates see "Apprentice- LABORER (Heavy and Highway)"						
ASBESTOS WORKER (PIPES & TANKS) <i>HEAT & FROST INSULATORS LOCAL 6 (SPRINGFIELD)</i>	12/01/2020	\$34.29	\$12.80	\$8.95	\$0.00	\$56.04
ASPHALT RAKER <i>LABORERS - ZONE 3 (BUILDING & SITE)</i>	06/01/2023	\$33.75	\$9.40	\$16.59	\$0.00	\$59.74
	12/01/2023	\$34.38	\$9.00	\$16.59	\$0.00	\$59.97
For apprentice rates see "Apprentice- LABORER"						
ASPHALT RAKER (HEAVY & HIGHWAY) <i>LABORERS - ZONE 3 (HEAVY & HIGHWAY)</i>	06/01/2023	\$33.75	\$9.40	\$14.53	\$0.00	\$57.68
	12/01/2023	\$34.38	\$9.40	\$14.53	\$0.00	\$58.31
	06/01/2024	\$35.58	\$9.40	\$14.53	\$0.00	\$59.51
	12/01/2024	\$36.78	\$9.40	\$14.53	\$0.00	\$60.71
	06/01/2025	\$38.03	\$9.40	\$14.53	\$0.00	\$61.96
	12/01/2025	\$39.27	\$9.40	\$14.53	\$0.00	\$63.20
	06/01/2026	\$40.57	\$9.40	\$14.53	\$0.00	\$64.50
	12/01/2026	\$41.86	\$9.40	\$14.53	\$0.00	\$65.79
For apprentice rates see "Apprentice- LABORER (Heavy and Highway)"						
AUTOMATIC GRADER-EXCAVATOR (RECLAIMER) <i>OPERATING ENGINEERS LOCAL 98</i>	06/01/2023	\$38.86	\$13.58	\$15.10	\$0.00	\$67.54
	12/01/2023	\$39.81	\$13.58	\$15.10	\$0.00	\$68.49
For apprentice rates see "Apprentice- OPERATING ENGINEERS"						
BACKHOE/FRONT-END LOADER OPERATOR <i>OPERATING ENGINEERS LOCAL 98</i>	06/01/2023	\$38.86	\$13.58	\$15.10	\$0.00	\$67.54
	12/01/2023	\$39.81	\$13.58	\$15.10	\$0.00	\$68.49
For apprentice rates see "Apprentice- OPERATING ENGINEERS"						
BARCO-TYPE JUMPING TAMPER <i>LABORERS - ZONE 3 (BUILDING & SITE)</i>	06/01/2023	\$33.75	\$9.40	\$16.59	\$0.00	\$59.74
	12/01/2023	\$34.38	\$9.00	\$16.59	\$0.00	\$59.97
For apprentice rates see "Apprentice- LABORER"						
BATCH/CEMENT PLANT - ON SITE <i>OPERATING ENGINEERS LOCAL 98</i>	06/01/2023	\$38.33	\$13.58	\$15.10	\$0.00	\$67.01
	12/01/2023	\$39.28	\$13.58	\$15.10	\$0.00	\$67.96
For apprentice rates see "Apprentice- OPERATING ENGINEERS"						

Classification	Effective Date	Base Wage	Health	Pension	Supplemental Unemployment	Total Rate
BLOCK PAVER, RAMMER / CURB SETTER <i>LABORERS - ZONE 3 (BUILDING & SITE)</i>	06/01/2023	\$34.25	\$9.40	\$16.59	\$0.00	\$60.24
	12/01/2023	\$34.88	\$9.40	\$16.59	\$0.00	\$60.87
For apprentice rates see "Apprentice- LABORER"						
BLOCK PAVER, RAMMER / CURB SETTER (HEAVY & HIGHWAY) <i>LABORERS - ZONE 3 (HEAVY & HIGHWAY)</i>	06/01/2023	\$34.25	\$9.40	\$14.53	\$0.00	\$58.18
	12/01/2023	\$34.88	\$9.40	\$14.53	\$0.00	\$58.81
	06/01/2024	\$36.08	\$9.40	\$14.53	\$0.00	\$60.01
	12/01/2024	\$37.28	\$9.40	\$14.53	\$0.00	\$61.21
	06/01/2025	\$38.53	\$9.40	\$14.53	\$0.00	\$62.46
	12/01/2025	\$39.77	\$9.40	\$14.53	\$0.00	\$63.70
	06/01/2026	\$41.07	\$9.40	\$14.53	\$0.00	\$65.00
12/01/2026	\$42.36	\$9.40	\$14.53	\$0.00	\$66.29	
For apprentice rates see "Apprentice- LABORER (Heavy and Highway)"						
BOILER MAKER <i>BOILERMAKERS LOCAL 29</i>	01/01/2023	\$47.37	\$7.07	\$20.31	\$0.00	\$74.75
	01/01/2024	\$48.12	\$7.07	\$20.60	\$0.00	\$75.79

Apprentice - BOILERMAKER - Local 29

Effective Date - 01/01/2023

Step	percent	Apprentice Base Wage	Health	Pension	Supplemental Unemployment	Total Rate
1	65	\$30.79	\$7.07	\$13.22	\$0.00	\$51.08
2	65	\$30.79	\$7.07	\$13.22	\$0.00	\$51.08
3	70	\$33.16	\$7.07	\$14.23	\$0.00	\$54.46
4	75	\$35.53	\$7.07	\$15.24	\$0.00	\$57.84
5	80	\$37.90	\$7.07	\$16.25	\$0.00	\$61.22
6	85	\$40.26	\$7.07	\$17.28	\$0.00	\$64.61
7	90	\$42.63	\$7.07	\$18.28	\$0.00	\$67.98
8	95	\$45.00	\$7.07	\$19.32	\$0.00	\$71.39

Effective Date - 01/01/2024

Step	percent	Apprentice Base Wage	Health	Pension	Supplemental Unemployment	Total Rate
1	65	\$31.28	\$7.07	\$13.22	\$0.00	\$51.57
2	65	\$31.28	\$7.07	\$13.22	\$0.00	\$51.57
3	70	\$33.68	\$7.07	\$14.23	\$0.00	\$54.98
4	75	\$36.09	\$7.07	\$15.24	\$0.00	\$58.40
5	80	\$38.50	\$7.07	\$16.25	\$0.00	\$61.82
6	85	\$40.90	\$7.07	\$17.28	\$0.00	\$65.25
7	90	\$43.31	\$7.07	\$18.28	\$0.00	\$68.66
8	95	\$45.71	\$7.07	\$19.32	\$0.00	\$72.10

Notes:

Apprentice to Journeyworker Ratio:1:4

Classification	Effective Date	Base Wage	Health	Pension	Supplemental Unemployment	Total Rate
BRICK/STONE/ARTIFICIAL MASONRY (INCL. MASONRY WATERPROOFING) <i>BRICKLAYERS LOCAL 3 (SPRINGFIELD/PITTSFIELD)</i>	02/01/2023	\$48.76	\$11.49	\$20.37	\$0.00	\$80.62
	08/01/2023	\$50.81	\$11.49	\$20.37	\$0.00	\$82.67
	02/01/2024	\$52.06	\$11.49	\$20.37	\$0.00	\$83.92
	08/01/2024	\$53.31	\$11.49	\$20.37	\$0.00	\$85.17
	02/01/2025	\$54.61	\$11.49	\$20.37	\$0.00	\$86.47
	08/01/2025	\$56.76	\$11.49	\$20.37	\$0.00	\$88.62
	02/01/2026	\$58.11	\$11.49	\$20.37	\$0.00	\$89.97
	08/01/2026	\$60.31	\$11.49	\$20.37	\$0.00	\$92.17
	02/01/2027	\$61.71	\$11.49	\$20.37	\$0.00	\$93.57

Apprentice - BRICK/PLASTER/CEMENT MASON - Local 3 Springfield/Pittsfield

Effective Date - 02/01/2023

Step	percent	Apprentice Base Wage	Health	Pension	Supplemental Unemployment	Total Rate
1	50	\$24.38	\$11.49	\$20.37	\$0.00	\$56.24
2	60	\$29.26	\$11.49	\$20.37	\$0.00	\$61.12
3	70	\$34.13	\$11.49	\$20.37	\$0.00	\$65.99
4	80	\$39.01	\$11.49	\$20.37	\$0.00	\$70.87
5	90	\$43.88	\$11.49	\$20.37	\$0.00	\$75.74

Effective Date - 08/01/2023

Step	percent	Apprentice Base Wage	Health	Pension	Supplemental Unemployment	Total Rate
1	50	\$25.41	\$11.49	\$20.37	\$0.00	\$57.27
2	60	\$30.49	\$11.49	\$20.37	\$0.00	\$62.35
3	70	\$35.57	\$11.49	\$20.37	\$0.00	\$67.43
4	80	\$40.65	\$11.49	\$20.37	\$0.00	\$72.51
5	90	\$45.73	\$11.49	\$20.37	\$0.00	\$77.59

Notes:

Apprentice to Journeyworker Ratio:1:5

BULLDOZER/POWER SHOVEL/TREE SHREDDER <i>/CLAM SHELL OPERATING</i>	06/01/2023	\$38.86	\$13.58	\$15.10	\$0.00	\$67.54
	12/01/2023	\$39.81	\$13.58	\$15.10	\$0.00	\$68.49
<i>ENGINEERS LOCAL 98</i>						
For apprentice rates see "Apprentice- OPERATING ENGINEERS"						
CAISSON & UNDERPINNING BOTTOM MAN <i>LABORERS - FOUNDATION AND MARINE</i>	06/01/2023	\$44.73	\$9.40	\$17.97	\$0.00	\$72.10
	12/01/2023	\$45.98	\$9.40	\$17.97	\$0.00	\$73.35
	06/01/2024	\$47.46	\$9.40	\$17.97	\$0.00	\$74.83
	12/01/2024	\$48.93	\$9.40	\$17.97	\$0.00	\$76.30
	06/01/2025	\$50.43	\$9.40	\$17.97	\$0.00	\$77.80
	12/01/2025	\$51.93	\$9.40	\$17.97	\$0.00	\$79.30
	06/01/2026	\$53.48	\$9.40	\$17.97	\$0.00	\$80.85
	12/01/2026	\$54.98	\$9.40	\$17.97	\$0.00	\$82.35

For apprentice rates see "Apprentice- LABORER"

Classification	Effective Date	Base Wage	Health	Pension	Supplemental Unemployment	Total Rate
CAISSON & UNDERPINNING LABORER <i>LABORERS - FOUNDATION AND MARINE</i>	06/01/2023	\$43.58	\$9.40	\$17.97	\$0.00	\$70.95
	12/01/2023	\$44.83	\$9.40	\$17.97	\$0.00	\$72.20
	06/01/2024	\$46.31	\$9.40	\$17.97	\$0.00	\$73.68
	12/01/2024	\$47.78	\$9.40	\$17.97	\$0.00	\$75.15
	06/01/2025	\$49.28	\$9.40	\$17.97	\$0.00	\$76.65
	12/01/2025	\$50.78	\$9.40	\$17.97	\$0.00	\$78.15
	06/01/2026	\$52.33	\$9.40	\$17.97	\$0.00	\$79.70
	12/01/2026	\$53.83	\$9.40	\$17.97	\$0.00	\$81.20
For apprentice rates see "Apprentice- LABORER"						
CAISSON & UNDERPINNING TOP MAN <i>LABORERS - FOUNDATION AND MARINE</i>	06/01/2023	\$43.58	\$9.40	\$17.97	\$0.00	\$70.95
	12/01/2023	\$44.83	\$9.40	\$17.97	\$0.00	\$72.20
	06/01/2024	\$46.31	\$9.40	\$17.97	\$0.00	\$73.68
	12/01/2024	\$47.78	\$9.40	\$17.97	\$0.00	\$75.15
	06/01/2025	\$49.28	\$9.40	\$17.97	\$0.00	\$76.65
	12/01/2025	\$50.78	\$9.40	\$17.97	\$0.00	\$78.15
	06/01/2026	\$52.33	\$9.40	\$17.97	\$0.00	\$79.70
	12/01/2026	\$53.83	\$9.40	\$17.97	\$0.00	\$81.20
For apprentice rates see "Apprentice- LABORER"						
CARBIDE CORE DRILL OPERATOR <i>LABORERS - ZONE 3 (BUILDING & SITE)</i>	06/01/2023	\$33.75	\$9.40	\$16.59	\$0.00	\$59.74
	12/01/2023	\$34.38	\$9.00	\$16.59	\$0.00	\$59.97
For apprentice rates see "Apprentice- LABORER"						
CARPENTER <i>CARPENTERS LOCAL 336 - HAMPDEN HAMPSHIRE FRANKLIN</i>	03/01/2023	\$39.76	\$7.71	\$18.15	\$0.00	\$65.62

Apprentice - CARPENTER - Local 336 Hampden Hampshire Franklin

Effective Date - 03/01/2023

Step	percent	Apprentice Base Wage	Health	Pension	Supplemental Unemployment	Total Rate
1	50	\$19.88	\$7.71	\$1.38	\$0.00	\$28.97
2	60	\$23.86	\$7.71	\$1.38	\$0.00	\$32.95
3	70	\$27.83	\$7.71	\$13.95	\$0.00	\$49.49
4	75	\$29.82	\$7.71	\$13.95	\$0.00	\$51.48
5	80	\$31.81	\$7.71	\$15.35	\$0.00	\$54.87
6	80	\$31.81	\$7.71	\$15.35	\$0.00	\$54.87
7	90	\$35.78	\$7.71	\$16.75	\$0.00	\$60.24
8	90	\$35.78	\$7.71	\$16.75	\$0.00	\$60.24

Notes:

% Indentured After 10/1/17; 45/45/55/55/70/70/80/80
Step 1&2 \$26.46/ 3&4 \$31.82/ 5&6 \$50.38/ 7&8 \$55.77

Apprentice to Journeyworker Ratio:1:5

CARPENTER WOOD FRAME <i>CARPENTERS-ZONE 3 (Wood Frame)</i>	04/01/2023	\$24.16	\$7.21	\$4.80	\$0.00	\$36.17
---	------------	---------	--------	--------	--------	---------

All Aspects of New Wood Frame Work

Classification

Effective Date Base Wage Health Pension Supplemental Unemployment Total Rate

Apprentice - CARPENTER (Wood Frame) - Zone 3

Effective Date - 04/01/2023

Step	percent	Apprentice Base Wage	Health	Pension	Supplemental Unemployment	Total Rate
1	60	\$14.50	\$7.21	\$0.00	\$0.00	\$21.71
2	60	\$14.50	\$7.21	\$0.00	\$0.00	\$21.71
3	65	\$15.70	\$7.21	\$0.00	\$0.00	\$22.91
4	70	\$16.91	\$7.21	\$0.00	\$0.00	\$24.12
5	75	\$18.12	\$7.21	\$3.80	\$0.00	\$29.13
6	80	\$19.33	\$7.21	\$3.80	\$0.00	\$30.34
7	85	\$20.54	\$7.21	\$3.80	\$0.00	\$31.55
8	90	\$21.74	\$7.21	\$3.80	\$0.00	\$32.75

Notes:

% Indentured After 10/1/17; 45/45/55/55/70/70/80/80
Step 1&2 \$17.86/ 3&4 \$20.22/ 5&6 \$27.57/ 7&8 \$29.94

Apprentice to Journeyworker Ratio:1:5

CEMENT MASONRY/PLASTERING	07/01/2023	\$45.82	\$12.70	\$17.97	\$0.87	\$77.36
BRICKLAYERS LOCAL 3 (SPRINGFIELD/PITTSFIELD)	01/01/2024	\$46.83	\$12.70	\$17.97	\$0.87	\$78.37

Apprentice - CEMENT MASONRY/PLASTERING - Springfield/Pittsfield

Effective Date - 07/01/2023

Step	percent	Apprentice Base Wage	Health	Pension	Supplemental Unemployment	Total Rate
1	50	\$22.91	\$12.70	\$15.49	\$0.00	\$51.10
2	60	\$27.49	\$12.70	\$17.97	\$0.87	\$59.03
3	65	\$29.78	\$12.70	\$17.97	\$0.87	\$61.32
4	70	\$32.07	\$12.70	\$17.97	\$0.87	\$63.61
5	75	\$34.37	\$12.70	\$17.97	\$0.87	\$65.91
6	80	\$36.66	\$12.70	\$17.97	\$0.87	\$68.20
7	90	\$41.24	\$12.70	\$17.97	\$0.87	\$72.78

Effective Date - 01/01/2024

Step	percent	Apprentice Base Wage	Health	Pension	Supplemental Unemployment	Total Rate
1	50	\$23.42	\$12.70	\$15.49	\$0.00	\$51.61
2	60	\$28.10	\$12.70	\$17.97	\$0.87	\$59.64
3	65	\$30.44	\$12.70	\$17.97	\$0.87	\$61.98
4	70	\$32.78	\$12.70	\$17.97	\$0.87	\$64.32
5	75	\$35.12	\$12.70	\$17.97	\$0.87	\$66.66
6	80	\$37.46	\$12.70	\$17.97	\$0.87	\$69.00
7	90	\$42.15	\$12.70	\$17.97	\$0.87	\$73.69

Notes:

Steps 3,4 are 500 hrs. All other steps are 1,000 hrs.

Apprentice to Journeyworker Ratio:1:3

Classification	Effective Date	Base Wage	Health	Pension	Supplemental Unemployment	Total Rate
CHAIN SAW OPERATOR <i>LABORERS - ZONE 3 (BUILDING & SITE)</i>	06/01/2023	\$33.75	\$9.40	\$16.59	\$0.00	\$59.74
	12/01/2023	\$34.38	\$9.00	\$16.59	\$0.00	\$59.97
For apprentice rates see "Apprentice- LABORER"						
COMPRESSOR OPERATOR <i>OPERATING ENGINEERS LOCAL 98</i>	06/01/2023	\$38.33	\$13.58	\$15.10	\$0.00	\$67.01
	12/01/2023	\$39.28	\$13.58	\$15.10	\$0.00	\$67.96
For apprentice rates see "Apprentice- OPERATING ENGINEERS"						
CRANE OPERATOR <i>OPERATING ENGINEERS LOCAL 98</i>	06/01/2023	\$42.36	\$13.58	\$15.10	\$0.00	\$71.04
	12/01/2023	\$43.31	\$13.58	\$15.10	\$0.00	\$71.99
For apprentice rates see "Apprentice- OPERATING ENGINEERS"						
DELEADER (BRIDGE) <i>PAINTERS LOCAL 35 - ZONE 3</i>	07/01/2023	\$55.51	\$9.65	\$23.70	\$0.00	\$88.86
	01/01/2024	\$56.06	\$9.95	\$23.95	\$0.00	\$89.96
	07/01/2024	\$57.26	\$9.95	\$23.95	\$0.00	\$91.16
	01/01/2025	\$58.46	\$9.95	\$23.95	\$0.00	\$92.36

Apprentice - PAINTER Local 35 - BRIDGES/TANKS

Effective Date - 07/01/2023

Step	percent	Apprentice Base Wage	Health	Pension	Supplemental Unemployment	Total Rate
1	50	\$27.76	\$9.65	\$0.00	\$0.00	\$37.41
2	55	\$30.53	\$9.65	\$6.55	\$0.00	\$46.73
3	60	\$33.31	\$9.65	\$7.14	\$0.00	\$50.10
4	65	\$36.08	\$9.65	\$7.74	\$0.00	\$53.47
5	70	\$38.86	\$9.65	\$20.13	\$0.00	\$68.64
6	75	\$41.63	\$9.65	\$20.73	\$0.00	\$72.01
7	80	\$44.41	\$9.65	\$21.32	\$0.00	\$75.38
8	90	\$49.96	\$9.65	\$22.51	\$0.00	\$82.12

Effective Date - 01/01/2024

Step	percent	Apprentice Base Wage	Health	Pension	Supplemental Unemployment	Total Rate
1	50	\$28.03	\$9.95	\$0.00	\$0.00	\$37.98
2	55	\$30.83	\$9.95	\$6.66	\$0.00	\$47.44
3	60	\$33.64	\$9.95	\$7.26	\$0.00	\$50.85
4	65	\$36.44	\$9.95	\$7.87	\$0.00	\$54.26
5	70	\$39.24	\$9.95	\$20.32	\$0.00	\$69.51
6	75	\$42.05	\$9.95	\$20.93	\$0.00	\$72.93
7	80	\$44.85	\$9.95	\$21.53	\$0.00	\$76.33
8	90	\$50.45	\$9.95	\$22.74	\$0.00	\$83.14

Notes:
Steps are 750 hrs.

Apprentice to Journeyworker Ratio:1:1

DEMO: ADZEMAN <i>LABORERS - ZONE 3 (BUILDING & SITE)</i>	06/01/2023	\$43.73	\$9.40	\$17.82	\$0.00	\$70.95
	12/01/2023	\$44.98	\$9.40	\$17.82	\$0.00	\$72.20
For apprentice rates see "Apprentice- LABORER"						
DEMO: BACKHOE/LOADER/HAMMER OPERATOR <i>LABORERS - ZONE 3 (BUILDING & SITE)</i>	06/01/2023	\$44.73	\$9.40	\$17.82	\$0.00	\$71.95
	12/01/2023	\$45.98	\$9.40	\$17.82	\$0.00	\$73.20

Classification	Effective Date	Base Wage	Health	Pension	Supplemental Unemployment	Total Rate
For apprentice rates see "Apprentice- LABORER"						
DEMO: BURNERS <i>LABORERS - ZONE 3 (BUILDING & SITE)</i>	06/01/2023	\$44.48	\$9.40	\$17.82	\$0.00	\$71.70
	12/01/2023	\$45.73	\$9.40	\$17.82	\$0.00	\$72.95
For apprentice rates see "Apprentice- LABORER"						
DEMO: CONCRETE CUTTER/SAWYER <i>LABORERS - ZONE 3 (BUILDING & SITE)</i>	06/01/2023	\$44.73	\$9.40	\$17.82	\$0.00	\$71.95
	12/01/2023	\$45.98	\$9.40	\$17.82	\$0.00	\$73.20
For apprentice rates see "Apprentice- LABORER"						
DEMO: JACKHAMMER OPERATOR <i>LABORERS - ZONE 3 (BUILDING & SITE)</i>	06/01/2023	\$44.48	\$9.40	\$17.82	\$0.00	\$71.70
	12/01/2023	\$45.73	\$9.40	\$17.82	\$0.00	\$72.95
For apprentice rates see "Apprentice- LABORER"						
DEMO: WRECKING LABORER <i>LABORERS - ZONE 3 (BUILDING & SITE)</i>	06/01/2023	\$43.73	\$9.40	\$17.82	\$0.00	\$70.95
	12/01/2023	\$44.98	\$9.40	\$17.82	\$0.00	\$72.20
For apprentice rates see "Apprentice- LABORER"						
DIVER <i>PILE DRIVER LOCAL 56 (ZONE 3)</i>	08/01/2020	\$68.70	\$9.40	\$23.12	\$0.00	\$101.22
For apprentice rates see "Apprentice- PILE DRIVER"						
DIVER TENDER <i>PILE DRIVER LOCAL 56 (ZONE 3)</i>	08/01/2020	\$49.07	\$9.40	\$23.12	\$0.00	\$81.59
For apprentice rates see "Apprentice- PILE DRIVER"						
DIVER TENDER (EFFLUENT) <i>PILE DRIVER LOCAL 56 (ZONE 3)</i>	08/01/2020	\$73.60	\$9.40	\$23.12	\$0.00	\$106.12
For apprentice rates see "Apprentice- PILE DRIVER"						
DIVER/SLURRY (EFFLUENT) <i>PILE DRIVER LOCAL 56 (ZONE 3)</i>	08/01/2020	\$103.05	\$9.40	\$23.12	\$0.00	\$135.57
For apprentice rates see "Apprentice- PILE DRIVER"						
DRAWBRIDGE OPERATOR (Construction) <i>DRAWBRIDGE - SEIU LOCAL 888</i>	07/01/2020	\$26.77	\$6.67	\$3.93	\$0.16	\$37.53
ELECTRICIAN (Including Core Drilling) <i>ELECTRICIANS LOCAL 7</i>	07/02/2023	\$48.01	\$11.50	\$14.41	\$0.00	\$73.92
	12/31/2023	\$49.01	\$11.75	\$14.61	\$0.00	\$75.37
	06/30/2024	\$50.01	\$12.00	\$14.86	\$0.00	\$76.87
	12/29/2024	\$51.06	\$12.25	\$15.06	\$0.00	\$78.37
	06/29/2025	\$52.16	\$12.50	\$15.21	\$0.00	\$79.87
	12/28/2025	\$53.26	\$12.75	\$15.36	\$0.00	\$81.37
	06/28/2026	\$54.41	\$13.00	\$15.46	\$0.00	\$82.87
	01/03/2027	\$55.56	\$13.25	\$15.56	\$0.00	\$84.37

Classification

Effective Date Base Wage Health Pension Supplemental Unemployment Total Rate

Apprentice - ELECTRICIAN - Local 7

Effective Date - 07/02/2023

Step	percent	Apprentice Base Wage	Health	Pension	Supplemental Unemployment	Total Rate
1	40	\$19.20	\$6.90	\$1.44	\$0.00	\$27.54
2	45	\$21.60	\$6.90	\$1.44	\$0.00	\$29.94
3	50	\$24.01	\$11.50	\$7.99	\$0.00	\$43.50
4	55	\$26.41	\$11.50	\$7.99	\$0.00	\$45.90
5	65	\$31.21	\$11.50	\$9.92	\$0.00	\$52.63
6	70	\$33.61	\$11.50	\$11.20	\$0.00	\$56.31

Effective Date - 12/31/2023

Step	percent	Apprentice Base Wage	Health	Pension	Supplemental Unemployment	Total Rate
1	40	\$19.60	\$7.05	\$1.47	\$0.00	\$28.12
2	45	\$22.05	\$7.05	\$1.47	\$0.00	\$30.57
3	50	\$24.51	\$11.75	\$8.07	\$0.00	\$44.33
4	55	\$26.96	\$11.75	\$8.07	\$0.00	\$46.78
5	65	\$31.86	\$11.75	\$10.03	\$0.00	\$53.64
6	70	\$34.31	\$11.75	\$11.34	\$0.00	\$57.40

Notes:

Steps 1-2 are 1000 hrs; Steps 3-6 are 1500 hrs.

Apprentice to Journeyworker Ratio:2:3****

ELEVATOR CONSTRUCTOR	01/01/2023	\$61.13	\$16.08	\$20.56	\$0.00	\$97.77
ELEVATOR CONSTRUCTORS LOCAL 41	01/01/2024	\$61.98	\$16.18	\$20.96	\$0.00	\$99.12
	01/01/2025	\$62.83	\$16.28	\$21.36	\$0.00	\$100.47
	01/01/2026	\$63.68	\$16.38	\$21.76	\$0.00	\$101.82
	01/01/2027	\$64.53	\$16.48	\$22.16	\$0.00	\$103.17

Classification

Effective Date Base Wage Health Pension Supplemental Unemployment Total Rate

Apprentice - ELEVATOR CONSTRUCTOR - Local 41

Effective Date - 01/01/2023

Step	percent	Apprentice Base Wage	Health	Pension	Supplemental Unemployment	Total Rate
1	50	\$30.57	\$16.08	\$0.00	\$0.00	\$46.65
2	55	\$33.62	\$16.08	\$20.56	\$0.00	\$70.26
3	65	\$39.73	\$16.08	\$20.56	\$0.00	\$76.37
4	70	\$42.79	\$16.08	\$20.56	\$0.00	\$79.43
5	80	\$48.90	\$16.08	\$20.56	\$0.00	\$85.54

Effective Date - 01/01/2024

Step	percent	Apprentice Base Wage	Health	Pension	Supplemental Unemployment	Total Rate
1	50	\$30.99	\$16.18	\$0.00	\$0.00	\$47.17
2	55	\$34.09	\$16.18	\$20.96	\$0.00	\$71.23
3	65	\$40.29	\$16.18	\$20.96	\$0.00	\$77.43
4	70	\$43.39	\$16.18	\$20.96	\$0.00	\$80.53
5	80	\$49.58	\$16.18	\$20.96	\$0.00	\$86.72

Notes:

Steps 1-2 are 6 mos.; Steps 3-5 are 1 year

Apprentice to Journeyworker Ratio:1:1

ELEVATOR CONSTRUCTOR HELPER <i>ELEVATOR CONSTRUCTORS LOCAL 41</i>	01/01/2023	\$42.79	\$16.08	\$20.56	\$0.00	\$79.43
	01/01/2024	\$43.39	\$16.18	\$20.96	\$0.00	\$80.53
	01/01/2025	\$43.98	\$16.28	\$21.36	\$0.00	\$81.62
	01/01/2026	\$44.58	\$16.38	\$21.76	\$0.00	\$82.72
	01/01/2027	\$45.17	\$16.48	\$22.16	\$0.00	\$83.81

For apprentice rates see "Apprentice - ELEVATOR CONSTRUCTOR"

FENCE & GUARD RAIL ERECTOR (HEAVY & HIGHWAY) <i>LABORERS - ZONE 3 (HEAVY & HIGHWAY)</i>	06/01/2023	\$33.75	\$9.40	\$14.53	\$0.00	\$57.68
	12/01/2023	\$34.38	\$9.40	\$14.53	\$0.00	\$58.31
	06/01/2024	\$35.58	\$9.40	\$14.53	\$0.00	\$59.51
	12/01/2024	\$36.78	\$9.40	\$14.53	\$0.00	\$60.71
	06/01/2025	\$38.03	\$9.40	\$14.53	\$0.00	\$61.96
	12/01/2025	\$39.27	\$9.40	\$14.53	\$0.00	\$63.20
	06/01/2026	\$40.57	\$9.40	\$14.53	\$0.00	\$64.50
	12/01/2026	\$41.86	\$9.40	\$14.53	\$0.00	\$65.79

For apprentice rates see "Apprentice- LABORER (Heavy and Highway)"

FIELD ENG.INST/ROD-BLDG,SITE,HVY/HWY <i>OPERATING ENGINEERS LOCAL 98</i>	06/01/1999	\$18.84	\$4.80	\$4.10	\$0.00	\$27.74
FIELD ENG.PARTY CHIEF:BLDG,SITE,HVY/HWY <i>OPERATING ENGINEERS LOCAL 98</i>	06/01/1999	\$21.33	\$4.80	\$4.10	\$0.00	\$30.23
FIELD ENG.SURVEY CHIEF-BLDG,SITE,HVY/HWY <i>OPERATING ENGINEERS LOCAL 98</i>	06/01/1999	\$22.33	\$4.80	\$4.10	\$0.00	\$31.23

Classification	Effective Date	Base Wage	Health	Pension	Supplemental Unemployment	Total Rate
FIRE ALARM INSTALLER <i>ELECTRICIANS LOCAL 7</i>	07/02/2023	\$48.01	\$11.50	\$14.41	\$0.00	\$73.92
	12/31/2023	\$49.01	\$11.75	\$14.61	\$0.00	\$75.37
	06/30/2024	\$50.01	\$12.00	\$14.86	\$0.00	\$76.87
	12/29/2024	\$51.06	\$12.25	\$15.06	\$0.00	\$78.37
	06/29/2025	\$52.16	\$12.50	\$15.21	\$0.00	\$79.87
	12/28/2025	\$53.26	\$12.75	\$15.36	\$0.00	\$81.37
	06/28/2026	\$54.41	\$13.00	\$15.46	\$0.00	\$82.87
	01/03/2027	\$55.56	\$13.25	\$15.56	\$0.00	\$84.37
For apprentice rates see "Apprentice- ELECTRICIAN"						
FIRE ALARM REPAIR / MAINTENANCE <i>LOCAL 7</i> / COMMISSIONING <i>ELECTRICIANS</i>	07/02/2023	\$48.01	\$11.50	\$14.41	\$0.00	\$73.92
	12/31/2023	\$49.01	\$11.75	\$14.61	\$0.00	\$75.37
	06/30/2024	\$50.01	\$12.00	\$14.86	\$0.00	\$76.87
	12/29/2024	\$51.06	\$12.25	\$15.06	\$0.00	\$78.37
	06/29/2025	\$52.16	\$12.50	\$15.21	\$0.00	\$79.87
	12/28/2025	\$53.26	\$12.75	\$15.36	\$0.00	\$81.37
	06/28/2026	\$54.41	\$13.00	\$15.46	\$0.00	\$82.87
	01/03/2027	\$55.56	\$13.25	\$15.56	\$0.00	\$84.37
For apprentice rates see "Apprentice- TELECOMMUNICATIONS TECHNICIAN"						
FIREMAN <i>OPERATING ENGINEERS LOCAL 98</i>	06/01/2023	\$38.33	\$13.58	\$15.10	\$0.00	\$67.01
	12/01/2023	\$39.28	\$13.58	\$15.10	\$0.00	\$67.96

Apprentice - OPERATING ENGINEERS - Local 98 Class 3

Effective Date - 06/01/2023

Step	percent	Apprentice Base Wage	Health	Pension	Supplemental Unemployment	Total Rate
1	60	\$23.00	\$13.58	\$15.10	\$0.00	\$51.68
2	70	\$26.83	\$13.58	\$15.10	\$0.00	\$55.51
3	80	\$30.66	\$13.58	\$15.10	\$0.00	\$59.34
4	90	\$34.50	\$13.58	\$15.10	\$0.00	\$63.18

Effective Date - 12/01/2023

Step	percent	Apprentice Base Wage	Health	Pension	Supplemental Unemployment	Total Rate
1	60	\$23.57	\$13.58	\$15.10	\$0.00	\$52.25
2	70	\$27.50	\$13.58	\$15.10	\$0.00	\$56.18
3	80	\$31.42	\$13.58	\$15.10	\$0.00	\$60.10
4	90	\$35.35	\$13.58	\$15.10	\$0.00	\$64.03

Notes:

Steps 1-2 are 1000 hrs.; Steps 3-4 are 2000 hrs.

Apprentice to Journeyworker Ratio:1:6

Classification	Effective Date	Base Wage	Health	Pension	Supplemental Unemployment	Total Rate
FLAGGER & SIGNALER (HEAVY & HIGHWAY) <i>LABORERS - ZONE 3 (HEAVY & HIGHWAY)</i>	06/01/2023	\$25.98	\$9.40	\$14.41	\$0.00	\$49.79
	12/01/2023	\$25.98	\$9.40	\$14.41	\$0.00	\$49.79
	06/01/2024	\$27.01	\$9.40	\$14.41	\$0.00	\$50.82
	12/01/2024	\$27.01	\$9.40	\$14.41	\$0.00	\$50.82
	06/01/2025	\$28.09	\$9.40	\$14.41	\$0.00	\$51.90
	12/01/2025	\$28.09	\$9.40	\$14.41	\$0.00	\$51.90
	06/01/2026	\$29.21	\$9.40	\$14.41	\$0.00	\$53.02
	12/01/2026	\$29.21	\$9.40	\$14.41	\$0.00	\$53.02
For apprentice rates see "Apprentice- LABORER (Heavy and Highway)						
FLOORCOVERER <i>FLOORCOVERERS LOCAL 2168 ZONE III</i>	03/01/2022	\$39.66	\$7.71	\$18.15	\$0.00	\$65.52

Apprentice - FLOORCOVERER - Local 2168 Zone III
Effective Date - 03/01/2022

Step	percent	Apprentice Base Wage	Health	Pension	Supplemental Unemployment	Total Rate
1	50	\$19.83	\$7.71	\$1.40	\$0.00	\$28.94
2	55	\$21.81	\$7.71	\$1.40	\$0.00	\$30.92
3	60	\$23.80	\$7.71	\$13.95	\$0.00	\$45.46
4	65	\$25.78	\$7.71	\$13.95	\$0.00	\$47.44
5	70	\$27.76	\$7.71	\$15.35	\$0.00	\$50.82
6	75	\$29.75	\$7.71	\$15.35	\$0.00	\$52.81
7	80	\$31.73	\$7.71	\$16.75	\$0.00	\$56.19
8	85	\$33.71	\$7.71	\$16.75	\$0.00	\$58.17

Notes: Steps are 750 hrs.
 % After 10/1/17; 45/45/55/55/70/70/80/80 (1500hr Steps)
 Step 1&2 \$26.21/ 3&4 \$31.49/ 5&6 \$49.96/ 7&8 \$55.29

Apprentice to Journeyworker Ratio:1:1

FORK LIFT <i>OPERATING ENGINEERS LOCAL 98</i>	06/01/2023	\$38.55	\$13.58	\$15.10	\$0.00	\$67.23
	12/01/2023	\$39.50	\$13.58	\$15.10	\$0.00	\$68.18
For apprentice rates see "Apprentice- OPERATING ENGINEERS"						
GENERATORS/LIGHTING PLANTS <i>OPERATING ENGINEERS LOCAL 98</i>	06/01/2023	\$35.10	\$13.58	\$15.10	\$0.00	\$63.78
	12/01/2023	\$36.05	\$13.58	\$15.10	\$0.00	\$64.73
For apprentice rates see "Apprentice- OPERATING ENGINEERS"						
GLAZIER (GLASS PLANK/AIR BARRIER/INTERIOR SYSTEMS) <i>GLAZIERS LOCAL 1333</i>	06/01/2020	\$39.18	\$10.80	\$10.45	\$0.00	\$60.43

Classification

Effective Date Base Wage Health Pension Supplemental Unemployment Total Rate

Apprentice - GLAZIER - Local 1333

Effective Date - 06/01/2020

Step	percent	Apprentice Base Wage	Health	Pension	Supplemental Unemployment	Total Rate
1	50	\$19.59	\$10.80	\$1.80	\$0.00	\$32.19
2	56	\$22.04	\$10.80	\$1.80	\$0.00	\$34.64
3	63	\$24.49	\$10.80	\$2.45	\$0.00	\$37.74
4	69	\$26.94	\$10.80	\$2.45	\$0.00	\$40.19
5	75	\$29.39	\$10.80	\$3.15	\$0.00	\$43.34
6	81	\$31.83	\$10.80	\$3.15	\$0.00	\$45.78
7	88	\$34.28	\$10.80	\$10.45	\$0.00	\$55.53
8	94	\$36.73	\$10.80	\$10.45	\$0.00	\$57.98

Notes:

Apprentice to Journeyworker Ratio:1:3

GRADER/TRENCHING MACHINE/DERRICK <i>OPERATING ENGINEERS LOCAL 98</i>	06/01/2023	\$38.86	\$13.58	\$15.10	\$0.00	\$67.54
	12/01/2023	\$39.81	\$13.58	\$15.10	\$0.00	\$68.49
For apprentice rates see "Apprentice- OPERATING ENGINEERS"						
HVAC (DUCTWORK) <i>SHEETMETAL WORKERS LOCAL 63</i>	07/01/2023	\$42.55	\$10.64	\$17.54	\$2.05	\$72.78
	01/01/2024	\$43.80	\$10.64	\$17.54	\$2.05	\$74.03
	07/01/2024	\$45.05	\$10.64	\$17.54	\$2.05	\$75.28
	01/01/2025	\$46.30	\$10.64	\$17.54	\$2.05	\$76.53
For apprentice rates see "Apprentice- SHEET METAL WORKER"						
HVAC (ELECTRICAL CONTROLS) <i>ELECTRICIANS LOCAL 7</i>	07/02/2023	\$48.01	\$11.50	\$14.41	\$0.00	\$73.92
	12/31/2023	\$49.01	\$11.75	\$14.61	\$0.00	\$75.37
	06/30/2024	\$50.01	\$12.00	\$14.86	\$0.00	\$76.87
	12/29/2024	\$51.06	\$12.25	\$15.06	\$0.00	\$78.37
	06/29/2025	\$52.16	\$12.50	\$15.21	\$0.00	\$79.87
	12/28/2025	\$53.26	\$12.75	\$15.36	\$0.00	\$81.37
	06/28/2026	\$54.41	\$13.00	\$15.46	\$0.00	\$82.87
	01/03/2027	\$55.56	\$13.25	\$15.56	\$0.00	\$84.37
For apprentice rates see "Apprentice- ELECTRICIAN"						
HVAC (TESTING AND BALANCING - AIR) <i>SHEETMETAL WORKERS LOCAL 63</i>	07/01/2023	\$42.55	\$10.64	\$17.54	\$2.05	\$72.78
	01/01/2024	\$43.80	\$10.64	\$17.54	\$2.05	\$74.03
	07/01/2024	\$45.05	\$10.64	\$17.54	\$2.05	\$75.28
	01/01/2025	\$46.30	\$10.64	\$17.54	\$2.05	\$76.53
For apprentice rates see "Apprentice- SHEET METAL WORKER"						
HVAC (TESTING AND BALANCING - WATER) <i>PLUMBERS & PIPEFITTERS LOCAL 104</i>	03/17/2023	\$46.96	\$9.55	\$17.10	\$0.00	\$73.61
	09/17/2023	\$47.96	\$9.55	\$17.10	\$0.00	\$74.61
	03/17/2024	\$49.21	\$9.55	\$17.10	\$0.00	\$75.86
For apprentice rates see "Apprentice- PIPEFITTER" or "PLUMBER/PIPEFITTER"						
HVAC MECHANIC <i>PLUMBERS & PIPEFITTERS LOCAL 104</i>	03/17/2023	\$46.96	\$9.55	\$17.10	\$0.00	\$73.61
	09/17/2023	\$47.96	\$9.55	\$17.10	\$0.00	\$74.61
	03/17/2024	\$49.21	\$9.55	\$17.10	\$0.00	\$75.86
For apprentice rates see "Apprentice- PIPEFITTER" or "PLUMBER/PIPEFITTER"						

Classification	Effective Date	Base Wage	Health	Pension	Supplemental Unemployment	Total Rate
HYDRAULIC DRILLS (HEAVY & HIGHWAY) <i>LABORERS - ZONE 3 (HEAVY & HIGHWAY)</i>	06/01/2023	\$34.25	\$9.40	\$14.53	\$0.00	\$58.18
	12/01/2023	\$34.88	\$9.40	\$14.53	\$0.00	\$58.81
	06/01/2024	\$36.08	\$9.40	\$14.53	\$0.00	\$60.01
	12/01/2024	\$37.28	\$9.40	\$14.53	\$0.00	\$61.21
	06/01/2025	\$38.53	\$9.40	\$14.53	\$0.00	\$62.46
	12/01/2025	\$39.77	\$9.40	\$14.53	\$0.00	\$63.70
	06/01/2026	\$41.07	\$9.40	\$14.53	\$0.00	\$65.00
	12/01/2026	\$42.36	\$9.40	\$14.53	\$0.00	\$66.29

For apprentice rates see "Apprentice- LABORER (Heavy and Highway)

INSULATOR (PIPES & TANKS) <i>HEAT & FROST INSULATORS LOCAL 6 (SPRINGFIELD)</i>	09/01/2022	\$44.05	\$13.80	\$17.14	\$0.00	\$74.99
---	------------	---------	---------	---------	--------	---------

Apprentice - ASBESTOS INSULATOR (Pipes & Tanks) - Local 6 Springfield

Effective Date - 09/01/2022

Step	percent	Apprentice Base Wage	Health	Pension	Supplemental Unemployment	Total Rate
1	50	\$22.03	\$13.80	\$12.42	\$0.00	\$48.25
2	60	\$26.43	\$13.80	\$13.36	\$0.00	\$53.59
3	70	\$30.84	\$13.80	\$14.31	\$0.00	\$58.95
4	80	\$35.24	\$13.80	\$15.25	\$0.00	\$64.29

Notes:

Steps are 1 year

Apprentice to Journeyworker Ratio:1:4

IRONWORKER/WELDER <i>IRONWORKERS LOCAL 7 (SPRINGFIELD AREA)</i>	03/16/2023	\$38.91	\$8.25	\$22.70	\$0.00	\$69.86
	09/16/2023	\$39.81	\$8.25	\$22.70	\$0.00	\$70.76
	03/16/2024	\$40.66	\$8.25	\$22.70	\$0.00	\$71.61

Classification

Effective Date Base Wage Health Pension Supplemental Unemployment Total Rate

Apprentice - IRONWORKER - Local 7 Springfield

Effective Date - 03/16/2023

Step	percent	Apprentice Base Wage	Health	Pension	Supplemental Unemployment	Total Rate
1	60	\$23.35	\$8.25	\$22.70	\$0.00	\$54.30
2	70	\$27.24	\$8.25	\$22.70	\$0.00	\$58.19
3	75	\$29.18	\$8.25	\$22.70	\$0.00	\$60.13
4	80	\$31.13	\$8.25	\$22.70	\$0.00	\$62.08
5	85	\$33.07	\$8.25	\$22.70	\$0.00	\$64.02
6	90	\$35.02	\$8.25	\$22.70	\$0.00	\$65.97

Effective Date - 09/16/2023

Step	percent	Apprentice Base Wage	Health	Pension	Supplemental Unemployment	Total Rate
1	60	\$23.89	\$8.25	\$22.70	\$0.00	\$54.84
2	70	\$27.87	\$8.25	\$22.70	\$0.00	\$58.82
3	75	\$29.86	\$8.25	\$22.70	\$0.00	\$60.81
4	80	\$31.85	\$8.25	\$22.70	\$0.00	\$62.80
5	85	\$33.84	\$8.25	\$22.70	\$0.00	\$64.79
6	90	\$35.83	\$8.25	\$22.70	\$0.00	\$66.78

Notes:

Apprentice to Journeyworker Ratio:1:4

JACKHAMMER & PAVING BREAKER OPERATOR LABORERS - ZONE 3 (BUILDING & SITE)	06/01/2023	\$33.75	\$9.40	\$16.59	\$0.00	\$59.74
	12/01/2023	\$34.38	\$9.00	\$16.59	\$0.00	\$59.97
For apprentice rates see "Apprentice- LABORER"						
LABORER LABORERS - ZONE 3 (BUILDING & SITE)	06/01/2023	\$33.50	\$9.40	\$16.59	\$0.00	\$59.49
	12/01/2023	\$34.13	\$9.40	\$16.59	\$0.00	\$60.12

Classification

Effective Date Base Wage Health Pension Supplemental Unemployment Total Rate

Apprentice - LABORER - Zone 3 Building & Site

Effective Date - 06/01/2023

Step	percent	Apprentice Base Wage	Health	Pension	Supplemental Unemployment	Total Rate
1	60	\$20.10	\$9.40	\$16.59	\$0.00	\$46.09
2	70	\$23.45	\$9.40	\$16.59	\$0.00	\$49.44
3	80	\$26.80	\$9.40	\$16.59	\$0.00	\$52.79
4	90	\$30.15	\$9.40	\$16.59	\$0.00	\$56.14

Effective Date - 12/01/2023

Step	percent	Apprentice Base Wage	Health	Pension	Supplemental Unemployment	Total Rate
1	60	\$20.48	\$9.40	\$16.59	\$0.00	\$46.47
2	70	\$23.89	\$9.40	\$16.59	\$0.00	\$49.88
3	80	\$27.30	\$9.40	\$16.59	\$0.00	\$53.29
4	90	\$30.72	\$9.40	\$16.59	\$0.00	\$56.71

Notes:

Apprentice to Journeyworker Ratio:1:5

LABORER (HEAVY & HIGHWAY)	06/01/2023	\$33.50	\$9.40	\$14.53	\$0.00	\$57.43
LABORERS - ZONE 3 (HEAVY & HIGHWAY)	12/01/2023	\$34.13	\$9.40	\$14.53	\$0.00	\$58.06
	06/01/2024	\$35.33	\$9.40	\$14.53	\$0.00	\$59.26
	12/01/2024	\$36.53	\$9.40	\$14.53	\$0.00	\$60.46
	06/01/2025	\$37.78	\$9.40	\$14.53	\$0.00	\$61.71
	12/01/2025	\$39.02	\$9.40	\$14.53	\$0.00	\$62.95
	06/01/2026	\$40.32	\$9.40	\$14.53	\$0.00	\$64.25
	12/01/2026	\$41.61	\$9.40	\$14.53	\$0.00	\$65.54

Classification

Effective Date Base Wage Health Pension Supplemental Unemployment Total Rate

Apprentice - LABORER (Heavy & Highway) - Zone 3

Effective Date - 06/01/2023

Step	percent	Apprentice Base Wage	Health	Pension	Supplemental Unemployment	Total Rate
1	60	\$20.10	\$9.40	\$14.53	\$0.00	\$44.03
2	70	\$23.45	\$9.40	\$14.53	\$0.00	\$47.38
3	80	\$26.80	\$9.40	\$14.53	\$0.00	\$50.73
4	90	\$30.15	\$9.40	\$14.53	\$0.00	\$54.08

Effective Date - 12/01/2023

Step	percent	Apprentice Base Wage	Health	Pension	Supplemental Unemployment	Total Rate
1	60	\$20.48	\$9.40	\$14.53	\$0.00	\$44.41
2	70	\$23.89	\$9.40	\$14.53	\$0.00	\$47.82
3	80	\$27.30	\$9.40	\$14.53	\$0.00	\$51.23
4	90	\$30.72	\$9.40	\$14.53	\$0.00	\$54.65

Notes:

Apprentice to Journeyworker Ratio:1:5

LABORER: CARPENTER TENDER
LABORERS - ZONE 3 (BUILDING & SITE) 06/01/2023 \$33.50 \$9.40 \$16.59 \$0.00 \$59.49

For apprentice rates see "Apprentice- LABORER"

12/01/2023 \$34.13 \$9.40 \$16.59 \$0.00 \$60.12

LABORER: CEMENT FINISHER TENDER
LABORERS - ZONE 3 (BUILDING & SITE) 06/01/2023 \$33.50 \$9.40 \$16.59 \$0.00 \$59.49

For apprentice rates see "Apprentice- LABORER"

12/01/2023 \$34.13 \$9.40 \$16.59 \$0.00 \$60.12

LABORER: HAZARDOUS WASTE/ASBESTOS REMOVER
LABORERS - ZONE 3 (BUILDING & SITE) 06/01/2023 \$33.47 \$9.40 \$16.72 \$0.00 \$59.59

For apprentice rates see "Apprentice- LABORER"

12/01/2023 \$34.10 \$9.40 \$16.72 \$0.00 \$60.22

LABORER: MASON TENDER
LABORERS - ZONE 3 (BUILDING & SITE) 06/01/2023 \$34.50 \$9.40 \$16.59 \$0.00 \$60.49

For apprentice rates see "Apprentice- LABORER"

12/01/2023 \$35.13 \$9.40 \$16.59 \$0.00 \$61.12

LABORER: MASON TENDER (HEAVY & HIGHWAY)
LABORERS - ZONE 3 (HEAVY & HIGHWAY) 06/01/2023 \$33.75 \$9.40 \$14.53 \$0.00 \$57.68

12/01/2023 \$34.38 \$9.40 \$14.53 \$0.00 \$58.31

06/01/2024 \$35.58 \$9.40 \$14.53 \$0.00 \$59.51

12/01/2024 \$36.78 \$9.40 \$14.53 \$0.00 \$60.71

06/01/2025 \$38.03 \$9.40 \$14.53 \$0.00 \$61.96

12/01/2025 \$39.27 \$9.40 \$14.53 \$0.00 \$63.20

06/01/2026 \$40.57 \$9.40 \$14.53 \$0.00 \$64.50

12/01/2026 \$41.86 \$9.40 \$14.53 \$0.00 \$65.79

For apprentice rates see "Apprentice- LABORER (Heavy and Highway)"

LABORER: MULTI-TRADE TENDER
LABORERS - ZONE 3 (BUILDING & SITE) 06/01/2023 \$33.50 \$9.40 \$16.59 \$0.00 \$59.49

For apprentice rates see "Apprentice- LABORER"

12/01/2023 \$34.13 \$9.40 \$16.59 \$0.00 \$60.12

LABORER: TREE REMOVER
LABORERS - ZONE 3 (BUILDING & SITE) 06/01/2023 \$33.50 \$9.40 \$16.59 \$0.00 \$59.49

This classification applies to the removal of standing trees, and the trimming and removal of branches and limbs when related to public works construction or site clearance incidental to construction . For apprentice rates see "Apprentice- LABORER"

12/01/2023 \$34.13 \$9.40 \$16.59 \$0.00 \$60.12

Classification	Effective Date	Base Wage	Health	Pension	Supplemental Unemployment	Total Rate
LASER BEAM OPERATOR <i>LABORERS - ZONE 3 (BUILDING & SITE)</i>	06/01/2023	\$33.75	\$9.40	\$16.59	\$0.00	\$59.74
	12/01/2023	\$34.38	\$9.00	\$16.59	\$0.00	\$59.97
For apprentice rates see "Apprentice- LABORER"						
LASER BEAM OPERATOR (HEAVY & HIGHWAY) <i>LABORERS - ZONE 3 (HEAVY & HIGHWAY)</i>	06/01/2023	\$33.75	\$9.40	\$14.53	\$0.00	\$57.68
	12/01/2023	\$34.38	\$9.40	\$14.53	\$0.00	\$58.31
	06/01/2024	\$35.58	\$9.40	\$14.53	\$0.00	\$59.51
	12/01/2024	\$36.78	\$9.40	\$14.53	\$0.00	\$60.71
	06/01/2025	\$38.03	\$9.40	\$14.53	\$0.00	\$61.96
	12/01/2025	\$39.27	\$9.40	\$14.53	\$0.00	\$63.20
	06/01/2026	\$40.57	\$9.40	\$14.53	\$0.00	\$64.50
	12/01/2026	\$41.86	\$9.40	\$14.53	\$0.00	\$65.79
For apprentice rates see "Apprentice- LABORER (Heavy and Highway)"						

MARBLE & TILE FINISHERS <i>BRICKLAYERS LOCAL 3 (SPR/PITT) - MARBLE & TILE</i>	02/01/2023	\$39.73	\$11.49	\$19.53	\$0.00	\$70.75
	08/01/2023	\$41.37	\$11.49	\$19.53	\$0.00	\$72.39
	02/01/2024	\$42.37	\$11.49	\$19.53	\$0.00	\$73.39
	08/01/2024	\$44.05	\$11.49	\$19.53	\$0.00	\$75.07
	02/01/2025	\$45.90	\$11.49	\$19.53	\$0.00	\$76.92
	08/01/2025	\$46.81	\$11.49	\$19.53	\$0.00	\$77.83
	02/01/2026	\$47.89	\$11.49	\$19.53	\$0.00	\$78.91
	08/01/2026	\$49.65	\$11.49	\$19.53	\$0.00	\$80.67
	02/01/2027	\$50.77	\$11.49	\$19.53	\$0.00	\$81.79

Apprentice - MARBLE-TILE FINISHER-Local 3 Marble/Tile (Spr/Pitt)

Effective Date - 02/01/2023

Step	percent	Apprentice Base Wage	Health	Pension	Supplemental Unemployment	Total Rate
1	50	\$19.87	\$11.49	\$19.53	\$0.00	\$50.89
2	60	\$23.84	\$11.49	\$19.53	\$0.00	\$54.86
3	70	\$27.81	\$11.49	\$19.53	\$0.00	\$58.83
4	80	\$31.78	\$11.49	\$19.53	\$0.00	\$62.80
5	90	\$35.76	\$11.49	\$19.53	\$0.00	\$66.78

Effective Date - 08/01/2023

Step	percent	Apprentice Base Wage	Health	Pension	Supplemental Unemployment	Total Rate
1	50	\$20.69	\$11.49	\$19.53	\$0.00	\$51.71
2	60	\$24.82	\$11.49	\$19.53	\$0.00	\$55.84
3	70	\$28.96	\$11.49	\$19.53	\$0.00	\$59.98
4	80	\$33.10	\$11.49	\$19.53	\$0.00	\$64.12
5	90	\$37.23	\$11.49	\$19.53	\$0.00	\$68.25

Notes:

Apprentice to Journeyworker Ratio:1:5

MARBLE MASON/TILE LAYER(SP/PT)SeeBrick

BRICKLAYERS LOCAL 3 (SPR/PITT) - MARBLE & TILE

See "BRICK/STONE/ARTIFICIAL MASONRY(INCL.MASONRY WATERPROOFING)

Classification	Effective Date	Base Wage	Health	Pension	Supplemental Unemployment	Total Rate
MECH. SWEEPER OPERATOR (ON CONST. SITES) <i>OPERATING ENGINEERS LOCAL 98</i>	06/01/2023	\$38.86	\$13.58	\$15.10	\$0.00	\$67.54
	12/01/2023	\$39.81	\$13.58	\$15.10	\$0.00	\$68.49
For apprentice rates see "Apprentice- OPERATING ENGINEERS"						
MECHANIC/WELDER/BOOM TRUCK <i>OPERATING ENGINEERS LOCAL 98</i>	06/01/2023	\$38.33	\$13.58	\$15.10	\$0.00	\$67.01
	12/01/2023	\$39.28	\$13.58	\$15.10	\$0.00	\$67.96
For apprentice rates see "Apprentice- OPERATING ENGINEERS"						
MILLWRIGHT (Zone 3) <i>MILLWRIGHTS LOCAL 1121 - Zone 3</i>	01/02/2023	\$40.16	\$8.58	\$21.57	\$0.00	\$70.31

Apprentice - MILLWRIGHT - Local 1121 Zone 3

Effective Date - 01/02/2023

Step	percent	Apprentice Base Wage	Health	Pension	Supplemental Unemployment	Total Rate
1	55	\$22.09	\$8.58	\$5.72	\$0.00	\$36.39
2	65	\$26.10	\$8.58	\$17.93	\$0.00	\$52.61
3	75	\$30.12	\$8.58	\$18.98	\$0.00	\$57.68
4	85	\$34.14	\$8.58	\$20.01	\$0.00	\$62.73

Notes: Step 1&2 Appr. indentured after 1/6/2020 receive no pension, but do receive annuity. (Step 1 \$5.72, Step 2 \$6.66)
Steps are 2,000 hours

Apprentice to Journeyworker Ratio:1:4

MORTAR MIXER <i>LABORERS - ZONE 3 (BUILDING & SITE)</i>	06/01/2023	\$33.75	\$9.40	\$16.59	\$0.00	\$59.74
	12/01/2023	\$34.38	\$9.00	\$16.59	\$0.00	\$59.97
For apprentice rates see "Apprentice- LABORER"						
OILER <i>OPERATING ENGINEERS LOCAL 98</i>	06/01/2023	\$34.04	\$13.58	\$15.10	\$0.00	\$62.72
	12/01/2023	\$35.27	\$13.58	\$15.10	\$0.00	\$63.95
For apprentice rates see "Apprentice- OPERATING ENGINEERS"						
OTHER POWER DRIVEN EQUIPMENT - CLASS VI <i>OPERATING ENGINEERS LOCAL 98</i>	06/01/2023	\$32.04	\$13.58	\$15.10	\$0.00	\$60.72
	12/01/2023	\$32.99	\$13.58	\$15.10	\$0.00	\$61.67
For apprentice rates see "Apprentice- OPERATING ENGINEERS"						
PAINTER (BRIDGES/TANKS) <i>PAINTERS LOCAL 35 - ZONE 3</i>	07/01/2023	\$55.51	\$9.65	\$23.70	\$0.00	\$88.86
	01/01/2024	\$56.06	\$9.95	\$23.95	\$0.00	\$89.96
	07/01/2024	\$57.26	\$9.95	\$23.95	\$0.00	\$91.16
	01/01/2025	\$58.46	\$9.95	\$23.95	\$0.00	\$92.36

Classification

Effective Date Base Wage Health Pension Supplemental Unemployment Total Rate

Apprentice - PAINTER Local 35 - BRIDGES/TANKS

Effective Date - 07/01/2023

Step	percent	Apprentice Base Wage	Health	Pension	Supplemental Unemployment	Total Rate
1	50	\$27.76	\$9.65	\$0.00	\$0.00	\$37.41
2	55	\$30.53	\$9.65	\$6.55	\$0.00	\$46.73
3	60	\$33.31	\$9.65	\$7.14	\$0.00	\$50.10
4	65	\$36.08	\$9.65	\$7.74	\$0.00	\$53.47
5	70	\$38.86	\$9.65	\$20.13	\$0.00	\$68.64
6	75	\$41.63	\$9.65	\$20.73	\$0.00	\$72.01
7	80	\$44.41	\$9.65	\$21.32	\$0.00	\$75.38
8	90	\$49.96	\$9.65	\$22.51	\$0.00	\$82.12

Effective Date - 01/01/2024

Step	percent	Apprentice Base Wage	Health	Pension	Supplemental Unemployment	Total Rate
1	50	\$28.03	\$9.95	\$0.00	\$0.00	\$37.98
2	55	\$30.83	\$9.95	\$6.66	\$0.00	\$47.44
3	60	\$33.64	\$9.95	\$7.26	\$0.00	\$50.85
4	65	\$36.44	\$9.95	\$7.87	\$0.00	\$54.26
5	70	\$39.24	\$9.95	\$20.32	\$0.00	\$69.51
6	75	\$42.05	\$9.95	\$20.93	\$0.00	\$72.93
7	80	\$44.85	\$9.95	\$21.53	\$0.00	\$76.33
8	90	\$50.45	\$9.95	\$22.74	\$0.00	\$83.14

Notes:

Steps are 750 hrs.

Apprentice to Journeyworker Ratio:1:1

PAINTER (SPRAY OR SANDBLAST, NEW) *	07/01/2023	\$39.98	\$8.65	\$19.15	\$0.00	\$67.78
* If 30% or more of surfaces to be painted are new construction, NEW paint rate shall be used.PAINTERS LOCAL 35 - ZONE 3	01/01/2024	\$41.08	\$8.65	\$19.15	\$0.00	\$68.88
	07/01/2024	\$42.13	\$8.65	\$19.15	\$0.00	\$69.93
	01/01/2025	\$43.23	\$8.65	\$19.15	\$0.00	\$71.03

Classification

Effective Date Base Wage Health Pension Supplemental Unemployment Total Rate

Apprentice - PAINTER Local 35 Zone 3 - Spray/Sandblast - New

Effective Date - 07/01/2023

Step	percent	Apprentice Base Wage	Health	Pension	Supplemental Unemployment	Total Rate
1	50	\$19.99	\$9.65	\$0.00	\$0.00	\$29.64
2	55	\$21.99	\$9.65	\$4.35	\$0.00	\$35.99
3	60	\$23.99	\$9.65	\$4.74	\$0.00	\$38.38
4	65	\$25.99	\$9.65	\$5.14	\$0.00	\$40.78
5	70	\$27.99	\$9.65	\$17.33	\$0.00	\$54.97
6	75	\$29.99	\$9.65	\$17.73	\$0.00	\$57.37
7	80	\$31.98	\$9.65	\$18.12	\$0.00	\$59.75
8	90	\$35.98	\$9.65	\$18.91	\$0.00	\$64.54

Effective Date - 01/01/2024

Step	percent	Apprentice Base Wage	Health	Pension	Supplemental Unemployment	Total Rate
1	50	\$20.54	\$9.95	\$0.00	\$0.00	\$30.49
2	55	\$22.59	\$9.95	\$4.43	\$0.00	\$36.97
3	60	\$24.65	\$9.95	\$4.83	\$0.00	\$39.43
4	65	\$26.70	\$9.95	\$5.23	\$0.00	\$41.88
5	70	\$28.76	\$9.95	\$17.49	\$0.00	\$56.20
6	75	\$30.81	\$9.95	\$17.89	\$0.00	\$58.65
7	80	\$32.86	\$9.95	\$18.29	\$0.00	\$61.10
8	90	\$36.97	\$9.95	\$19.10	\$0.00	\$66.02

Notes:
Steps are 750 hrs.

Apprentice to Journeyworker Ratio:1:1

PAINTER (SPRAY OR SANDBLAST, REPAINT)	07/01/2023	\$35.65	\$9.65	\$19.70	\$0.00	\$65.00
PAINTERS LOCAL 35 - ZONE 3	01/01/2024	\$36.15	\$9.95	\$19.90	\$0.00	\$66.00
	07/01/2024	\$37.35	\$9.95	\$19.90	\$0.00	\$67.20
	01/01/2025	\$38.55	\$9.95	\$19.90	\$0.00	\$68.40

Classification

Effective Date Base Wage Health Pension Supplemental Unemployment Total Rate

Apprentice - PAINTER Local 35 Zone 3 - Spray/Sandblast - Repaint

Effective Date - 07/01/2023

Step	percent	Apprentice Base Wage	Health	Pension	Supplemental Unemployment	Total Rate
1	50	\$17.83	\$9.65	\$0.00	\$0.00	\$27.48
2	55	\$19.61	\$9.65	\$4.35	\$0.00	\$33.61
3	60	\$21.39	\$9.65	\$4.74	\$0.00	\$35.78
4	65	\$23.17	\$9.65	\$5.14	\$0.00	\$37.96
5	70	\$24.96	\$9.65	\$17.33	\$0.00	\$51.94
6	75	\$26.74	\$9.65	\$17.73	\$0.00	\$54.12
7	80	\$28.52	\$9.65	\$18.12	\$0.00	\$56.29
8	90	\$32.09	\$9.65	\$18.91	\$0.00	\$60.65

Effective Date - 01/01/2024

Step	percent	Apprentice Base Wage	Health	Pension	Supplemental Unemployment	Total Rate
1	50	\$18.08	\$9.95	\$0.00	\$0.00	\$28.03
2	55	\$19.88	\$9.95	\$4.43	\$0.00	\$34.26
3	60	\$21.69	\$9.95	\$4.83	\$0.00	\$36.47
4	65	\$23.50	\$9.95	\$5.23	\$0.00	\$38.68
5	70	\$25.31	\$9.95	\$17.49	\$0.00	\$52.75
6	75	\$27.11	\$9.95	\$17.89	\$0.00	\$54.95
7	80	\$28.92	\$9.95	\$18.29	\$0.00	\$57.16
8	90	\$32.54	\$9.95	\$19.10	\$0.00	\$61.59

Notes:

Steps are 750 hrs.

Apprentice to Journeyworker Ratio:1:1

PAINTER / TAPER (BRUSH, NEW) *	07/01/2023	\$36.93	\$9.65	\$19.70	\$0.00	\$66.28
* If 30% or more of surfaces to be painted are new construction, NEW paint rate shall be used. PAINTERS LOCAL 35 - ZONE 3	01/01/2024	\$37.43	\$9.95	\$19.90	\$0.00	\$67.28
	07/01/2024	\$38.63	\$9.95	\$19.90	\$0.00	\$68.48
	01/01/2025	\$39.83	\$9.95	\$19.90	\$0.00	\$69.68

Classification

Effective Date Base Wage Health Pension Supplemental Unemployment Total Rate

Apprentice - PAINTER - Local 35 Zone 3 - BRUSH NEW

Effective Date - 07/01/2023

Step	percent	Apprentice Base Wage	Health	Pension	Supplemental Unemployment	Total Rate
1	50	\$18.47	\$9.65	\$0.00	\$0.00	\$28.12
2	55	\$20.31	\$9.65	\$4.35	\$0.00	\$34.31
3	60	\$22.16	\$9.65	\$4.74	\$0.00	\$36.55
4	65	\$24.00	\$9.65	\$5.14	\$0.00	\$38.79
5	70	\$25.85	\$9.65	\$17.33	\$0.00	\$52.83
6	75	\$27.70	\$9.65	\$17.73	\$0.00	\$55.08
7	80	\$29.54	\$9.65	\$18.12	\$0.00	\$57.31
8	90	\$33.24	\$9.65	\$1,187.11	\$0.00	\$1,230.00

Effective Date - 01/01/2024

Step	percent	Apprentice Base Wage	Health	Pension	Supplemental Unemployment	Total Rate
1	50	\$18.72	\$9.95	\$0.00	\$0.00	\$28.67
2	55	\$20.59	\$9.95	\$4.43	\$0.00	\$34.97
3	60	\$22.46	\$9.95	\$4.83	\$0.00	\$37.24
4	65	\$24.33	\$9.95	\$5.23	\$0.00	\$39.51
5	70	\$26.20	\$9.95	\$17.49	\$0.00	\$53.64
6	75	\$28.07	\$9.95	\$17.89	\$0.00	\$55.91
7	80	\$29.94	\$9.95	\$18.29	\$0.00	\$58.18
8	90	\$33.69	\$9.95	\$19.10	\$0.00	\$62.74

Notes:
Steps are 750 hrs.

Apprentice to Journeyworker Ratio:1:1

PAINTER / TAPER (BRUSH, REPAINT)	07/01/2023	\$34.25	\$9.65	\$19.70	\$0.00	\$63.60
PAINTERS LOCAL 35 - ZONE 3	01/01/2024	\$34.75	\$9.95	\$19.90	\$0.00	\$64.60
	07/01/2024	\$35.95	\$9.95	\$19.90	\$0.00	\$65.80
	01/01/2025	\$37.15	\$9.95	\$19.90	\$0.00	\$67.00

Classification

Effective Date Base Wage Health Pension Supplemental Unemployment Total Rate

Apprentice - PAINTER Local 35 Zone 3 - BRUSH REPAINT

Effective Date - 07/01/2023

Step	percent	Apprentice Base Wage	Health	Pension	Supplemental Unemployment	Total Rate
1	50	\$17.13	\$9.65	\$0.00	\$0.00	\$26.78
2	55	\$18.84	\$9.65	\$4.35	\$0.00	\$32.84
3	60	\$20.55	\$9.65	\$4.74	\$0.00	\$34.94
4	65	\$22.26	\$9.65	\$5.14	\$0.00	\$37.05
5	70	\$23.98	\$9.65	\$17.33	\$0.00	\$50.96
6	75	\$25.69	\$9.65	\$17.73	\$0.00	\$53.07
7	80	\$27.40	\$9.65	\$18.12	\$0.00	\$55.17
8	90	\$30.83	\$9.65	\$18.91	\$0.00	\$59.39

Effective Date - 01/01/2024

Step	percent	Apprentice Base Wage	Health	Pension	Supplemental Unemployment	Total Rate
1	50	\$17.38	\$9.95	\$0.00	\$0.00	\$27.33
2	55	\$19.11	\$9.95	\$4.43	\$0.00	\$33.49
3	60	\$20.85	\$9.95	\$4.83	\$0.00	\$35.63
4	65	\$22.59	\$9.95	\$5.23	\$0.00	\$37.77
5	70	\$24.33	\$9.95	\$17.49	\$0.00	\$51.77
6	75	\$26.06	\$9.95	\$17.89	\$0.00	\$53.90
7	80	\$27.80	\$9.95	\$18.29	\$0.00	\$56.04
8	90	\$31.28	\$9.95	\$19.10	\$0.00	\$60.33

Notes:
Steps are 750 hrs.

Apprentice to Journeyworker Ratio:1:1

PAINTER TRAFFIC MARKINGS (HEAVY/HIGHWAY) LABORERS - ZONE 3 (HEAVY & HIGHWAY)	06/01/2023	\$33.50	\$9.40	\$14.53	\$0.00	\$57.43
	12/01/2023	\$34.13	\$9.40	\$14.53	\$0.00	\$58.06
	06/01/2024	\$35.33	\$9.40	\$14.53	\$0.00	\$59.26
	12/01/2024	\$36.53	\$9.40	\$14.53	\$0.00	\$60.46
	06/01/2025	\$37.78	\$9.40	\$14.53	\$0.00	\$61.71
	12/01/2025	\$39.02	\$9.40	\$14.53	\$0.00	\$62.95
	06/01/2026	\$40.32	\$9.40	\$14.53	\$0.00	\$64.25
	12/01/2026	\$41.61	\$9.40	\$14.53	\$0.00	\$65.54

For apprentice rates see "Apprentice- LABORER (Heavy and Highway)

PANEL & PICKUP TRUCKS DRIVER TEAMSTERS JOINT COUNCIL NO. 10 ZONE B	12/01/2021	\$35.78	\$13.41	\$16.01	\$0.00	\$65.20
---	------------	---------	---------	---------	--------	---------

PIER AND DOCK CONSTRUCTOR (UNDERPINNING AND DECK) PILE DRIVER LOCAL 56 (ZONE 3)	08/01/2020	\$43.53	\$9.40	\$23.12	\$0.00	\$76.05
--	------------	---------	--------	---------	--------	---------

For apprentice rates see "Apprentice- PILE DRIVER"

PILE DRIVER PILE DRIVER LOCAL 56 (ZONE 3)	08/01/2020	\$43.53	\$9.40	\$23.12	\$0.00	\$76.05
--	------------	---------	--------	---------	--------	---------

Apprentice - PILE DRIVER - Local 56 Zone 3

Effective Date - 08/01/2020

Step	percent	Apprentice Base Wage	Health	Pension	Supplemental Unemployment	Total Rate
1	0	\$0.00	\$0.00	\$0.00	\$0.00	\$0.00

Notes: Apprentice wages shall be no less than the following Steps;
 (Same as set in Zone 1)
 1\$57.06/2\$61.96/3\$66.87/4\$69.32/5\$71.78/6\$71.78/7\$76.68/8\$76.68

Apprentice to Journeyworker Ratio:1:5

PIPELAYER <i>LABORERS - ZONE 3 (BUILDING & SITE)</i>	06/01/2023	\$33.75	\$9.40	\$16.59	\$0.00	\$59.74
	12/01/2023	\$34.38	\$9.00	\$16.59	\$0.00	\$59.97

For apprentice rates see "Apprentice- LABORER"

PIPELAYER (HEAVY & HIGHWAY) <i>LABORERS - ZONE 3 (HEAVY & HIGHWAY)</i>	06/01/2023	\$33.75	\$9.40	\$14.53	\$0.00	\$57.68
	12/01/2023	\$34.38	\$9.40	\$14.53	\$0.00	\$58.31
	06/01/2024	\$35.58	\$9.40	\$14.53	\$0.00	\$59.51
	12/01/2024	\$36.78	\$9.40	\$14.53	\$0.00	\$60.71
	06/01/2025	\$38.03	\$9.40	\$14.53	\$0.00	\$61.96
	12/01/2025	\$39.27	\$9.40	\$14.53	\$0.00	\$63.20
	06/01/2026	\$40.57	\$9.40	\$14.53	\$0.00	\$64.50
	12/01/2026	\$41.86	\$9.40	\$14.53	\$0.00	\$65.79

For apprentice rates see "Apprentice- LABORER (Heavy and Highway)"

PLUMBER & PIPEFITTER <i>PLUMBERS & PIPEFITTERS LOCAL 104</i>	03/17/2023	\$46.96	\$9.55	\$17.10	\$0.00	\$73.61
	09/17/2023	\$47.96	\$9.55	\$17.10	\$0.00	\$74.61
	03/17/2024	\$49.21	\$9.55	\$17.10	\$0.00	\$75.86

Apprentice - PLUMBER/PIPEFITTER - Local 104

Effective Date - 03/17/2023

Step	percent	Apprentice Base Wage	Health	Pension	Supplemental Unemployment	Total Rate
1	45	\$21.13	\$9.55	\$10.10	\$0.00	\$40.78
2	50	\$23.48	\$9.55	\$10.10	\$0.00	\$43.13
3	55	\$25.83	\$9.55	\$10.10	\$0.00	\$45.48
4	60	\$28.18	\$9.55	\$10.10	\$0.00	\$47.83
5	65	\$30.52	\$9.55	\$10.10	\$0.00	\$50.17
6	70	\$32.87	\$9.55	\$10.10	\$0.00	\$52.52
7	75	\$35.22	\$9.55	\$10.10	\$0.00	\$54.87
8	80	\$37.57	\$9.55	\$10.10	\$0.00	\$57.22
9	80	\$37.57	\$9.55	\$17.10	\$0.00	\$64.22
10	80	\$37.57	\$9.55	\$17.10	\$0.00	\$64.22

Notes: **1:1,2:5,3:9,4:12

Apprentice to Journeyworker Ratio:**

Classification	Effective Date	Base Wage	Health	Pension	Supplemental Unemployment	Total Rate
PNEUMATIC CONTROLS (TEMP.) <i>PLUMBERS & PIPEFITTERS LOCAL 104</i>	03/17/2023	\$46.96	\$9.55	\$17.10	\$0.00	\$73.61
	09/17/2023	\$47.96	\$9.55	\$17.10	\$0.00	\$74.61
	03/17/2024	\$49.21	\$9.55	\$17.10	\$0.00	\$75.86
For apprentice rates see "Apprentice- PIPEFITTER" or "PLUMBER/PIPEFITTER"						
PNEUMATIC DRILL/TOOL OPERATOR (HEAVY & HIGHWAY) <i>LABORERS - ZONE 3 (HEAVY & HIGHWAY)</i>	06/01/2023	\$33.75	\$9.40	\$14.53	\$0.00	\$57.68
	12/01/2023	\$34.38	\$9.40	\$14.53	\$0.00	\$58.31
	06/01/2024	\$35.58	\$9.40	\$14.53	\$0.00	\$59.51
	12/01/2024	\$36.78	\$9.40	\$14.53	\$0.00	\$60.71
	06/01/2025	\$38.03	\$9.40	\$14.53	\$0.00	\$61.96
	12/01/2025	\$39.27	\$9.40	\$14.53	\$0.00	\$63.20
	06/01/2026	\$40.57	\$9.40	\$14.53	\$0.00	\$64.50
12/01/2026	\$41.86	\$9.40	\$14.53	\$0.00	\$65.79	
For apprentice rates see "Apprentice- LABORER (Heavy and Highway)						
POWDERMAN & BLASTER <i>LABORERS - ZONE 3 (BUILDING & SITE)</i>	06/01/2023	\$34.50	\$9.40	\$16.59	\$0.00	\$60.49
	12/01/2023	\$35.13	\$9.40	\$16.59	\$0.00	\$61.12
For apprentice rates see "Apprentice- LABORER"						
POWDERMAN & BLASTER (HEAVY & HIGHWAY) <i>LABORERS - ZONE 3 (HEAVY & HIGHWAY)</i>	06/01/2023	\$34.50	\$9.40	\$14.53	\$0.00	\$58.43
	12/01/2023	\$35.13	\$9.40	\$14.53	\$0.00	\$59.06
	06/01/2024	\$36.33	\$9.40	\$14.53	\$0.00	\$60.26
	12/01/2024	\$37.53	\$9.40	\$14.53	\$0.00	\$61.46
	06/01/2025	\$38.78	\$9.40	\$14.53	\$0.00	\$62.71
	12/01/2025	\$40.02	\$9.40	\$14.53	\$0.00	\$63.95
	06/01/2026	\$41.32	\$9.40	\$14.53	\$0.00	\$65.25
12/01/2026	\$42.61	\$9.40	\$14.53	\$0.00	\$66.54	
For apprentice rates see "Apprentice- LABORER (Heavy and Highway)						
PUMP OPERATOR (CONCRETE) <i>OPERATING ENGINEERS LOCAL 98</i>	06/01/2023	\$38.86	\$13.58	\$15.10	\$0.00	\$67.54
	12/01/2023	\$39.81	\$13.58	\$15.10	\$0.00	\$68.49
For apprentice rates see "Apprentice- OPERATING ENGINEERS"						
PUMP OPERATOR (DEWATERING, OTHER) <i>OPERATING ENGINEERS LOCAL 98</i>	06/01/2023	\$38.33	\$13.58	\$15.10	\$0.00	\$67.01
	12/01/2023	\$39.28	\$13.58	\$15.10	\$0.00	\$67.96
For apprentice rates see "Apprentice- OPERATING ENGINEERS"						
READY-MIX CONCRETE DRIVER <i>TEAMSTERS 404 - Construction Service (Northampton)</i>	05/01/2020	\$22.44	\$11.07	\$6.50	\$0.00	\$40.01
RIDE-ON MOTORIZED BUGGY OPERATOR <i>LABORERS - ZONE 3 (BUILDING & SITE)</i>	06/01/2023	\$33.75	\$9.40	\$16.59	\$0.00	\$59.74
	12/01/2023	\$34.38	\$9.00	\$16.59	\$0.00	\$59.97
For apprentice rates see "Apprentice- LABORER"						
ROLLER OPERATOR <i>OPERATING ENGINEERS LOCAL 98</i>	06/01/2023	\$37.72	\$13.58	\$15.10	\$0.00	\$66.40
	12/01/2023	\$38.67	\$13.58	\$15.10	\$0.00	\$67.35
For apprentice rates see "Apprentice- OPERATING ENGINEERS"						
ROOFER (Coal tar pitch) <i>ROOFERS LOCAL 248</i>	07/01/2022	\$38.16	\$10.35	\$17.25	\$0.00	\$65.76
	07/16/2023	\$38.91	\$10.35	\$18.00	\$0.00	\$67.26
For apprentice rates see "Apprentice- ROOFER"						
ROOFER (Inc.Roofing Waterproofing &Roofing Damproofing) <i>ROOFERS LOCAL 248</i>	07/16/2022	\$37.66	\$10.35	\$16.75	\$0.00	\$64.76
	07/16/2023	\$38.41	\$10.35	\$18.00	\$0.00	\$66.76

Classification

Effective Date Base Wage Health Pension Supplemental Unemployment Total Rate

Apprentice - ROOFER - Local 248

Effective Date - 07/16/2022

Step	percent	Apprentice Base Wage	Health	Pension	Supplemental Unemployment	Total Rate
1	60	\$22.60	\$10.35	\$0.00	\$0.00	\$32.95
2	65	\$24.48	\$10.35	\$16.75	\$0.00	\$51.58
3	70	\$26.36	\$10.35	\$16.75	\$0.00	\$53.46
4	75	\$28.25	\$10.35	\$16.75	\$0.00	\$55.35
5	80	\$30.13	\$10.35	\$16.75	\$0.00	\$57.23
6	85	\$32.01	\$10.35	\$16.75	\$0.00	\$59.11
7	90	\$33.89	\$10.35	\$16.75	\$0.00	\$60.99
8	95	\$35.78	\$10.35	\$16.75	\$0.00	\$62.88

Effective Date - 07/16/2023

Step	percent	Apprentice Base Wage	Health	Pension	Supplemental Unemployment	Total Rate
1	60	\$23.05	\$10.35	\$0.00	\$0.00	\$33.40
2	65	\$24.97	\$10.35	\$18.00	\$0.00	\$53.32
3	70	\$26.89	\$10.35	\$18.00	\$0.00	\$55.24
4	75	\$28.81	\$10.35	\$18.00	\$0.00	\$57.16
5	80	\$30.73	\$10.35	\$18.00	\$0.00	\$59.08
6	85	\$32.65	\$10.35	\$18.00	\$0.00	\$61.00
7	90	\$34.57	\$10.35	\$18.00	\$0.00	\$62.92
8	95	\$36.49	\$10.35	\$18.00	\$0.00	\$64.84

Notes:

Steps are 750 hrs.Roofer(Tear Off)1:1; Same as above

Apprentice to Journeyworker Ratio:1:3

ROOFER SLATE / TILE / PRECAST CONCRETE <i>ROOFERS LOCAL 248</i>	07/01/2022	\$38.16	\$10.35	\$17.25	\$0.00	\$65.76
	07/16/2023	\$38.91	\$10.35	\$18.00	\$0.00	\$67.26
For apprentice rates see "Apprentice- ROOFER"						
SCRAPER <i>OPERATING ENGINEERS LOCAL 98</i>	06/01/2023	\$38.33	\$13.58	\$15.10	\$0.00	\$67.01
	12/01/2023	\$39.28	\$13.58	\$15.10	\$0.00	\$67.96
For apprentice rates see "Apprentice- OPERATING ENGINEERS"						
SELF-POWERED ROLLERS AND COMPACTORS (TAMPERS) <i>OPERATING ENGINEERS LOCAL 98</i>	06/01/2023	\$37.72	\$13.58	\$15.10	\$0.00	\$66.40
	12/01/2023	\$38.67	\$13.58	\$15.10	\$0.00	\$67.35
For apprentice rates see "Apprentice- OPERATING ENGINEERS"						
SELF-PROPELLED POWER BROOM <i>OPERATING ENGINEERS LOCAL 98</i>	06/01/2023	\$35.10	\$13.58	\$15.10	\$0.00	\$63.78
	12/01/2023	\$36.05	\$13.58	\$15.10	\$0.00	\$64.73
For apprentice rates see "Apprentice- OPERATING ENGINEERS"						
SHEETMETAL WORKER <i>SHEETMETAL WORKERS LOCAL 63</i>	07/01/2023	\$42.55	\$10.64	\$17.54	\$2.05	\$72.78
	01/01/2024	\$43.80	\$10.64	\$17.54	\$2.05	\$74.03
	07/01/2024	\$45.05	\$10.64	\$17.54	\$2.05	\$75.28
	01/01/2025	\$46.30	\$10.64	\$17.54	\$2.05	\$76.53

Classification

Effective Date Base Wage Health Pension Supplemental Unemployment Total Rate

Apprentice - SHEET METAL WORKER - Local 63

Effective Date - 07/01/2023

Step	percent	Apprentice Base Wage	Health	Pension	Supplemental Unemployment	Total Rate
1	45	\$19.15	\$4.79	\$4.76	\$0.92	\$29.62
2	50	\$21.28	\$5.32	\$5.29	\$1.03	\$32.92
3	55	\$23.40	\$5.85	\$5.82	\$1.13	\$36.20
4	60	\$25.53	\$6.38	\$6.35	\$1.23	\$39.49
5	65	\$27.66	\$6.92	\$6.88	\$1.33	\$42.79
6	70	\$29.79	\$7.45	\$7.41	\$1.44	\$46.09
7	75	\$31.91	\$7.98	\$7.94	\$1.54	\$49.37
8	80	\$34.04	\$8.51	\$15.42	\$1.64	\$59.61
9	85	\$36.17	\$9.04	\$15.95	\$1.74	\$62.90
10	90	\$38.30	\$9.58	\$16.48	\$1.85	\$66.21

Effective Date - 01/01/2024

Step	percent	Apprentice Base Wage	Health	Pension	Supplemental Unemployment	Total Rate
1	45	\$19.71	\$4.79	\$4.76	\$0.92	\$30.18
2	50	\$21.90	\$5.32	\$5.29	\$1.03	\$33.54
3	55	\$24.09	\$5.85	\$5.82	\$1.13	\$36.89
4	60	\$26.28	\$6.38	\$6.35	\$1.23	\$40.24
5	65	\$28.47	\$6.92	\$6.88	\$1.33	\$43.60
6	70	\$30.66	\$7.45	\$7.41	\$1.44	\$46.96
7	75	\$32.85	\$7.98	\$7.94	\$1.54	\$50.31
8	80	\$35.04	\$8.51	\$15.42	\$1.64	\$60.61
9	85	\$37.23	\$9.04	\$15.95	\$1.74	\$63.96
10	90	\$39.42	\$9.58	\$13.92	\$1.85	\$64.77

Notes:

Apprentice to Journeyworker Ratio:1:3

SPECIALIZED EARTH MOVING EQUIP < 35 TONS <i>TEAMSTERS JOINT COUNCIL NO. 10 ZONE B</i>	12/01/2021	\$36.24	\$13.41	\$16.01	\$0.00	\$65.66
SPECIALIZED EARTH MOVING EQUIP > 35 TONS <i>TEAMSTERS JOINT COUNCIL NO. 10 ZONE B</i>	12/01/2021	\$36.53	\$13.41	\$16.01	\$0.00	\$65.95
SPRINKLER FITTER <i>SPRINKLER FITTERS LOCAL 669</i>	04/01/2021	\$43.14	\$10.55	\$16.41	\$0.00	\$70.10

Classification

Effective Date Base Wage Health Pension Supplemental Unemployment Total Rate

Apprentice - SPRINKLER FITTER - Local 669

Effective Date - 04/01/2021

Step	percent	Apprentice Base Wage	Health	Pension	Supplemental Unemployment	Total Rate
1	45	\$19.41	\$7.75	\$0.00	\$0.00	\$27.16
2	50	\$21.57	\$7.75	\$0.00	\$0.00	\$29.32
3	55	\$23.73	\$10.55	\$8.15	\$0.00	\$42.43
4	60	\$25.88	\$10.55	\$8.15	\$0.00	\$44.58
5	65	\$28.04	\$10.55	\$8.40	\$0.00	\$46.99
6	70	\$30.20	\$10.55	\$8.40	\$0.00	\$49.15
7	75	\$32.36	\$10.55	\$8.40	\$0.00	\$51.31
8	80	\$34.51	\$10.55	\$8.40	\$0.00	\$53.46
9	85	\$36.67	\$10.55	\$8.40	\$0.00	\$55.62
10	90	\$38.83	\$10.55	\$8.40	\$0.00	\$57.78

Notes:

Apprentice to Journeyworker Ratio:1:1

TELECOMMUNICATION TECHNICIAN ELECTRICIANS LOCAL 7	07/02/2023	\$48.01	\$11.50	\$14.41	\$0.00	\$73.92
	12/31/2023	\$49.01	\$11.75	\$14.61	\$0.00	\$75.37
	06/30/2024	\$50.01	\$12.00	\$14.86	\$0.00	\$76.87
	12/29/2024	\$51.06	\$12.25	\$15.06	\$0.00	\$78.37
	06/29/2025	\$52.16	\$12.50	\$15.21	\$0.00	\$79.87
	12/28/2025	\$53.26	\$12.75	\$15.36	\$0.00	\$81.37
	06/28/2026	\$54.41	\$13.00	\$15.46	\$0.00	\$82.87
	01/03/2027	\$55.56	\$13.25	\$15.56	\$0.00	\$84.37

Classification

Effective Date Base Wage Health Pension Supplemental Unemployment Total Rate

Apprentice - TELECOMMUNICATION TECHNICIAN - Local 7

Effective Date - 07/02/2023

Step	percent	Apprentice Base Wage	Health	Pension	Supplemental Unemployment	Total Rate
1	40	\$19.20	\$6.90	\$1.44	\$0.00	\$27.54
2	45	\$21.60	\$6.90	\$1.44	\$0.00	\$29.94
3	50	\$24.01	\$11.50	\$7.99	\$0.00	\$43.50
4	55	\$26.41	\$11.50	\$7.99	\$0.00	\$45.90
5	65	\$31.21	\$11.50	\$9.92	\$0.00	\$52.63
6	70	\$33.61	\$11.50	\$11.20	\$0.00	\$56.31

Effective Date - 12/31/2023

Step	percent	Apprentice Base Wage	Health	Pension	Supplemental Unemployment	Total Rate
1	40	\$19.60	\$7.05	\$1.47	\$0.00	\$28.12
2	45	\$22.05	\$7.05	\$1.47	\$0.00	\$30.57
3	50	\$24.51	\$11.75	\$8.07	\$0.00	\$44.33
4	55	\$26.96	\$11.75	\$8.07	\$0.00	\$46.78
5	65	\$31.86	\$11.75	\$10.03	\$0.00	\$53.64
6	70	\$34.31	\$11.75	\$11.34	\$0.00	\$57.40

Notes:

Steps are 800 hours

Apprentice to Journeyworker Ratio:1:1

TERRAZZO FINISHERS	02/01/2023	\$59.29	\$11.49	\$22.34	\$0.00	\$93.12
BRICKLAYERS LOCAL 3 (SPR/PITT) - MARBLE & TILE	08/01/2023	\$61.34	\$11.49	\$22.34	\$0.00	\$95.17
	02/01/2024	\$62.59	\$11.49	\$22.34	\$0.00	\$96.42
	08/01/2024	\$64.69	\$11.49	\$22.34	\$0.00	\$98.52
	02/01/2025	\$65.99	\$11.49	\$22.34	\$0.00	\$99.82
	08/01/2025	\$68.14	\$11.49	\$22.34	\$0.00	\$101.97
	02/10/2026	\$69.49	\$11.49	\$22.34	\$0.00	\$103.32
	08/01/2026	\$71.69	\$11.49	\$22.34	\$0.00	\$105.52
	02/01/2027	\$73.09	\$11.49	\$22.34	\$0.00	\$106.92

Classification

Effective Date Base Wage Health Pension Supplemental Unemployment Total Rate

Apprentice - TERRAZZO FINISHER-Local 3 Marble/Tile (Spr/Ptt)

Effective Date - 02/01/2023

Step	percent	Apprentice Base Wage	Health	Pension	Supplemental Unemployment	Total Rate
1	50	\$29.65	\$11.49	\$22.34	\$0.00	\$63.48
2	60	\$35.57	\$11.49	\$22.34	\$0.00	\$69.40
3	70	\$41.50	\$11.49	\$22.34	\$0.00	\$75.33
4	80	\$47.43	\$11.49	\$22.34	\$0.00	\$81.26
5	90	\$53.36	\$11.49	\$22.34	\$0.00	\$87.19

Effective Date - 08/01/2023

Step	percent	Apprentice Base Wage	Health	Pension	Supplemental Unemployment	Total Rate
1	50	\$30.67	\$11.49	\$22.34	\$0.00	\$64.50
2	60	\$36.80	\$11.49	\$22.34	\$0.00	\$70.63
3	70	\$42.94	\$11.49	\$22.34	\$0.00	\$76.77
4	80	\$49.07	\$11.49	\$22.34	\$0.00	\$82.90
5	90	\$55.21	\$11.49	\$22.34	\$0.00	\$89.04

Notes:

Apprentice to Journeyworker Ratio:1:5

TERRAZZO MECHANIC	02/01/2023	\$60.37	\$11.49	\$22.31	\$0.00	\$94.17
BRICKLAYERS LOCAL 3 (SPR/PITT) - MARBLE & TILE	08/01/2023	\$62.42	\$11.49	\$22.31	\$0.00	\$96.22
	02/01/2024	\$63.67	\$11.49	\$22.31	\$0.00	\$97.47
	08/01/2024	\$65.77	\$11.49	\$22.31	\$0.00	\$99.57
	02/01/2025	\$67.07	\$11.49	\$22.31	\$0.00	\$100.87
	08/01/2025	\$69.22	\$11.49	\$22.31	\$0.00	\$103.02
	02/01/2026	\$70.57	\$11.49	\$22.31	\$0.00	\$104.37
	08/01/2026	\$72.77	\$11.49	\$22.31	\$0.00	\$106.57
	02/01/2027	\$74.17	\$11.49	\$22.31	\$0.00	\$107.97

Classification

Effective Date Base Wage Health Pension Supplemental Unemployment Total Rate

Apprentice - TERRAZZO MECH - Local 3 Marble/Tile (Spr/Pitt)

Effective Date - 02/01/2023

Step	percent	Apprentice Base Wage	Health	Pension	Supplemental Unemployment	Total Rate
1	50	\$30.19	\$11.49	\$22.31	\$0.00	\$63.99
2	60	\$36.22	\$11.49	\$22.31	\$0.00	\$70.02
3	70	\$42.26	\$11.49	\$22.31	\$0.00	\$76.06
4	80	\$48.30	\$11.49	\$22.31	\$0.00	\$82.10
5	90	\$54.33	\$11.49	\$22.31	\$0.00	\$88.13

Effective Date - 08/01/2023

Step	percent	Apprentice Base Wage	Health	Pension	Supplemental Unemployment	Total Rate
1	50	\$31.21	\$11.49	\$22.31	\$0.00	\$65.01
2	60	\$37.45	\$11.49	\$22.31	\$0.00	\$71.25
3	70	\$43.69	\$11.49	\$22.31	\$0.00	\$77.49
4	80	\$49.94	\$11.49	\$22.31	\$0.00	\$83.74
5	90	\$56.18	\$11.49	\$22.31	\$0.00	\$89.98

Notes:

Apprentice to Journeyworker Ratio:1:5

TEST BORING DRILLER <i>LABORERS - FOUNDATION AND MARINE</i>	06/01/2023	\$47.58	\$9.40	\$17.97	\$0.00	\$74.95
	12/01/2023	\$48.83	\$9.40	\$17.97	\$0.00	\$76.20
	06/01/2024	\$50.31	\$9.40	\$17.97	\$0.00	\$77.68
	12/01/2024	\$51.78	\$9.40	\$17.97	\$0.00	\$79.15
	06/01/2025	\$53.28	\$9.40	\$17.97	\$0.00	\$80.65
	12/01/2025	\$54.78	\$9.40	\$17.97	\$0.00	\$82.15
	06/01/2026	\$56.33	\$9.40	\$17.97	\$0.00	\$83.70
	12/01/2026	\$57.83	\$9.40	\$17.97	\$0.00	\$85.20

For apprentice rates see "Apprentice- LABORER"

TEST BORING DRILLER HELPER <i>LABORERS - FOUNDATION AND MARINE</i>	06/01/2023	\$43.70	\$9.40	\$17.97	\$0.00	\$71.07
	12/01/2023	\$44.95	\$9.40	\$17.97	\$0.00	\$72.32
	06/01/2024	\$46.43	\$9.40	\$17.97	\$0.00	\$73.80
	12/01/2024	\$47.90	\$9.40	\$17.97	\$0.00	\$75.27
	06/01/2025	\$49.40	\$9.40	\$17.97	\$0.00	\$76.77
	12/01/2025	\$50.90	\$9.40	\$17.97	\$0.00	\$78.27
	06/01/2026	\$52.45	\$9.40	\$17.97	\$0.00	\$79.82
	12/01/2026	\$53.95	\$9.40	\$17.97	\$0.00	\$81.32

For apprentice rates see "Apprentice- LABORER"

Classification	Effective Date	Base Wage	Health	Pension	Supplemental Unemployment	Total Rate
TEST BORING LABORER <i>LABORERS - FOUNDATION AND MARINE</i>	06/01/2023	\$43.58	\$9.40	\$17.97	\$0.00	\$70.95
	12/01/2023	\$44.83	\$9.40	\$17.97	\$0.00	\$72.20
	06/01/2024	\$46.31	\$9.40	\$17.97	\$0.00	\$73.68
	12/01/2024	\$47.78	\$9.40	\$17.97	\$0.00	\$75.15
	06/01/2025	\$49.28	\$9.40	\$17.97	\$0.00	\$76.65
	12/01/2025	\$50.78	\$9.40	\$17.97	\$0.00	\$78.15
	06/01/2026	\$52.33	\$9.40	\$17.97	\$0.00	\$79.70
	12/01/2026	\$53.83	\$9.40	\$17.97	\$0.00	\$81.20
For apprentice rates see "Apprentice- LABORER"						
TRACTORS <i>OPERATING ENGINEERS LOCAL 98</i>	06/01/2023	\$37.72	\$13.58	\$15.10	\$0.00	\$66.40
	12/01/2023	\$38.67	\$13.58	\$15.10	\$0.00	\$67.35
For apprentice rates see "Apprentice- OPERATING ENGINEERS"						
TRAILERS FOR EARTH MOVING EQUIPMENT <i>TEAMSTERS JOINT COUNCIL NO. 10 ZONE B</i>	12/01/2021	\$36.82	\$13.41	\$16.01	\$0.00	\$66.24
TUNNEL WORK - COMPRESSED AIR <i>LABORERS (COMPRESSED AIR)</i>	06/01/2023	\$55.81	\$9.40	\$18.42	\$0.00	\$83.63
	12/01/2023	\$57.06	\$9.40	\$18.42	\$0.00	\$84.88
	06/01/2024	\$58.54	\$9.40	\$18.42	\$0.00	\$86.36
	12/01/2024	\$60.01	\$9.40	\$18.42	\$0.00	\$87.83
	06/01/2025	\$61.51	\$9.40	\$18.42	\$0.00	\$89.33
	12/01/2025	\$63.01	\$9.40	\$18.42	\$0.00	\$90.83
	06/01/2026	\$64.56	\$9.40	\$18.42	\$0.00	\$92.38
	12/01/2026	\$66.06	\$9.40	\$18.42	\$0.00	\$93.88
For apprentice rates see "Apprentice- LABORER"						
TUNNEL WORK - COMPRESSED AIR (HAZ. WASTE) <i>LABORERS (COMPRESSED AIR)</i>	06/01/2023	\$57.81	\$9.40	\$18.42	\$0.00	\$85.63
	12/01/2023	\$59.06	\$9.40	\$18.42	\$0.00	\$86.88
	06/01/2024	\$60.54	\$9.40	\$18.42	\$0.00	\$88.36
	12/01/2024	\$62.01	\$9.40	\$18.42	\$0.00	\$89.83
	06/01/2025	\$63.51	\$9.40	\$18.42	\$0.00	\$91.33
	12/01/2025	\$65.01	\$9.40	\$18.42	\$0.00	\$92.83
	06/01/2026	\$66.56	\$9.40	\$18.42	\$0.00	\$94.38
	12/01/2026	\$68.06	\$9.40	\$18.42	\$0.00	\$95.88
For apprentice rates see "Apprentice- LABORER"						
TUNNEL WORK - FREE AIR <i>LABORERS (FREE AIR TUNNEL)</i>	06/01/2023	\$47.88	\$9.40	\$18.42	\$0.00	\$75.70
	12/01/2023	\$49.13	\$9.40	\$18.42	\$0.00	\$76.95
	06/01/2024	\$50.61	\$9.40	\$18.42	\$0.00	\$78.43
	12/01/2024	\$52.08	\$9.40	\$18.42	\$0.00	\$79.90
	06/01/2025	\$53.58	\$9.40	\$18.42	\$0.00	\$81.40
	12/01/2025	\$55.08	\$9.40	\$18.42	\$0.00	\$82.90
	06/01/2026	\$56.63	\$9.40	\$18.42	\$0.00	\$84.45
	12/01/2026	\$58.13	\$9.40	\$18.42	\$0.00	\$85.95
For apprentice rates see "Apprentice- LABORER"						

Classification	Effective Date	Base Wage	Health	Pension	Supplemental Unemployment	Total Rate
TUNNEL WORK - FREE AIR (HAZ. WASTE) <i>LABORERS (FREE AIR TUNNEL)</i>	06/01/2023	\$49.88	\$9.40	\$18.42	\$0.00	\$77.70
	12/01/2023	\$51.13	\$9.40	\$18.42	\$0.00	\$78.95
	06/01/2024	\$52.61	\$9.40	\$18.42	\$0.00	\$80.43
	12/01/2024	\$54.08	\$9.40	\$18.42	\$0.00	\$81.90
	06/01/2025	\$55.58	\$9.40	\$18.42	\$0.00	\$83.40
	12/01/2025	\$57.08	\$9.40	\$18.42	\$0.00	\$84.90
	06/01/2026	\$58.63	\$9.40	\$18.42	\$0.00	\$86.45
	12/01/2026	\$60.13	\$9.40	\$18.42	\$0.00	\$87.95
For apprentice rates see "Apprentice- LABORER"						
VAC-HAUL <i>TEAMSTERS JOINT COUNCIL NO. 10 ZONE B</i>	12/01/2021	\$36.24	\$13.41	\$16.01	\$0.00	\$65.66
WAGON DRILL OPERATOR <i>LABORERS - ZONE 3 (BUILDING & SITE)</i>	06/01/2023	\$33.75	\$9.40	\$16.59	\$0.00	\$59.74
	12/01/2023	\$34.38	\$9.40	\$16.59	\$0.00	\$60.37
For apprentice rates see "Apprentice- LABORER"						
WAGON DRILL OPERATOR (HEAVY & HIGHWAY) <i>LABORERS - ZONE 3 (HEAVY & HIGHWAY)</i>	06/01/2023	\$33.75	\$9.40	\$14.53	\$0.00	\$57.68
	12/01/2023	\$34.38	\$9.40	\$14.53	\$0.00	\$58.31
	06/01/2024	\$35.58	\$9.40	\$14.53	\$0.00	\$59.51
	12/01/2024	\$36.78	\$9.40	\$14.53	\$0.00	\$60.71
	06/01/2025	\$38.03	\$9.40	\$14.53	\$0.00	\$61.96
	12/01/2025	\$39.27	\$9.40	\$14.53	\$0.00	\$63.20
	06/01/2026	\$40.57	\$9.40	\$14.53	\$0.00	\$64.50
	12/01/2026	\$41.86	\$9.40	\$14.53	\$0.00	\$65.79
For apprentice rates see "Apprentice- LABORER (Heavy and Highway)"						
WATER METER INSTALLER <i>PLUMBERS & PIPEFITTERS LOCAL 104</i>	03/17/2023	\$46.96	\$9.55	\$17.10	\$0.00	\$73.61
	09/17/2023	\$47.96	\$9.55	\$17.10	\$0.00	\$74.61
	03/17/2024	\$49.21	\$9.55	\$17.10	\$0.00	\$75.86
For apprentice rates see "Apprentice- PLUMBER/PIPEFITTER" or "PLUMBER/GASFITTER"						

Additional Apprentice Information:

Minimum wage rates for apprentices employed on public works projects are listed above as a percentage of the pre-determined hourly wage rate established by the Commissioner under the provisions of the M.G.L. c. 149, ss. 26-27D. Apprentice ratios are established by the Division of Apprenticeship Training pursuant to M.G.L. c. 23, ss. 11E-11L.

All apprentices must be registered with the Division of Apprenticeship Training in accordance with M.G.L. c. 23, ss. 11E-11L.

All steps are six months (1000 hours.)

Ratios are expressed in allowable number of apprentices to journeymen or fraction thereof, unless otherwise specified.

** Multiple ratios are listed in the comment field.

*** APP to JM; 1:1, 2:2, 2:3, 3:4, 4:4, 4:5, 4:6, 5:7, 6:7, 6:8, 6:9, 7:10, 8:10, 8:11, 8:12, 9:13, 10:13, 10:14, etc.

**** APP to JM; 1:1, 1:2, 2:3, 2:4, 3:5, 4:6, 4:7, 5:8, 6:9, 6:10, 7:11, 8:12, 8:13, 9:14, 10:15, 10:16, etc.

APPENDIX B
PAVING LIST

CITY OF GREENFIELD

2023 PAVING PROGRAM

<u>STREET</u>	<u>FROM</u>	<u>TO</u>	<u>MILLING DEPTH</u>
<u>STREETS TO BE MILLED</u>			
ALDEN ST.			1.5"
CANADA HILL			1.5"
COLUMBUS AVE.	GROVE ST.	ALLEN ST.	1.5"
CONWAY ST.	ALLEN ST.	SILVER ST.	1.5"
DUREN DR.			1.5"
FRENCH KING HWY.	SILVER ST.	ENT. TO STOP & SHOP	1.5"
GROVE ST.	ELM ST.	CONWAY ST.	1.5"
GROVE ST.	CONWAY ST.	WELLS ST.	1.5"
LEYDEN RD.	SILVER ST.	145' NORTH OF I91	1.5"
MINER ST.	SHELBURNE RD.	#17	1.5"
NORWOOD ST.	FEDERAL ST.	DAVIS ST.	1.5"
NORWOOD ST.	DAVIS ST.	CHAPMAN ST.	1.5"
SHELBURNE RD. EAST	NEWTON SCHOOL	WEST TO END	1.5"
SUNSET SQ.			1.5"
THAYER RD. EXT.			1.5"
WOODARD RD.	SHELBURNE RD.	#26	1.5"
WUNSCH RD.			1.5"

1.25" HMA OVERLAY

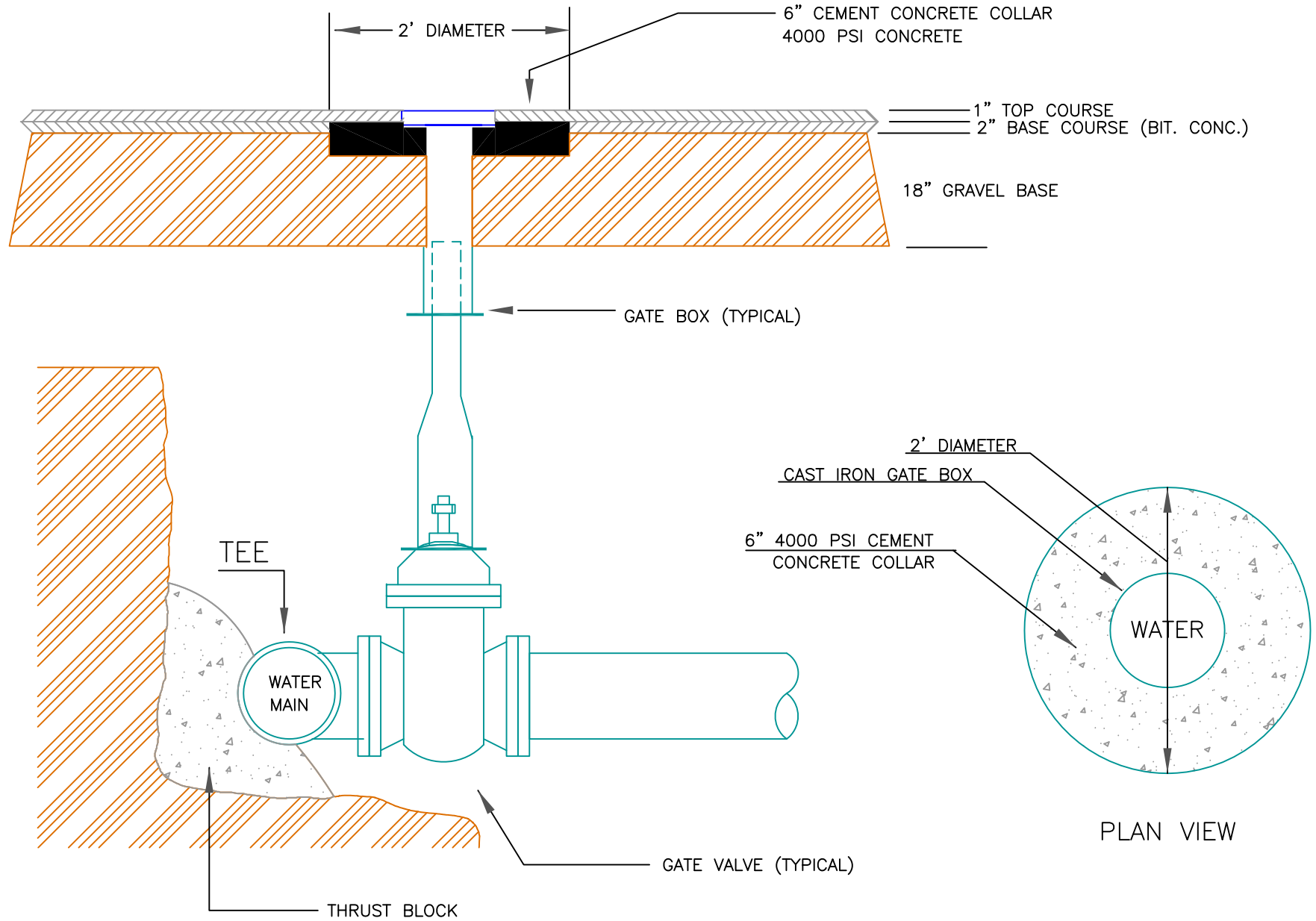
SILVER CREST

1.5" HMA OVERLAY

ALDEN ST.		
BARTON RD.	DRIVEWAY TO #345	1800' EAST
CANADA HILL		
COLUMBUS AVE.	GROVE ST.	ALLEN ST.
CONWAY ST.	ALLEN ST.	SILVER ST.
DUREN DR.		
EUNICE WILLIAMS DR.	GREEN RIVER RD.	COVERED BRIDGE
EUNICE WILLIAMS DR.	LEYDEN RD.	ENTRANCE TO PUMP HOUSE
FRENCH KING HWY.	SILVER ST.	ENT. TO STOP & SHOP
GROVE ST.	ELM ST.	CONWAY ST.
GROVE ST.	CONWAY ST.	WELLS ST.
LEYDEN RD.	SILVER ST.	145' NORTH OF I91
MINER ST.	SHELBURNE RD.	#17
NORWOOD ST.	FEDERAL ST.	DAVIS ST.
NORWOOD ST.	DAVIS ST.	CHAPMAN ST.
SHELBURNE RD. EAST	NEWTON SCHOOL	WEST TO END

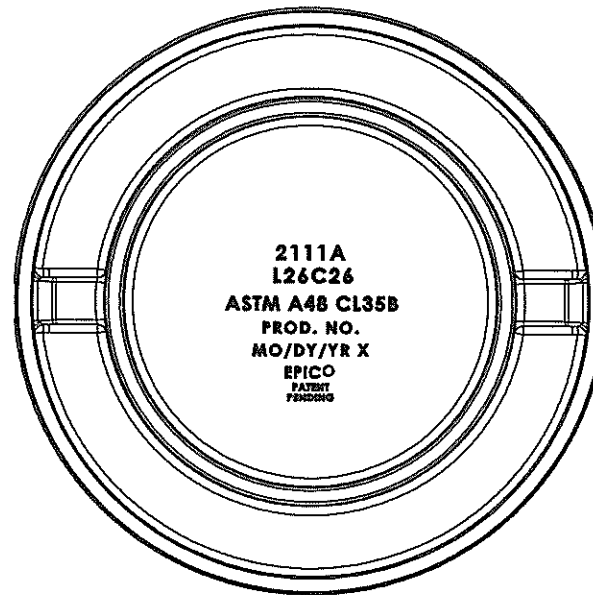
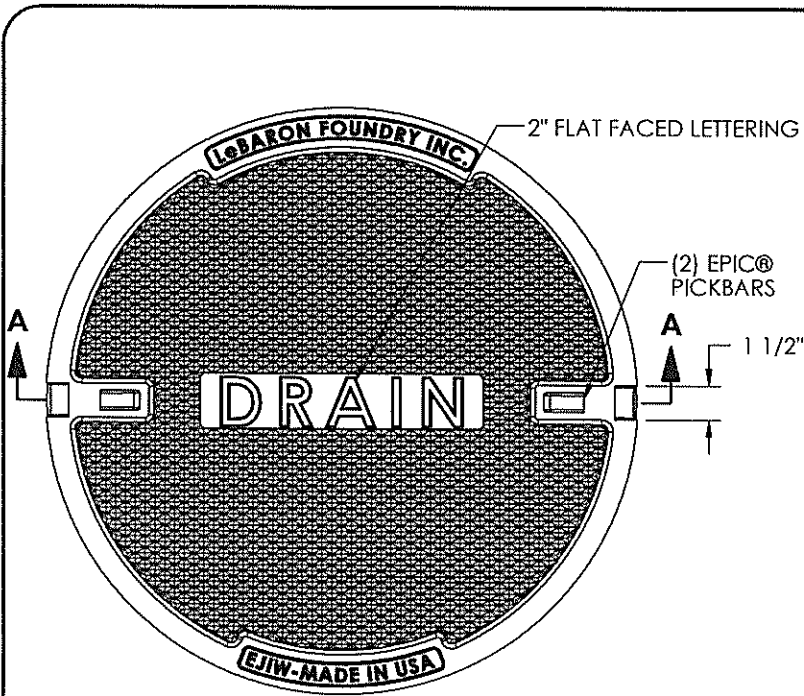
STREET	FROM	TO
SUNSET SQ.		
THAYER RD. EXT.		
WILLOW ST.		
WOODARD RD.	SHELBURNE RD.	#26
WUNSCH RD.		

APPENDIX C
DETAIL SHEETS FOR CASTINGS

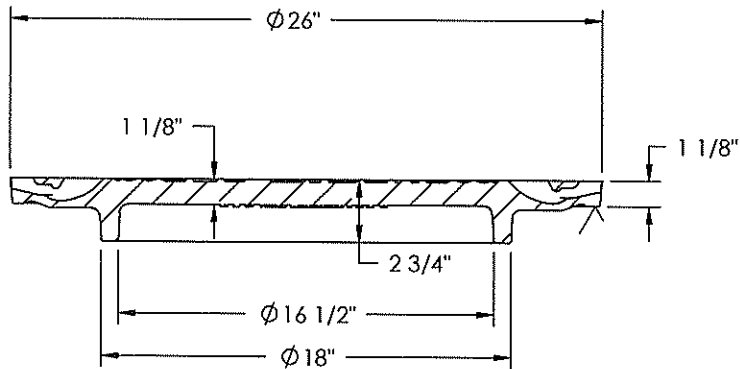


CONCRETE COLLAR FOR GATE BOXES

TYPICAL DETAILS



BOTTOM VIEW



SECTION A-A

CONFIDENTIAL: This drawing is the property of East Jordan Iron Works, Inc. and embodies confidential information, trade secret information, and/or know how that is the property of East Jordan Iron Works, Inc. © Copyright 2008 East Jordan Iron Works, Inc.

EJIW EAST JORDAN
IRON WORKS EST. 1883

800-626-4653

www.ejiw.com

MADE IN USA

PRODUCT NUMBER

00211125

CATALOG NUMBER

2111A

COVER

LOAD RATING

HEAVY DUTY

COATING

UNDIPPED

SPECIFICATION

GRAY IRON

ASTM A48 CL35B

OPEN AREA

N/A

√ DESIGNATES
MACHINED SURFACE

DRAWN

JIJ

DATE

07/22/08

LAST REVISED

JIJ

DATE

11/17/09

EJIW EAST JORDAN
IRON WORKS EST. 1883

800-626-4653

www.ejiw.com

MADE IN USA

PRODUCT NUMBER

00226611

CATALOG NUMBER

2266Z

FRAME

LOAD RATING

HEAVY DUTY

COATING

UNDIPPED

SPECIFICATION

FRAME-GRAY IRON
ASTM A48 CL35B

OPEN AREA
N/A

√ DESIGNATES
MACHINED SURFACE

DRAWN

DEW

DATE

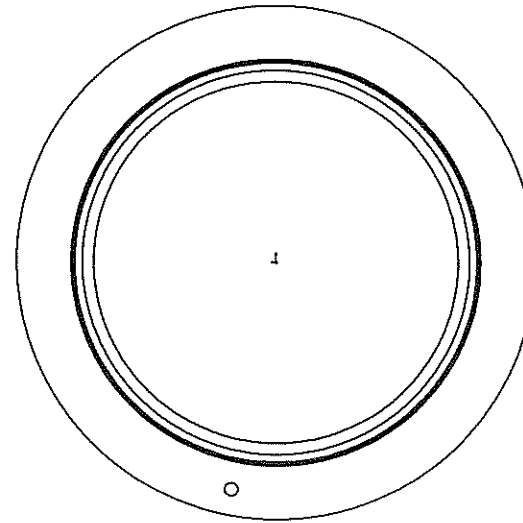
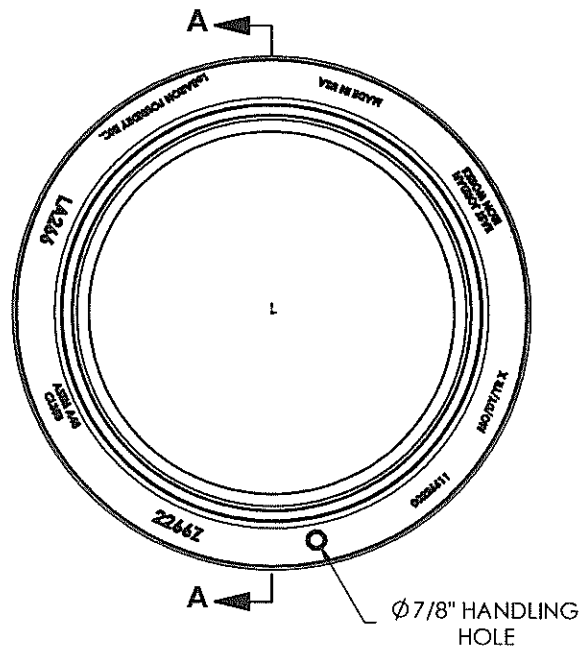
3/17/2009

LAST REVISED

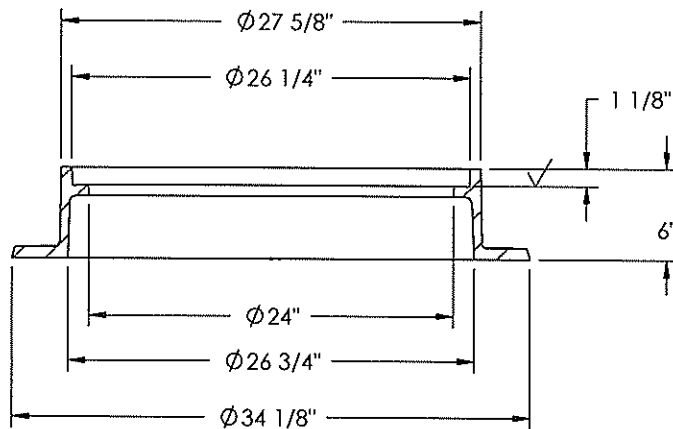
DEW

DATE

9/1/2009

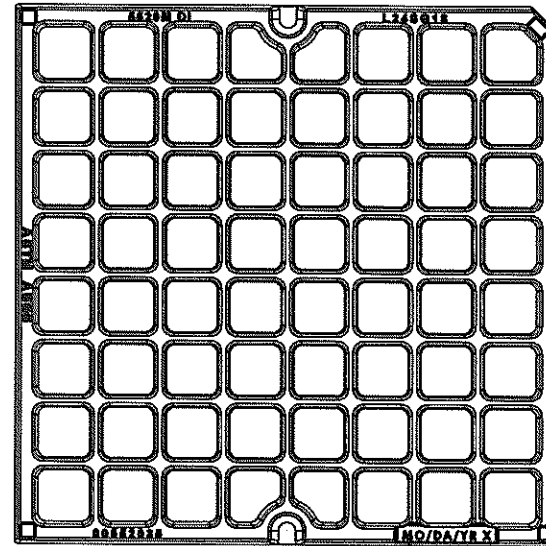
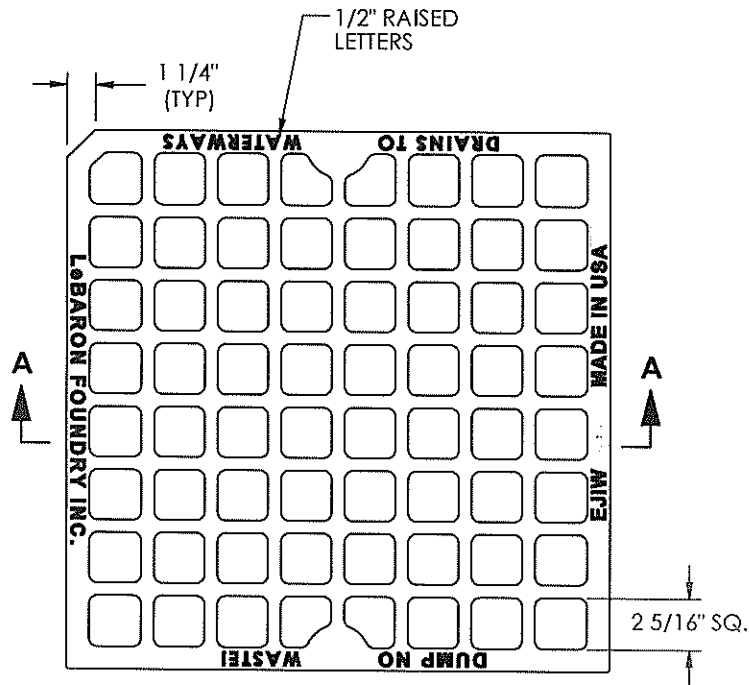


BOTTOM VIEW

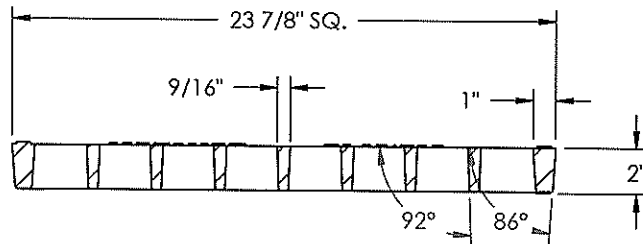


SECTION A-A

CONFIDENTIAL: This drawing is the property of East Jordan Iron Works, Inc. and embodies confidential information, trade secret information, and/or know how that is the property of East Jordan Iron Works, Inc. © Copyright 2009 East Jordan Iron Works, Inc.



BOTTOM VIEW



SECTION A-A

CONFIDENTIAL: This drawing is the property of East Jordan Iron Works, Inc. and embodies confidential information, trade secret information, and/or know how that is the property of East Jordan Iron Works, Inc. © Copyright 2008 East Jordan Iron Works, Inc.

EJIW EAST JORDAN

800-626-4653

www.ejiw.com

MADE IN USA

PRODUCT NUMBER

00552035

CATALOG NUMBER

5520M DI

GRATE

LOAD RATING

HEAVY DUTY

COATING

UNDIPPED

SPECIFICATION

**GRATE - DUCTILE IRON
ASTM A536**

OPEN AREA

309

DESIGNATES
MACHINED SURFACE

DRAWN

DATE

TWR

4/10/2008

LAST REVISED

DATE

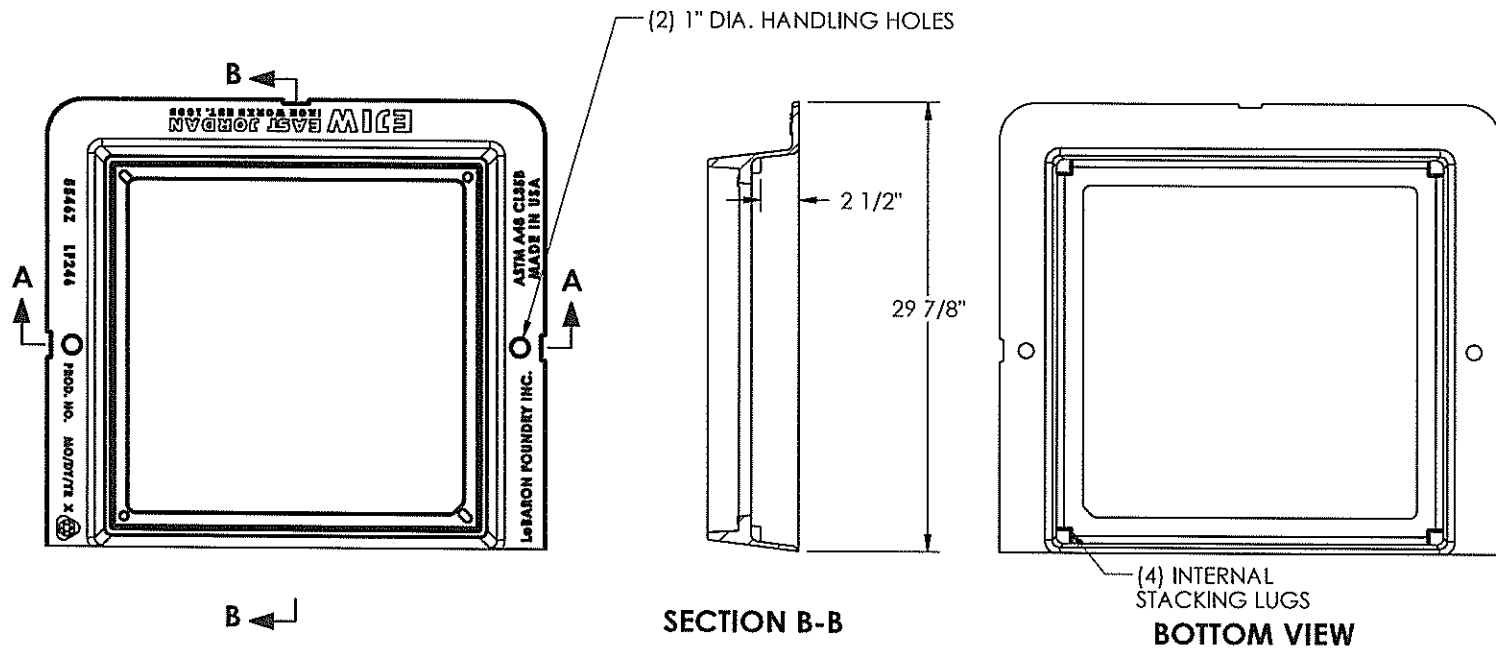
ALP

1/22/2009

REFERENCE INFORMATION

00552035.1C

00552035.1D



EJIW EAST JORDAN
IRON WORKS EST. 1883

800-626-4653

www.ejiw.com

MADE IN USA

PRODUCT NUMBER

00554613

CATALOG NUMBER

5546Z

FRAME

LOAD RATING

HEAVY DUTY

COATING

UNDIPPED

SPECIFICATION

GRAY IRON
ASTM A48 CL35B

OPEN AREA

N/A

√ DESIGNATES
MACHINED SURFACE

DRAWN

DATE

JIJ

07/10/08

LAST REVISED

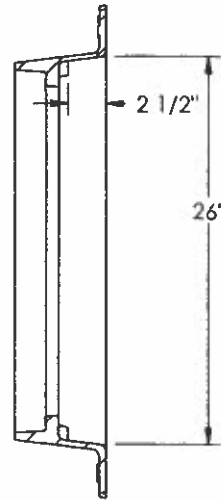
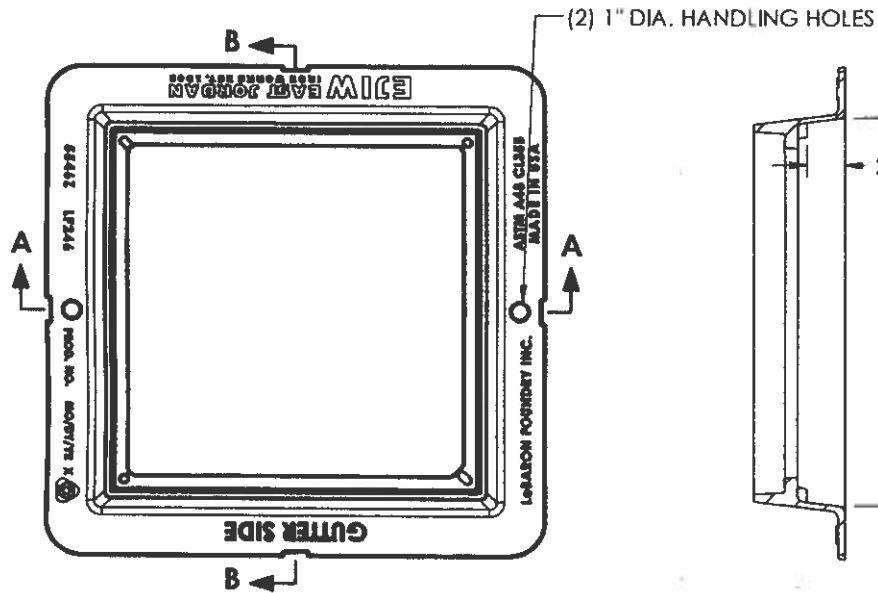
DATE

DEW

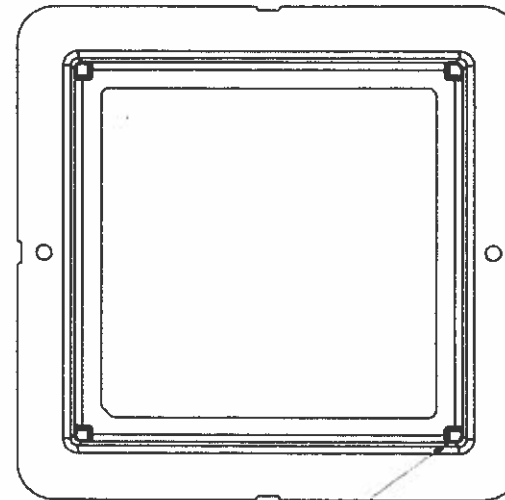
05/27/09

CONFIDENTIAL: This drawing is the property of East Jordan Iron Works, Inc. and embodies confidential information, trade secret information, and/or know how that is the property of East Jordan Iron Works, Inc. © Copyright 2008 East Jordan Iron Works, Inc.

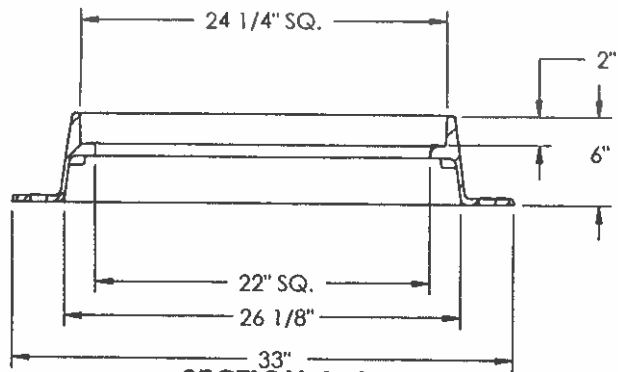
5546Z FLG4 FRAME



SECTION B-B



BOTTOM VIEW



SECTION A-A

PRODUCT NUMBER

00554611

DESIGN FEATURES

MATERIALS
FRAME-GRAY IRON
ASTM A48 CL35B

DESIGN LOAD
HEAVY DUTY

COATING
UNDIPPED

OPEN AREA

✓ DESIGNATES MACHINE SURFACE

Corporate
Headquarters
301 Spring Street
PO Box 439
East Jordan, MI
49727-0439
800.874.4100

EJ GROUP

Call today for
More Information

800.626.4653

EJIW EAST JORDAN
IRON WORKS, INC. 1904
WE COVER YOUR INFRASTRUCTURE

www.ejiw.com
MADE IN THE USA

DRAWING DETAILS

ORIGINAL DRAWING: J1J 7/10/2008

REVISED BY: DEW 3/30/2011

•Weights (lbs./kg.) dimensions (inches/mm.), and drawings provided for your guidance.
•We reserve the right to modify specifications without prior notice.
•Uncontrolled distribution.

CONFIDENTIAL: This drawing is the property of East Jordan Iron Works, Inc., and embodies confidential information, registered marks, trade secret information, and/or know how that is the property of East Jordan Iron Works, Inc. ©Copyright 2009 East Jordan Iron Works, Inc.