

#22-05

JAN 18 2022

SIGN PERMIT APPLICATION

RECEIVED

Project Name: Pinkie's Nail
 Project Street Address: 777 White Plains Road, Eastchester, NY 10583
 Section: _____ Block: _____ Lot(s): _____ Zone: _____

(Section, Block and Lot and Zoning District information MUST be completed by the applicant)

Owner: _____

Address: _____

Phone #: _____ Email: _____

Lessee: Pinkie's Nail

Address: 144-47 27th Ave Flushing, NY 11354

Phone #: 646-384-5398 Email: huzhongzhong880213@gmail.com

Sign Company: Miles glass & Metal sign corp. Contact Name Hang Zhang

Address: 131-51 41 Ave Flushing NY 11351

Phone #: 718-762-5553 Email: miles2536@gmail.com

* Is lighting being proposed? Yes No If "YES", is lighting New or Existing

* If lighting is "Existing", is the existing lighting/electrical being altered? Yes No

* **Please Note** * If proposed lighting is "New" or being "Altered", a separate **Electrical Permit** is required.

APPLICATION CHECKLIST

Submission Items	Check Box
Completed Sign Application and Application Checklist	
Design/construction details of each proposed sign/awning at a legible and measurable scale showing: <ul style="list-style-type: none"> <input type="checkbox"/> Proposed lettering, colors and graphics <input type="checkbox"/> All proposed dimensions (sign height, length and thickness; letter heights and widths; etc.) <input type="checkbox"/> Construction details (including, but not necessarily limited to, how the sign will be attached to a building facade or anchored to the ground) 	
Building elevations and/or photo simulations showing the location of all proposed signs/awnings and proposed lighting (and, where applicable, all existing signs proposed to remain), including: <ul style="list-style-type: none"> <input type="checkbox"/> The dimension of the storefront on which the sign will be located. (Measured from the outside edge of the exterior building walls or from the center line of shared walls. Note that proposed wall signs may not exceed 75% of the length of the storefront) <input type="checkbox"/> The dimension of the sign above the sidewalk or ground plane. <input type="checkbox"/> The type and location of proposed lighting fixtures. 	
For free standing signs, a site plan showing: <ul style="list-style-type: none"> <input type="checkbox"/> The proposed location of the free-standing sign. (Note that free-standing signs must be located within the property lines and may not be located within or overhanging a public right-of-way). <input type="checkbox"/> Proposed landscaping, if applicable. <input type="checkbox"/> The type and location of proposed lighting, if applicable. 	
Physical samples of proposed colors and materials. (If possible, provide fabric and color sample swatches with each application; Bring samples to the Sign Review meeting).	
Catalogue cut sheets of proposed lighting fixtures	
Color photographs of the existing building/premises, showing existing conditions, and adjacent properties a minimum of 100 feet to the left and right and on the opposite side of the road. (Black and white or unclear photographs will not be accepted.)	
If the proposed signs/awnings do not conform to all requirements of the Sign Law, the applicant <u>MUST</u> provide drawings which show fully conforming signs for comparison by the ARB, including: (1) dimensioned drawings of the conforming signs; and (2) building elevations or photo simulations showing the conforming signs.	

AFFIDAVIT OF OWNERSHIP

State of ~~New York~~ Connecticut)
County of ~~Westchester~~ Fairfield) SS: Greenwich

I, Andrew Albrecht, being duly sworn, deposes and says:
(clearly print first and last name of property owner)

(check appropriate box)

- I am the owner of the property for which this application is being submitted.
- I am an officer of the corporation that owns the property for which this application is being submitted.

Further (check applicable box):

- I am submitting this application on my own behalf.
- I am authorizing the following individual to submit this application on my behalf:

MILES GLASS & METAL SIGN CORP
(clearly print name of individual authorized to submit this application)

Further:

To the best of my knowledge, information and belief, all statements contained in this application are true, complete and correct, and all work will be performed in the manner set forth in the application and in the plans and specifications filed therewith, and in accordance will all applicable laws, ordinances and regulations.

Vrstadt Biddle Properties Inc.

[Signature]
(Signature of Owner)

Andrew Albrecht, VP.
(Print Name of Owner)

Sworn to before me this 19th day of November, 2020

[Signature]
(Signature of Notary Public)

JOANNE PHILLIPS
NOTARY PUBLIC
STATE OF CONNECTICUT
MY COMMISSION EXPIRES 11/30/2025





16'9"

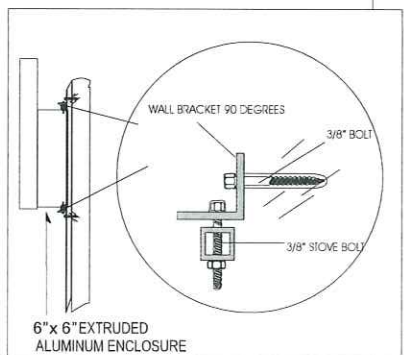


A

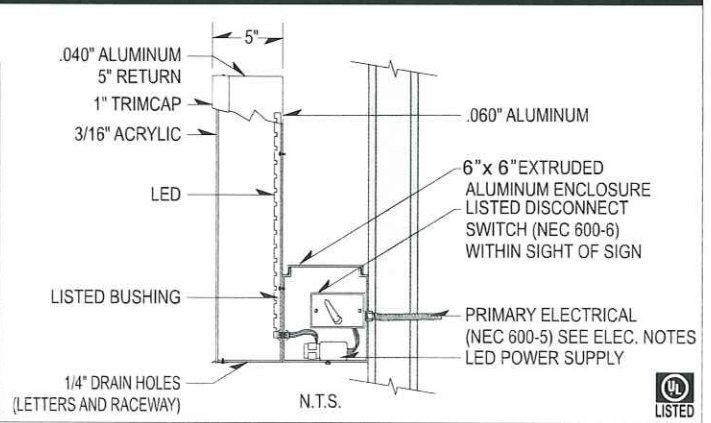
Front-Lit, Plex-Face Channel Letters w/ LED, Raceway Mounted • Front View

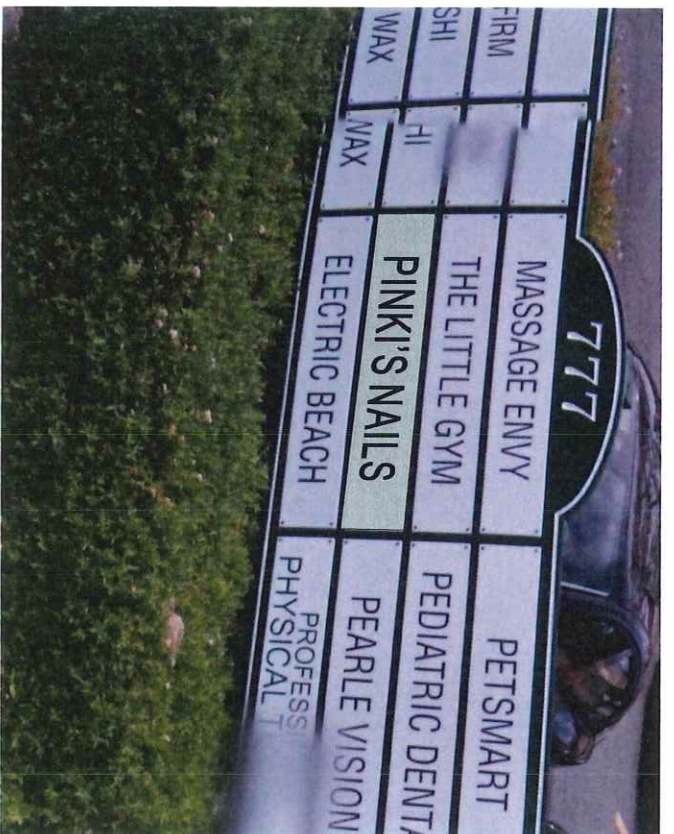
INTERNALLY ILLUMINATED PLASTIC FACE CHANNEL LETTERS

- QUANTITY: ONE (2)**
- Overall Height: 1'6"**
- Overall Length: 12'**
- Total Sq.Ft.: 18 ft²**
- Returns: Black**
- Backs: white**
- Trimcap: Black**
- Face: White**
- Raceway: Match Wall Color**
- Illumination: LED COLOR**



CHANNEL LETTER - TYPICAL SECTION - FRONT-LIT PLASTIC FACE





Massage Envy
PINKI'S NAILS

PINKI'S NAILS

REPLACE VINYL STICKER ONLY

37 1/4"

Fabricate & Install
Double Side 1" Thick Pvc Sign With Machine Routed
Graphics & Broader