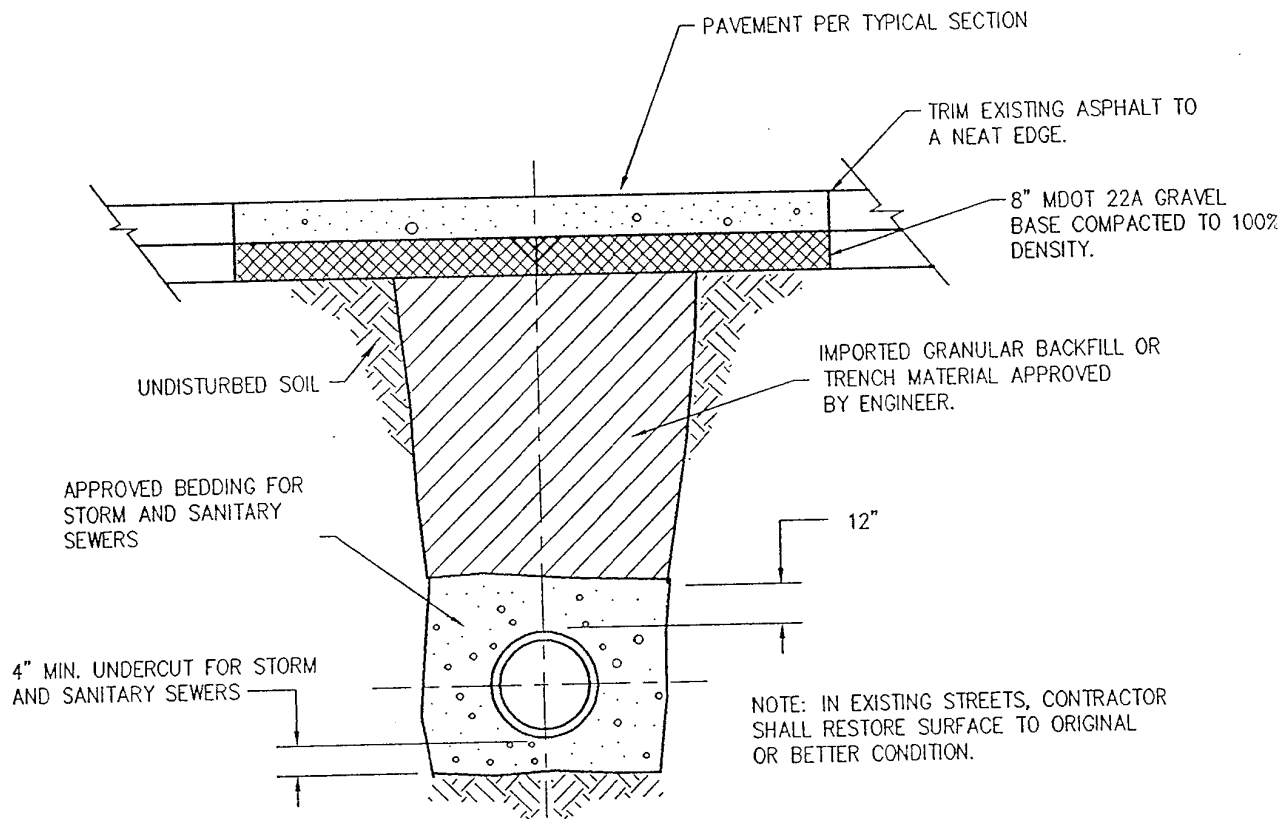


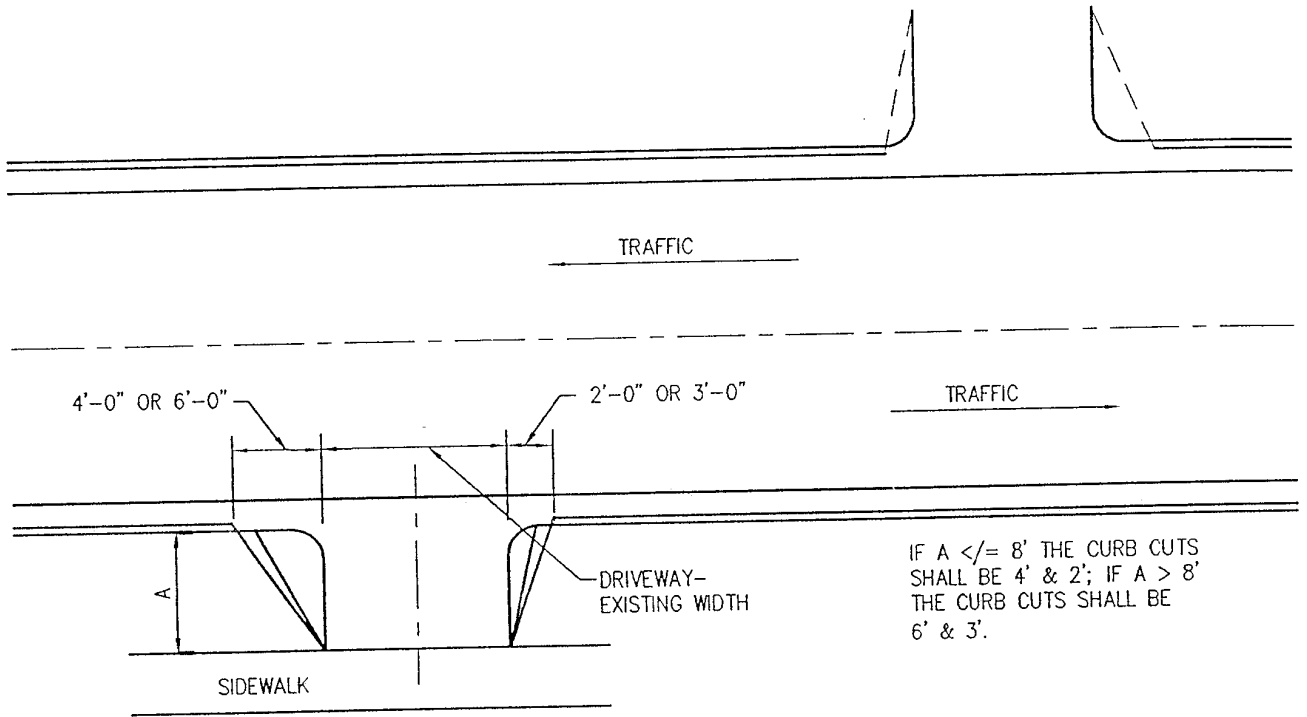
NORMAL TRENCH BACKFILL

NO SCALE



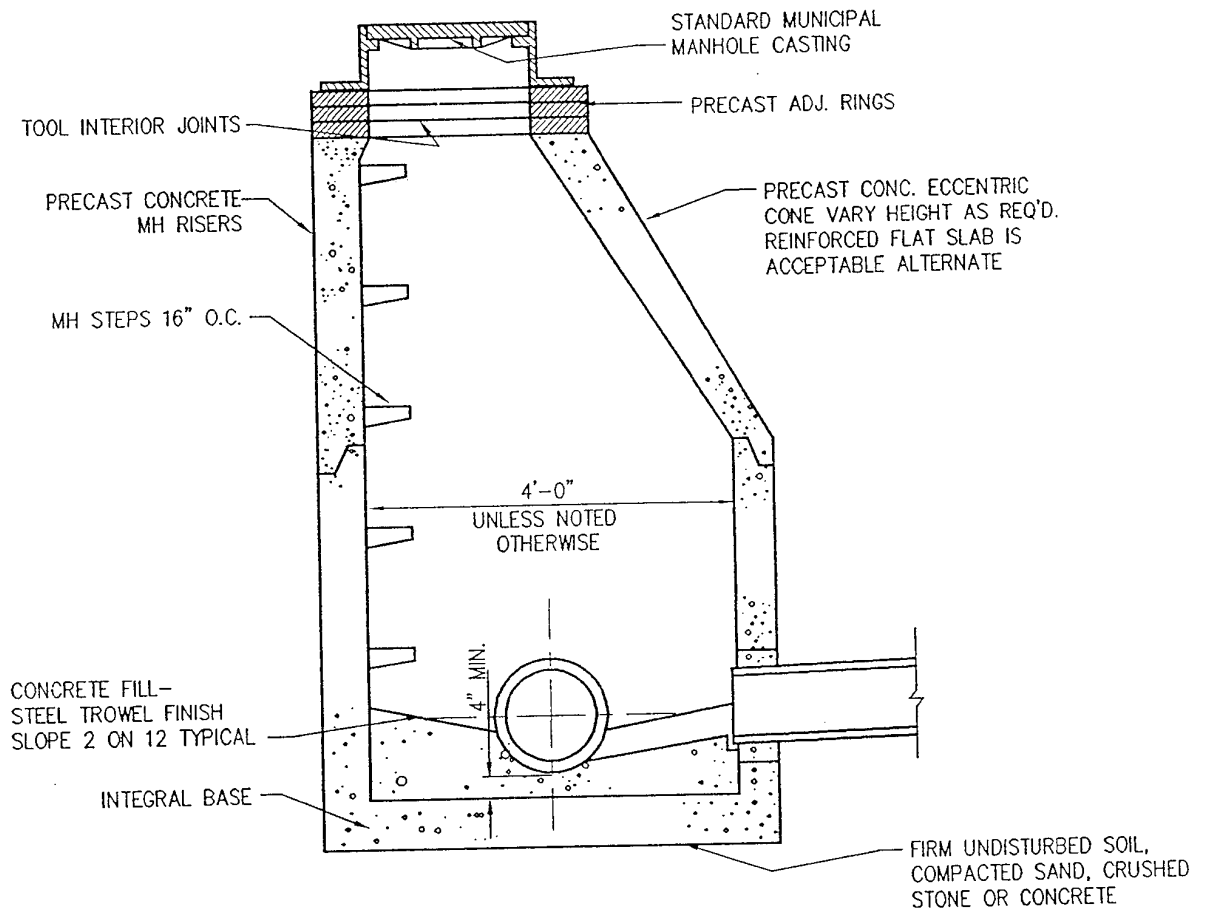
TRENCH BACKFILL UNDER ROADWAY

NO SCALE



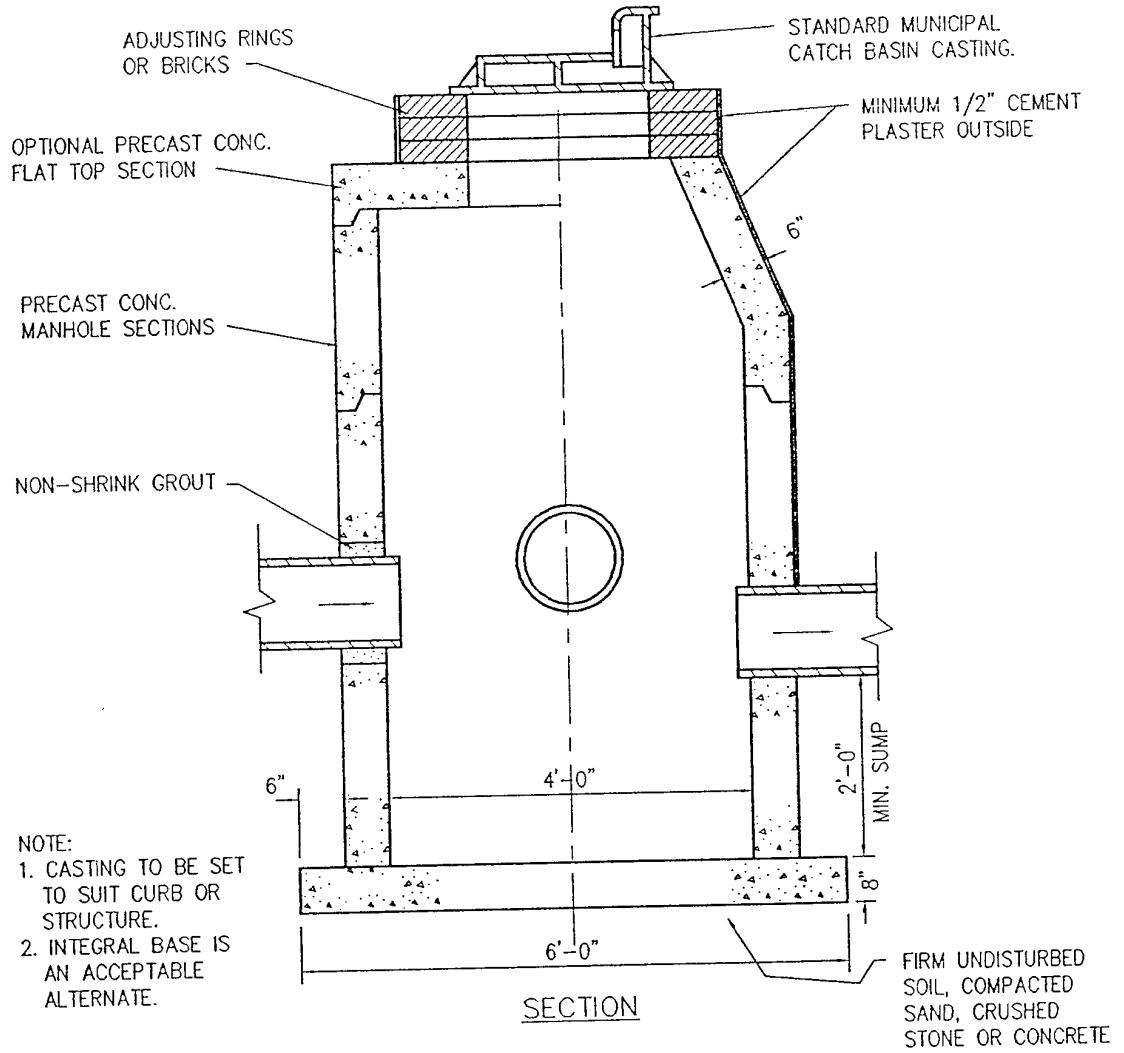
TYPICAL CURB BREAKS

NO SCALE



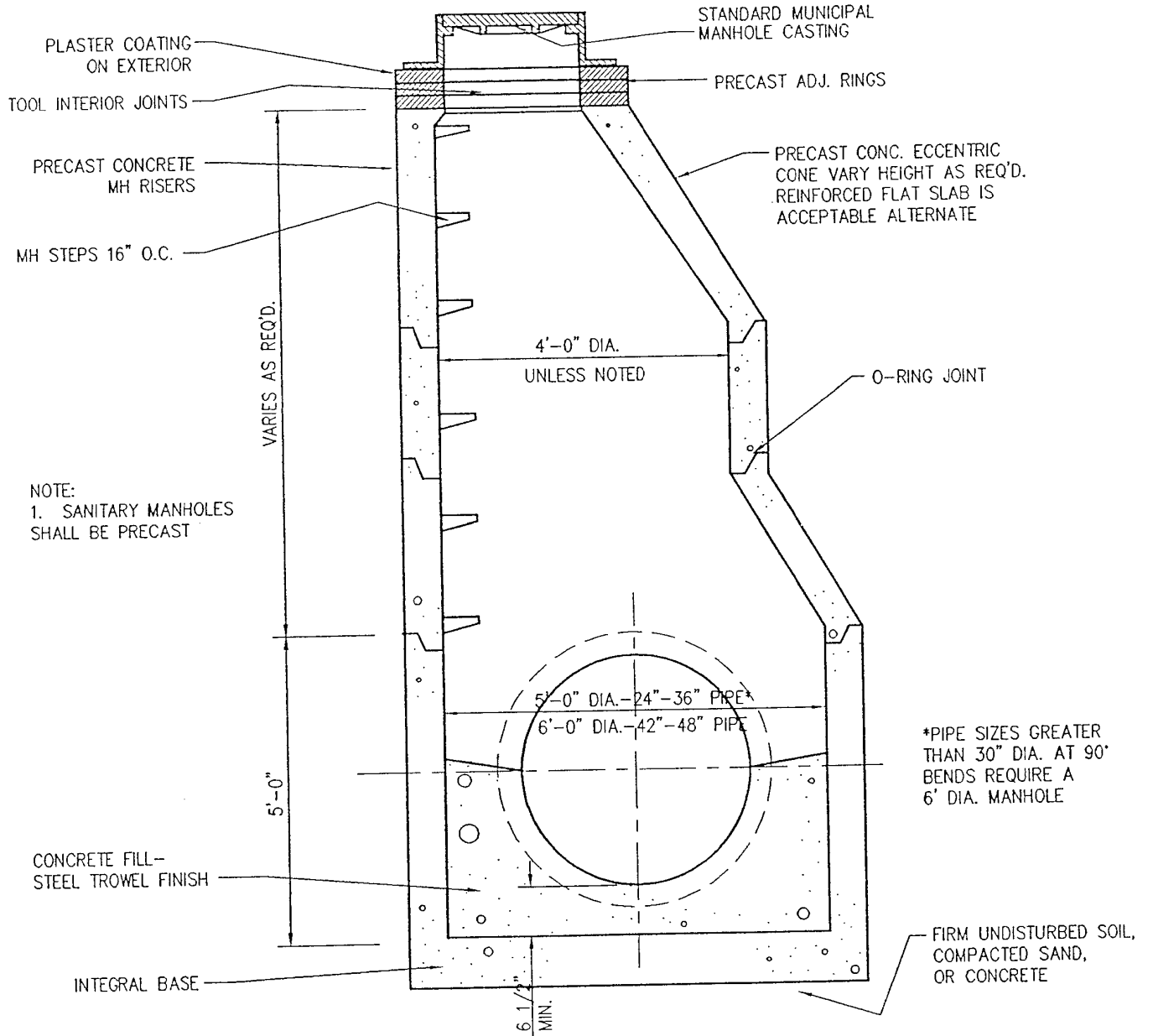
STANDARD STORM MANHOLE

NO SCALE



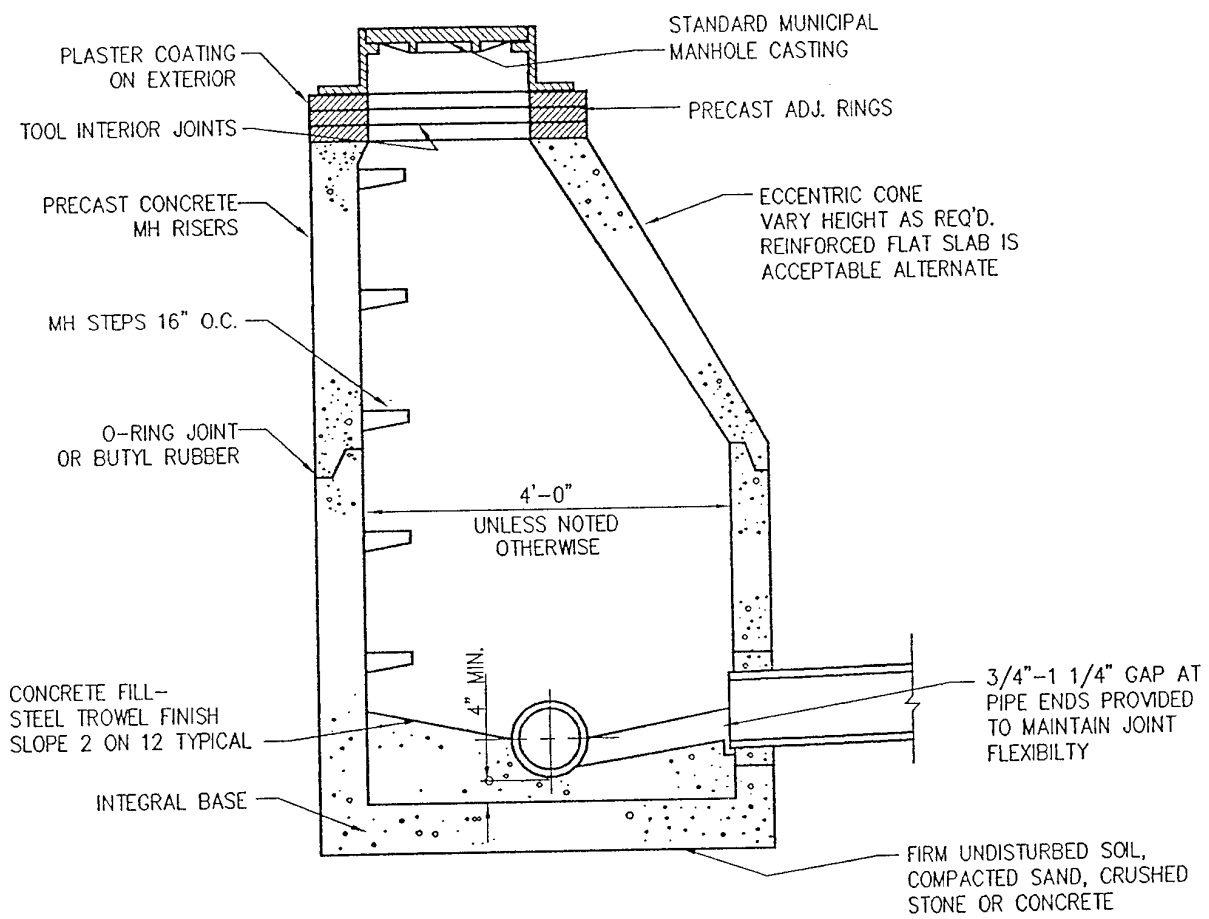
STANDARD CATCH BASIN

NO SCALE



STANDARD MANHOLE - 24" TO 48" PIPE

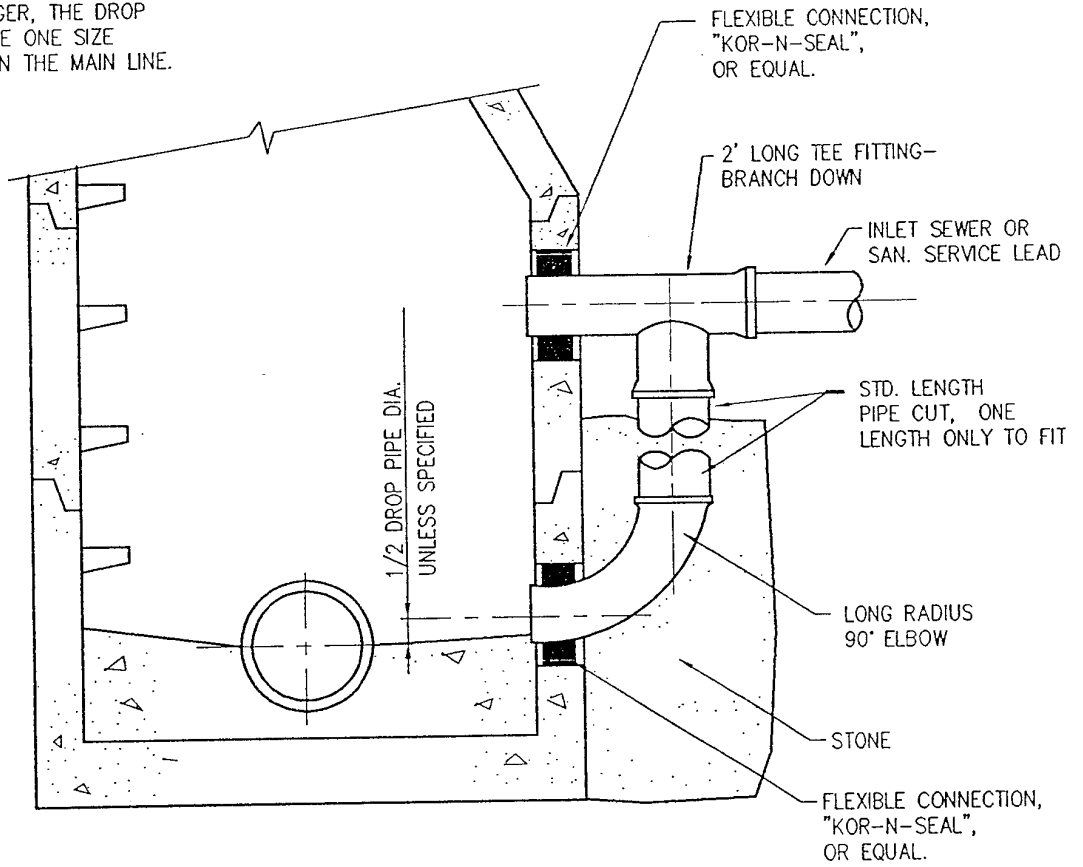
NO SCALE



STANDARD SANITARY MANHOLE

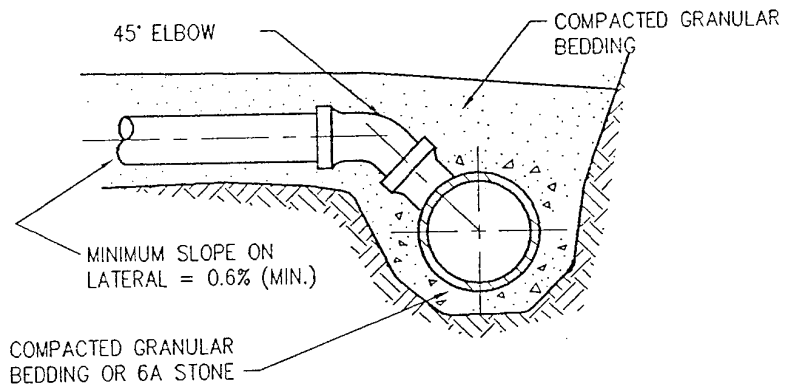
NO SCALE

NOTE:
 FOR 8" DIA. SEWERS WITH DROP
 CONNECTION, THE DROP PIPE
 SHALL BE 8" DIA. FOR SEWERS
 10" AND LARGER, THE DROP
 PIPE SHALL BE ONE SIZE
 SMALLER THAN THE MAIN LINE.

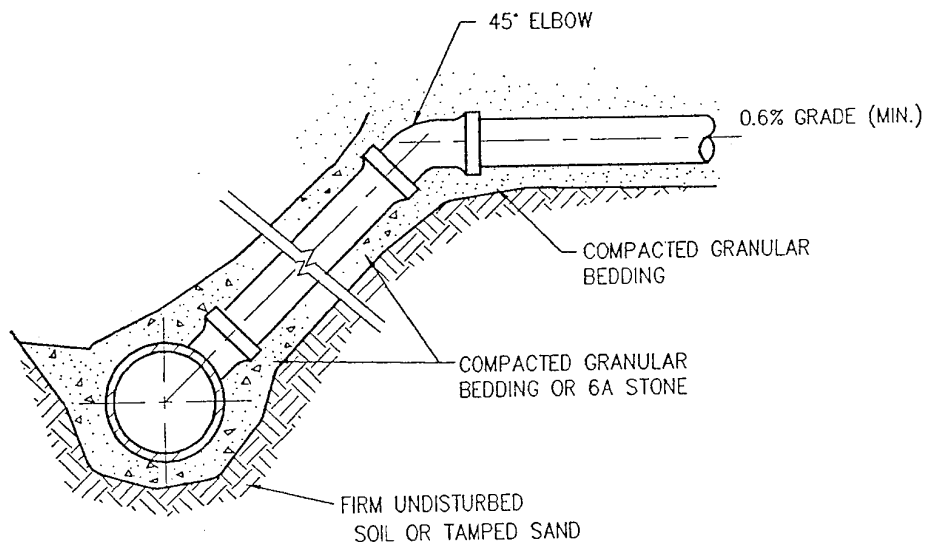


STANDARD DROP PIPE DETAIL

NO SCALE



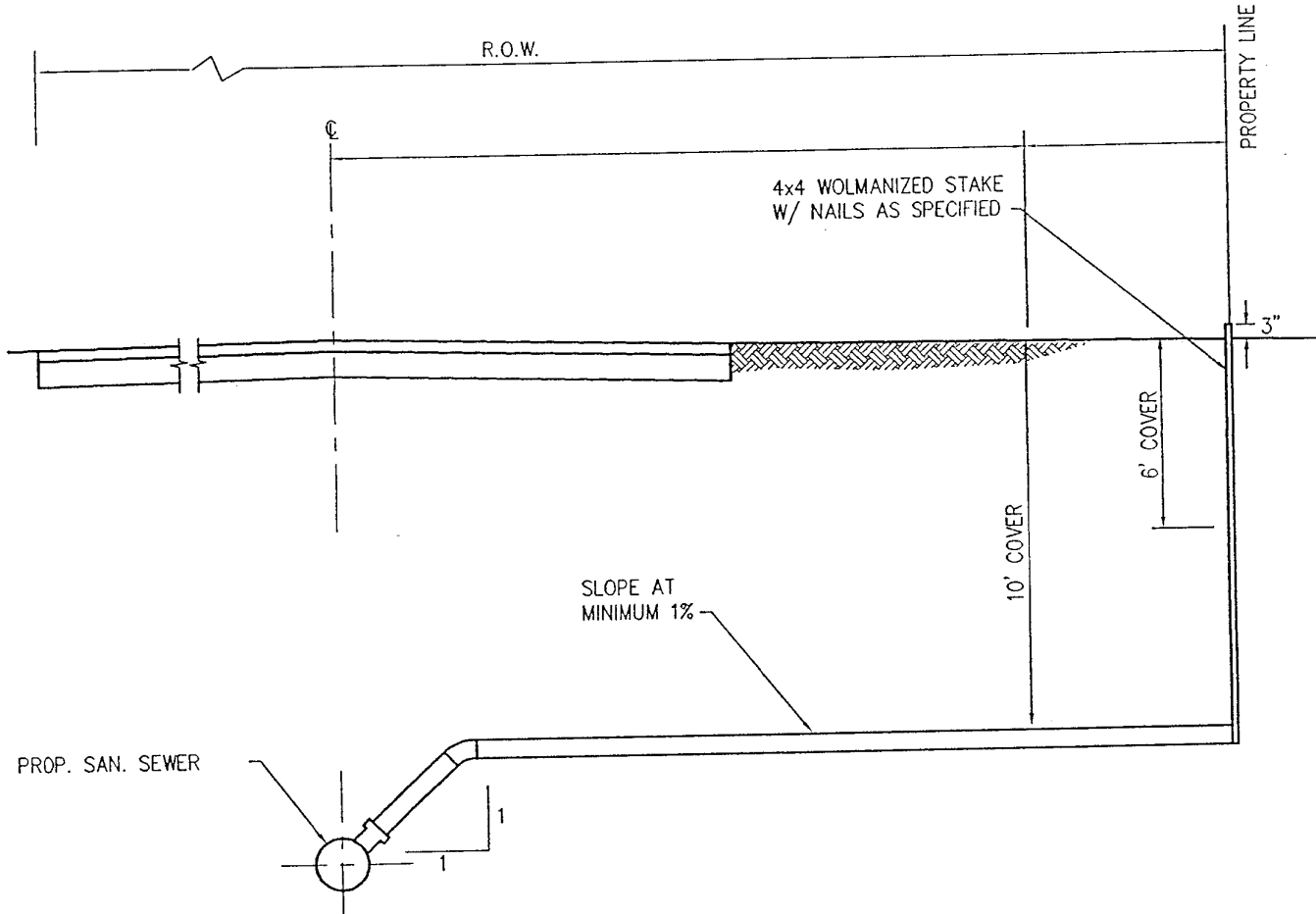
HORIZONTAL CONNECTION



VERTICAL RISER

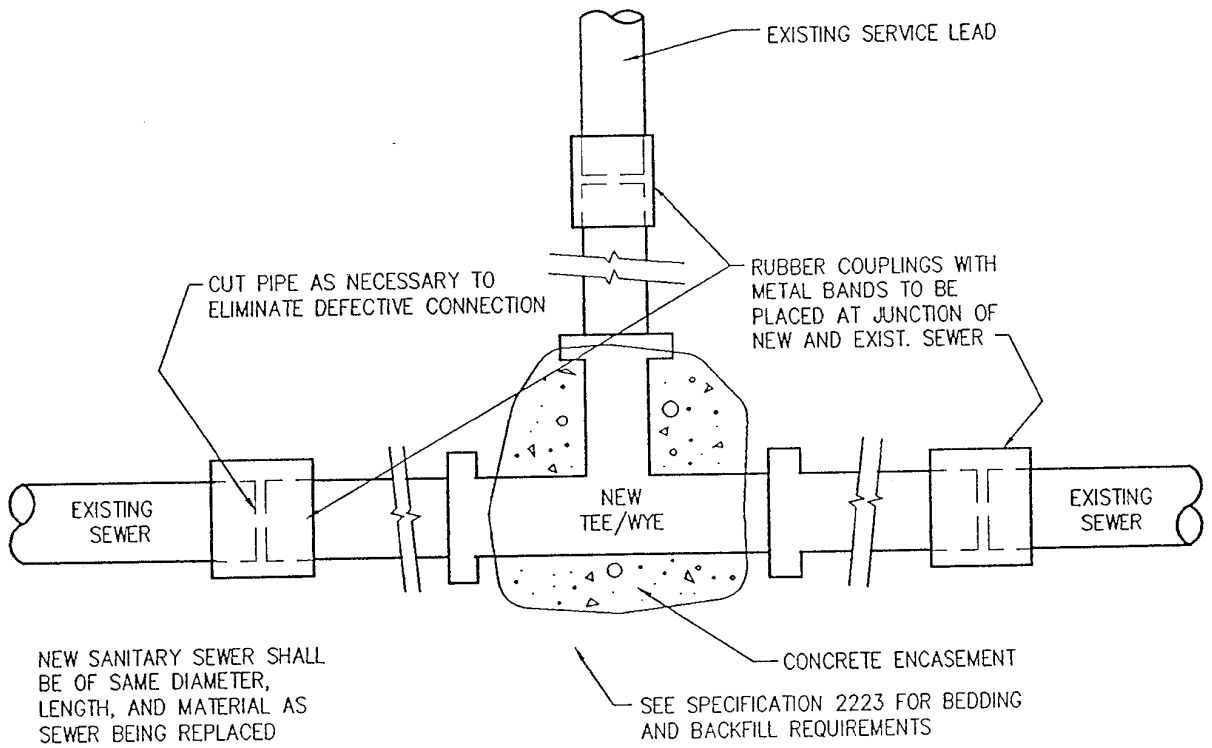
SANITARY SERVICE CONNECTIONS

(PVC PIPE ONLY)
NO SCALE



SANITARY SEWER SERVICE LEAD DETAIL

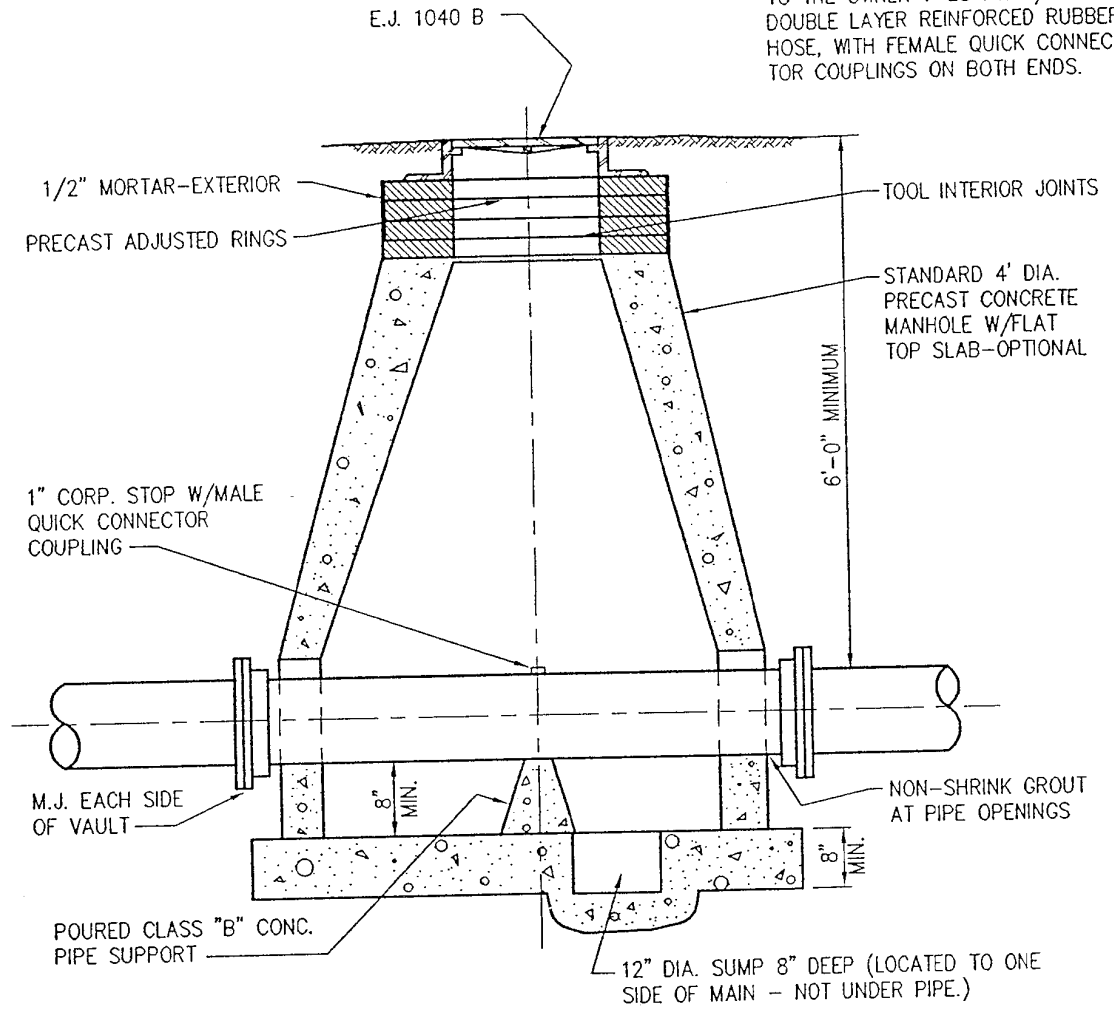
NO SCALE



TEE/WYE REPLACEMENT DETAIL

NO SCALE

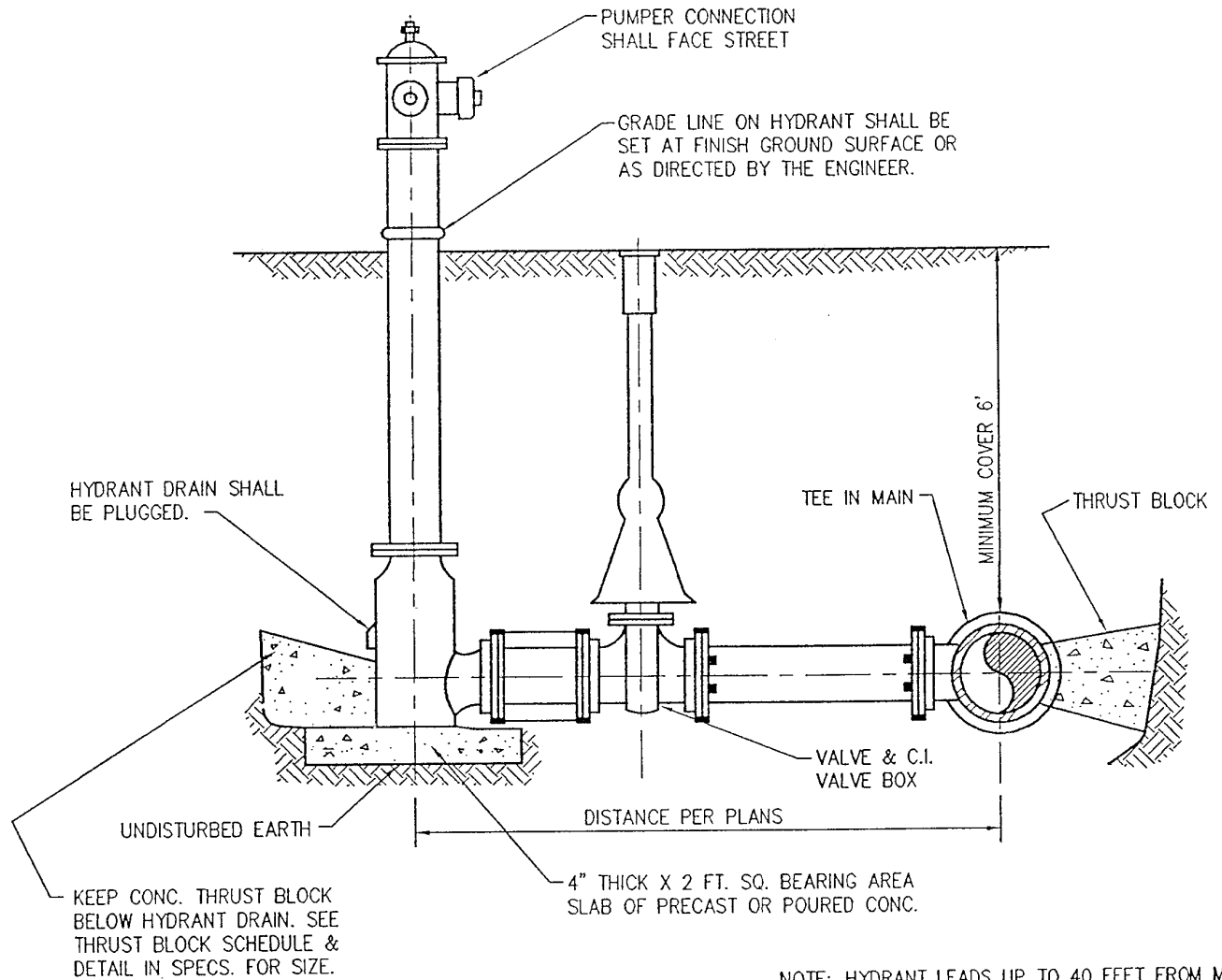
NOTE:
 THE CONTRACTOR SHALL FURNISH
 TO THE OWNER 1-25 FT. 3/4" I.D.
 DOUBLE LAYER REINFORCED RUBBER
 HOSE, WITH FEMALE QUICK CONNEC-
 TOR COUPLINGS ON BOTH ENDS.



SECTION

AIR RELEASE MANHOLE DETAIL

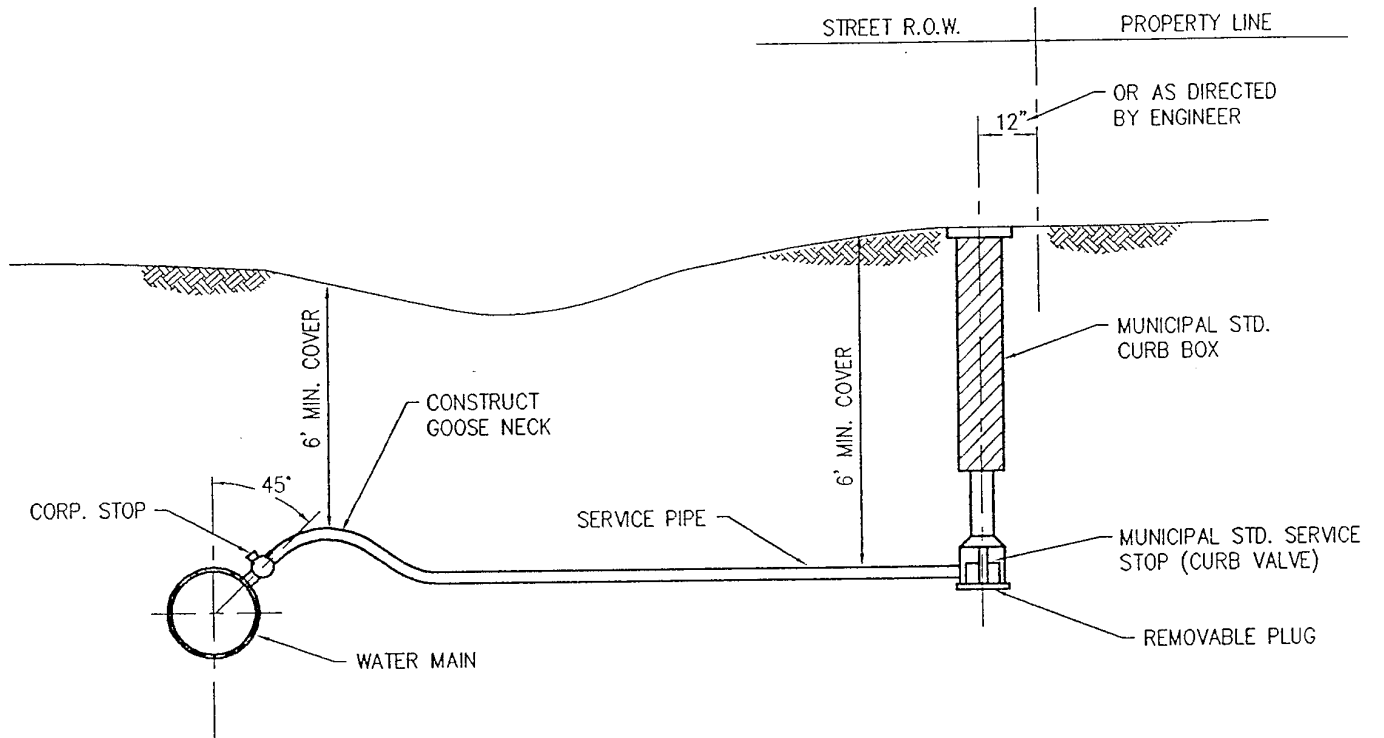
NO SCALE



NOTE: HYDRANT LEADS UP TO 40 FEET FROM MAIN SHALL BE SIX (6) INCH IN DIAMETER; LEADS GREATER THAN 40 FEET SHALL BE EIGHT (8) INCH IN DIAMETER.

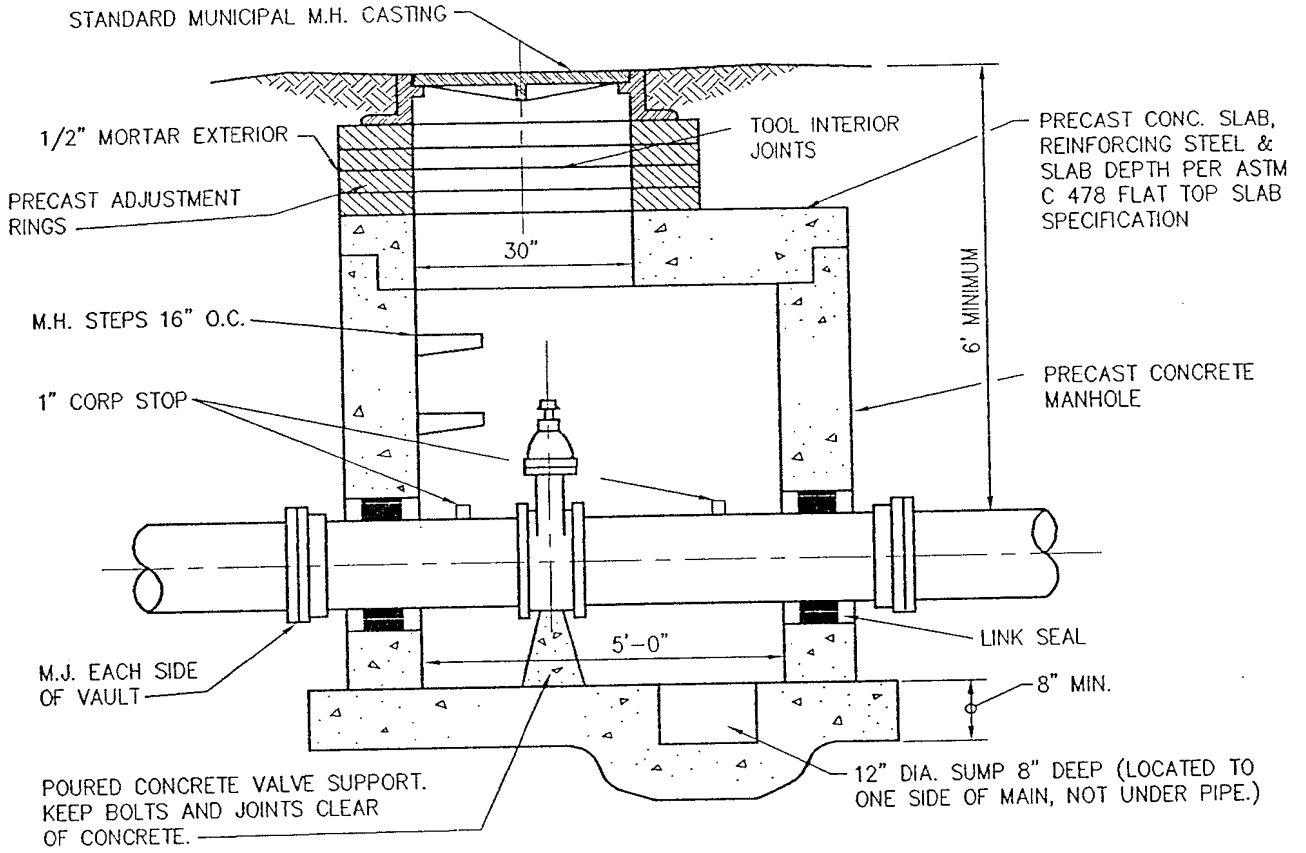
STANDARD HYDRANT ASSEMBLY DETAIL

NO SCALE



WATER SERVICE CONNECTION DETAIL

NO SCALE



SECTION

VALVE MANHOLE DETAIL

NO SCALE