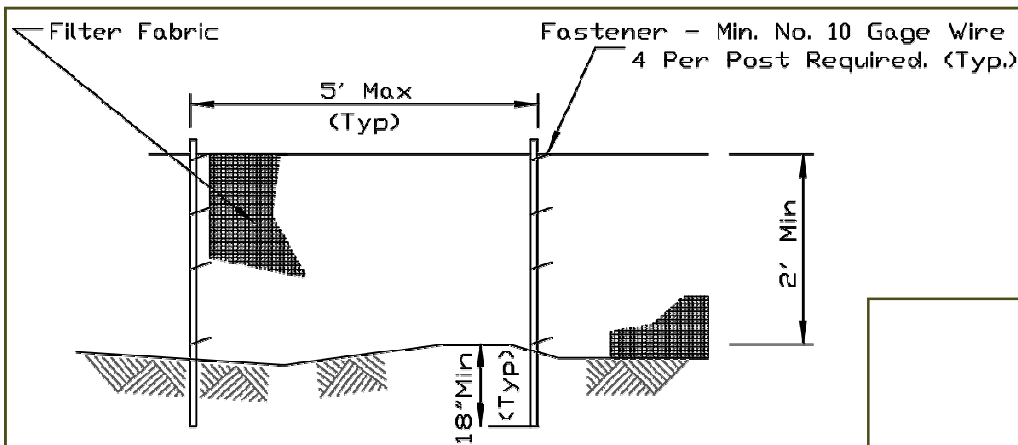


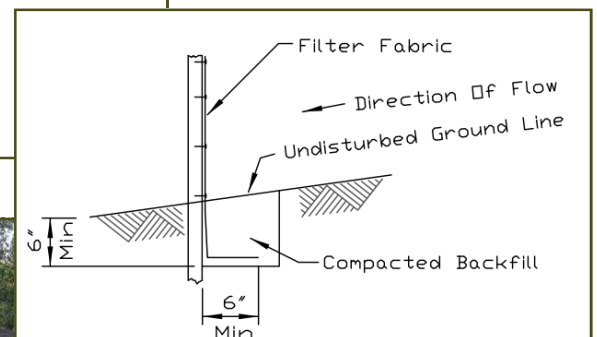


SEDIMENT & EROSION CONTROL MEASURES FOR WINTER

- Ensure proper sediment protection, such as silt fence, is located along all downslopes of property or as shown on the approved plans. Silt fence should be properly trenched in and installed per the manufacturer specifications.
- All soil stockpiles must be stabilized with erosion control blankets, hydro-seed, and/or silt fence surrounding the downslopes of the stockpile.
- All storm inlets must have a geotextile filter fabric secured and anchored to keep any sediment or solids from entering the system.
- All construction entrances must be stabilized with proper stone and be free of any debris. The construction entrance should also be designed to prevent any runoff from entering the roadway area. Sediment that is tracked onto roadway must be cleaned off daily.
- Any disturbance within the road right of way area also requires sediment/erosion control protection.
- **Note that maintenance throughout the winter season is important as heavy snow accumulation and melt off can damage or knock down installed sediment/erosion control measures. Quick repair of system failures will prevent runoff on neighboring properties and eliminate violations for non-compliance of permit conditions.**



Details of properly installed silt fence.



This is a real life example of a properly installed silt fence for the winter.