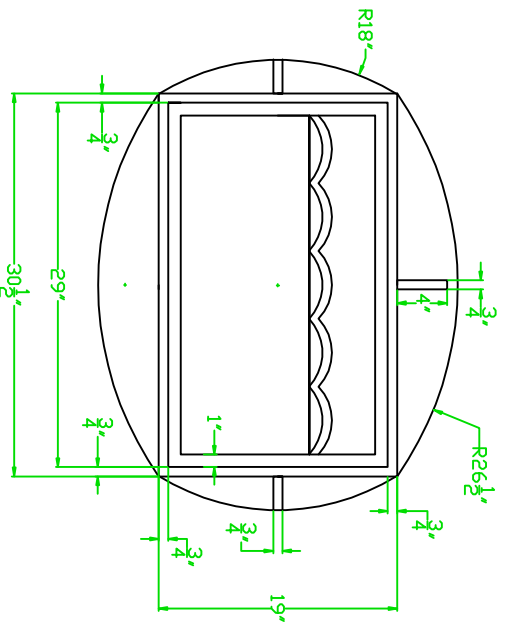


Project Name

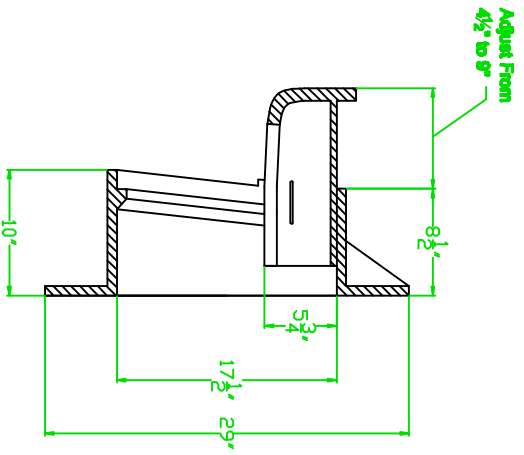
Type 11 Frame & Grate

General Notes

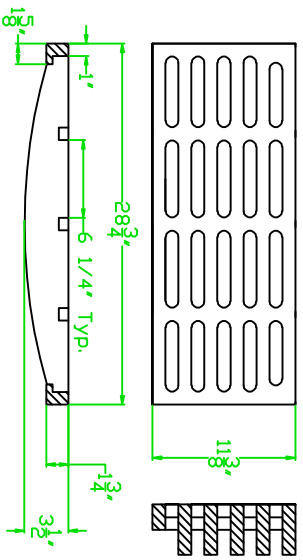
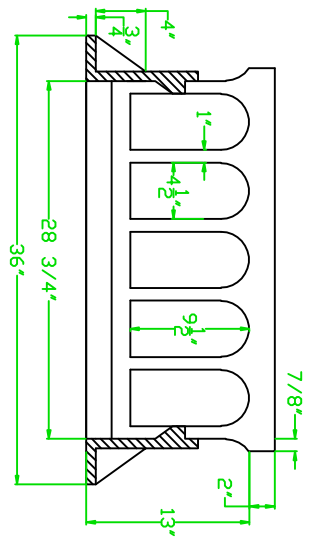
1. THE CAST GRATE MAY BE MADE OF EITHER GRAY IRON OR DUCTILE CONFORMING TO THE STANDARD SPECIFICATIONS. DUCTILE IRON CASTING SHALL BE GRADE 65-45-12.
2. DIMENSIONS FOR FRAME & GRATE ARE COMPARABLE TO NEENAH R-3281-A.
- 3.



Cast Frame (392 lbs)



Cast Grate (108 lbs)



Village of Burr Ridge
Engineering Department
451 Commerce St.
Burr Ridge, IL 60527

Date
5-30-2008

Address