

Project Name

**Type 1 Frame & Lid**

General Notes

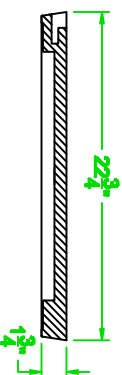
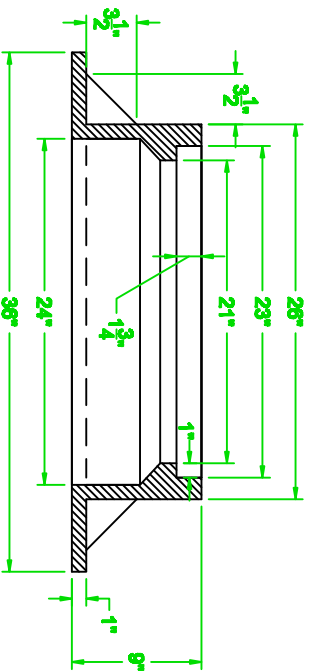
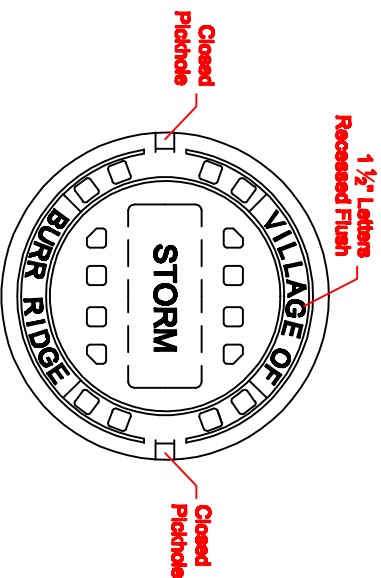
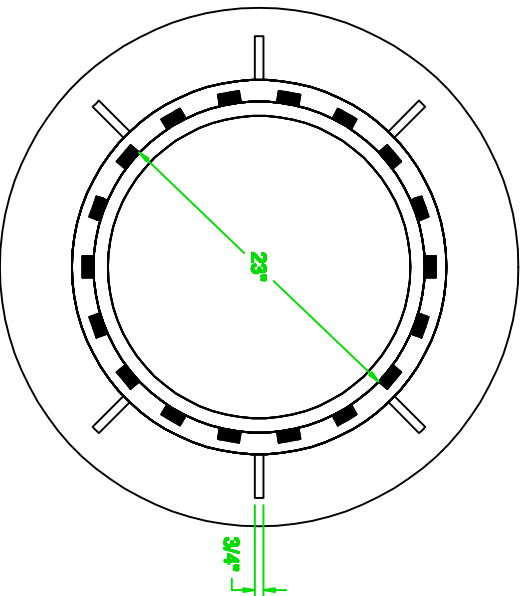
1. DUCTILE IRON CASTING SHALL BE GRADE 60-40-18 AND SHALL BE TESTED IN ACCORDANCE WITH FEDERAL SPECIFICATIONS.
2. ALL LIDS AND COVERS SHALL BE MACHINED.
3. MANHOLE COVERS SHALL HAVE RAISED LETTERS AS SHOWN, AS AN ALTERNATE TO DUCTILE IRON LID, GRAY IRON MAY BE USED.
5. MINIMUM WEIGHTS FOR THE CASTING AS SHOWN.
6. DIMENSIONS FOR CASTINGS ARE COMPARABLE TO EAST JORDAN \*1050 SD OR NEENAH \*R-1712.

Date

6-13-2008

Address

Village of Burr Ridge  
Engineering Department  
451 Commerce St.  
Burr Ridge, IL 60527



**Cast Frame**  
**Gray Iron**  
**Wt. 390 lbs.**

**Ductile Iron Lid**  
**Wt. 115 lbs.**