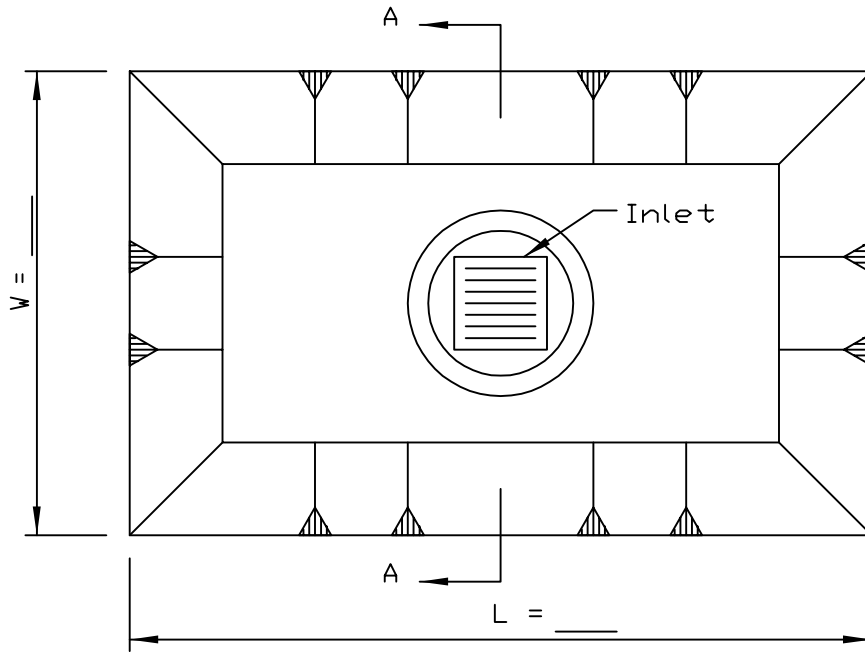
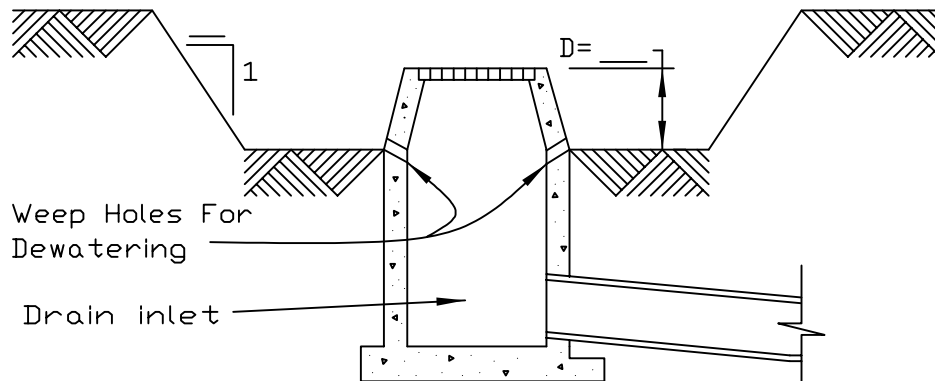


INLET PROTECTION - EXCAVATED DRAIN PLAN



PLAN VIEW



TYPICAL SECTION A-A

NOTES:

1. Sediment shall be removed and the trap restored to its original dimensions when the sediment has accumulated to 1/2 the design depth of the trap. Removed sediment shall be deposited in a suitable area and in such a manner that it will not erode.
2. The sediment trap shall be removed and the area stabilized when the constructed drainage area has been properly stabilized.
3. All cut slopes shall be 2:1 or flatter.

REFERENCE	
Project	_____
Designed	_____ Date _____
Checked	_____ Date _____
Approved	_____ Date _____



STANDARD DWG. NO.
IL-555
SHEET 1 OF 1
DATE 3-11-93