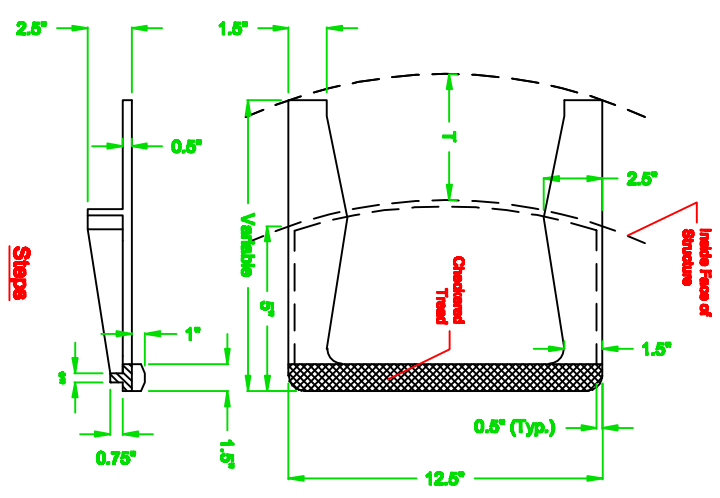
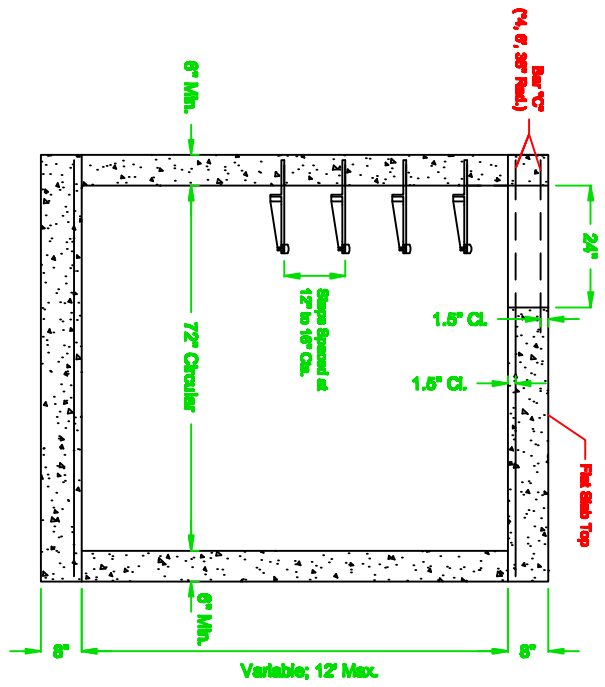
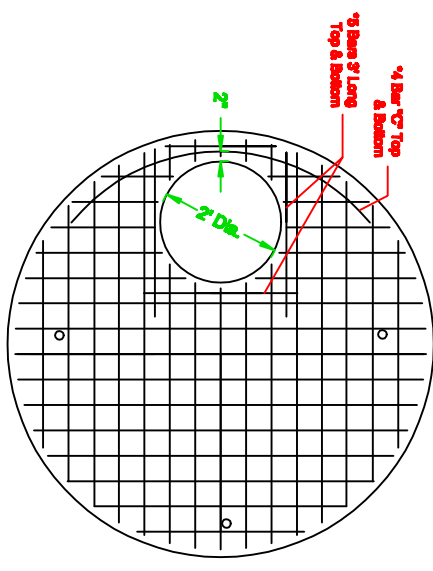
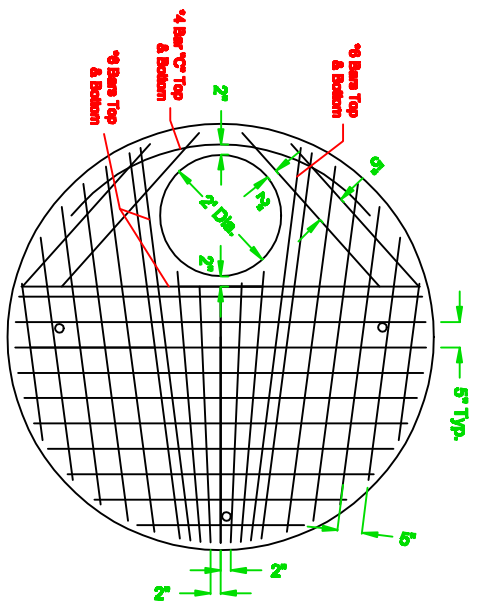


Project Name

Flat Top Manhole

General Notes

FOR INFORMATION ON STEPS, MATERIALS OR ALTERNATE MATERIALS, SEE MANHOLE DETAIL.



Project Name	
Flat Top Manhole	
General Notes	
FOR INFORMATION ON STEPS, MATERIALS OR ALTERNATE MATERIALS, SEE MANHOLE DETAIL.	
Date	6-2-2008
Address	Village of Burr Ridge Engineering Department 451 Commerce St. Burr Ridge, IL 60527