

**FINANCE COMMITTEE MEETING  
6:30 P.M., THURSDAY, SEPTEMBER 13, 2018  
COUNCIL CHAMBERS – BUCKSPORT TOWN OFFICE**

**AGENDA**

- 1. Call meeting to order**
- 2. Roll call**
- 3. Heritage Park Sign**
- 4. Non-municipal agency funding guidelines**
- 5. Adjournment**

**Finance Committee**  
**Peter Stewart**  
**Paul Gauvin**  
**David Kee, Chair**



Lessard, Susan &lt;slessard@bucksportmaine.gov&gt;

---

**Fwd: Heritage Park Sign**

---

**Rich Rotella** <rich.rotella@bucksportmaine.gov>  
To: Sue Lessard <slessard@bucksportmaine.gov>

Thu, Sep 6, 2018 at 2:10 PM

Sue,

Can I get this added to Finance Meeting for next week? This is to replace the existing deteriorating Buckstown Heritage Park sign.

Rich

Sent from my iPhone

Begin forwarded message:

**From:** bannercity <bannercity@roadrunner.com>  
**Date:** September 5, 2018 at 12:51:52 PM EDT  
**To:** "Rotella, Rich" <rich.rotella@bucksportmaine.gov>  
**Subject:** Re: Heritage Park Sign

Hi Rich,

I'm sorry... I thought that I sent this over to you.

We would quote a 6' x 12' sign frame made out of extruded aluminum and finished in a bronze color. This frame will be double sided and have two 3/16" lexan faces with the town information and A side section with tenant names which would be changeable. The sign would fit over the existing posts and be compatible to the existing area. The advantage of this is the sign is that it is reachable for changes and it is weatherproof with a long lasting durability that is maintenance free. The cost of the sign and frame is 6,500.00 complete with imprinted message. The cost would not include the installation or removal and cutting of the existing sign posts.

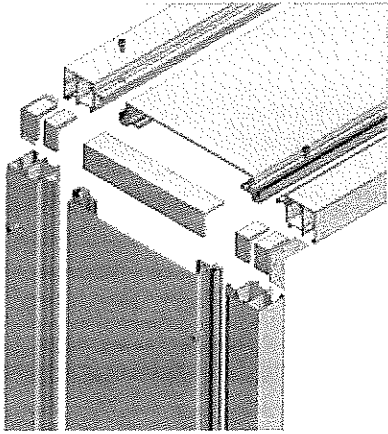
Let us know if this fit the budget and I can work up a layout proof.

Thank you,

Kim Delbridge  
Banner City Graphics  
207-469-6242  
bannercity@roadrunner.com

On Sep 5, 2018, at 8:32 AM, Rotella, Rich <rich.rotella@bucksportmaine.gov> wrote:

Kim,



Good morning. I hope all is well. I was wondering if you had the opportunity to come up with a quote for the sign replacement we had talked about earlier this summer for the Buckstown Heritage Park.

Thanks,

Rich

**Richard Rotella** | Community & Economic Development Director  
Town of Bucksport, Maine | *Incorporated June 25, 1792*  
50 Main Street | P.O. Drawer X | Bucksport, Maine 04416  
207.469.7368 (office) | 207.469.7369 (fax)  
rich.rotella@bucksportmaine.gov | www.bucksportmaine.gov