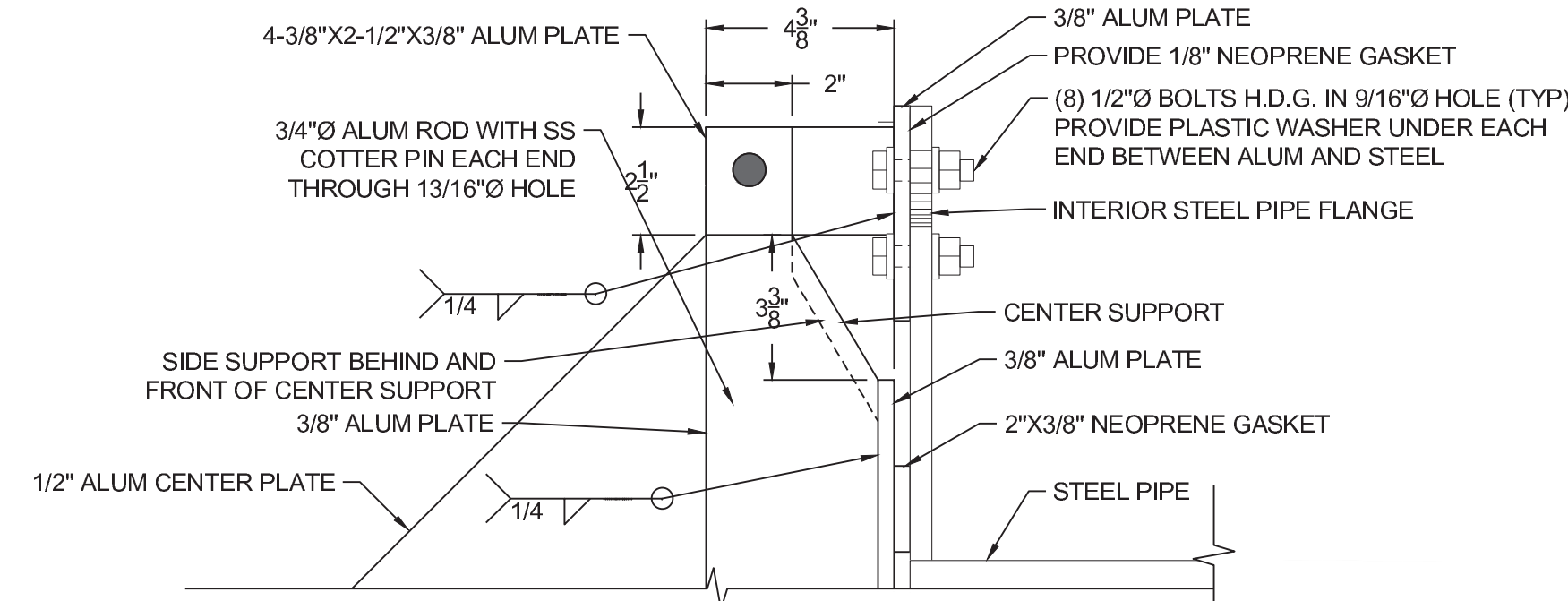
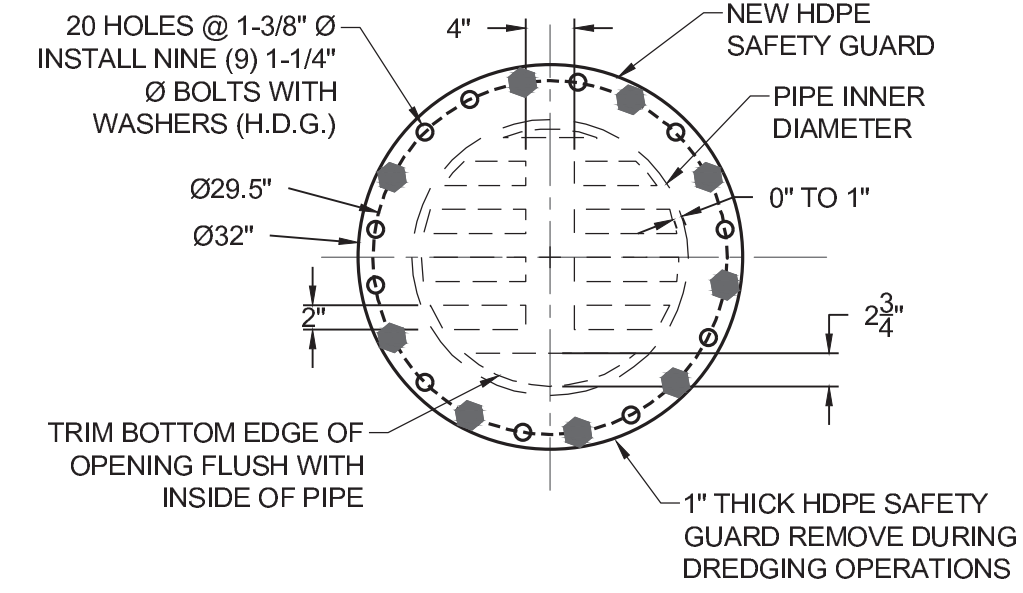


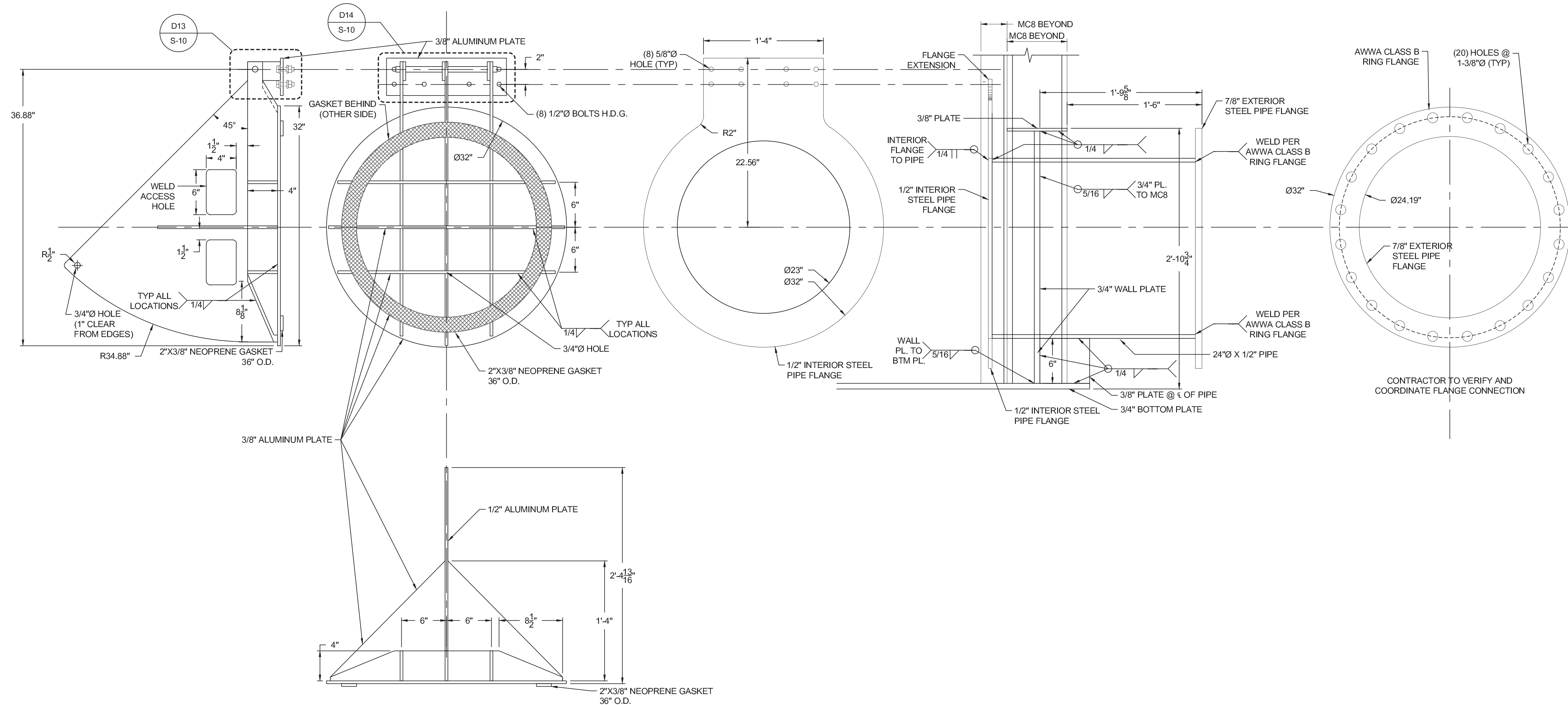
D14  
S-10  
22X34: 3" = 1"  
11X17: 1 1/2" = 1"  
0 3' 6"



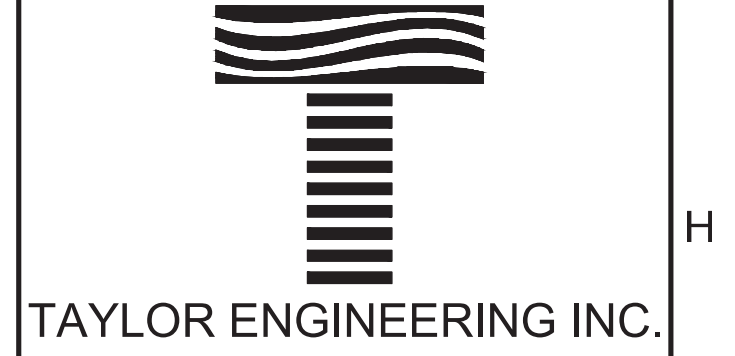
D13  
S-10  
22X34: 3" = 1"  
11X17: 1 1/2" = 1"  
0 3' 6"



E8  
S-2  
22X34: 3/4" = 1"  
11X17: 3/8" = 1"  
0 1' 2"



FLANGE AND FLAP GATE DETAILS  
22X34: 1 1/2" = 1"  
11X17: 3/4" = 1"  
0 1/2' 1"



**TAYLOR ENGINEERING INC.**  
10151 DEERWOOD PARK BLVD  
BLDG 300, SUITE 300  
JACKSONVILLE, FLORIDA 32256  
(904)-731-7040  
1221 AIRPORT ROAD  
SUITE 210  
DESTIN, FL 32541  
(850)-460-7040  
CERTIFICATE OF AUTHORIZATION # 4815

SEAL  
KEITH A. KNIGHT P.E.# 58084  
PROJECT TITLE

**DMMA DU-2 WEIR  
REPLACEMENT  
DUVAL COUNTY, FLORIDA**

SUNSHINE STATE ONE CALL OF  
FLORIDA  
SUNSHINE 811 - ALWAYS CALL 811  
BEFORE YOU DIG  
1-800-638-4097

PROJECT NO	C2015-048
DATE	OCT 2016
DESIGNED	RJD
DRAWN	AF
CHECKED	RMD
REVIEWED	KAK
SCALE	AS SHOWN

DRAWING TITLE  
**STEEL WEIR AND ALUMINUM  
FLAP GATE DETAILS**

**S-10**

SHEET 14 OF 16

ANTON FLEWELLING, 10/12/2016 4:15:25 PM, X:\proj\2015-048\_FND Nassau Reach 1\Construction\DU-2 Weir\2015-048-C\Weir Details 7.dwg